

GENERAL INFORMATION

GI

MA

EM

LC

EC

FE

GL

MT

AT

AX

SU

BR

ST

RS

BT

HA

SC

EL

IDX

SECTION GI

CONTENTS

PRECAUTIONS	3	HOW TO PERFORM EFFICIENT DIAGNOSIS FOR AN ELECTRICAL INCIDENT	24
Precautions	3	Work Flow	24
PRECAUTIONS FOR SUPPLEMENTAL RESTRAINT SYSTEM (SRS) "AIR BAG" AND "SEAT BELT PRE-TENSIONER"	3	Incident Simulation Tests	25
PRECAUTIONS FOR NVIS (NISSAN VEHICLE IMMOBILIZER SYSTEM - NATS)	3	INTRODUCTION	25
GENERAL PRECAUTIONS	4	VEHICLE VIBRATION	25
PRECAUTIONS FOR MULTIPOINT FUEL INJECTION SYSTEM OR ENGINE CONTROL SYSTEM	6	HEAT SENSITIVE	26
PRECAUTIONS FOR THREE WAY CATALYST	6	FREEZING	26
PRECAUTIONS FOR HOSES	6	WATER INTRUSION	27
PRECAUTIONS FOR ENGINE OILS	7	ELECTRICAL LOAD	27
PRECAUTIONS FOR FUEL	8	COLD OR HOT START UP	27
PRECAUTIONS FOR AIR CONDITIONING	8	Circuit Inspection	27
HOW TO USE THIS MANUAL	9	INTRODUCTION	27
HOW TO READ WIRING DIAGRAMS	11	TESTING FOR "OPENS" IN THE CIRCUIT	28
Sample/Wiring Diagram - EXAMPL -	11	TESTING FOR "SHORTS" IN THE CIRCUIT	29
OPTIONAL SPLICE	12	GROUND INSPECTION	30
CONTROL UNIT TERMINALS AND REFERENCE VALUE CHART	13	VOLTAGE DROP TESTS	30
Description	14	CONTROL UNIT CIRCUIT TEST	32
CONNECTOR SYMBOLS	16	HOW TO FOLLOW TROUBLE DIAGNOSES	34
SWITCH POSITIONS	17	How to Follow Test Groups in Trouble Diagnoses	35
DETECTABLE LINES AND NON-DETECTABLE LINES	17	Harness Wire Color and Connector Number Indication	36
MULTIPLE SWITCH	18	TYPE 1: HARNESS WIRE COLOR AND CONNECTOR NUMBER ARE SHOWN IN ILLUSTRATION	36
REFERENCE AREA	19	TYPE 2: HARNESS WIRE COLOR AND CONNECTOR NUMBER ARE SHOWN IN TEXT	36
HOW TO CHECK TERMINAL	21	Key to Symbols Signifying Measurements or Procedures	37
Connector and Terminal Pin Kit	21	CONSULT-II CHECKING SYSTEM	39
How to Probe Connectors	21	Function and System Application	39
PROBING FROM HARNESS SIDE	21	Nickel Metal Hydride Battery Replacement	40
PROBING FROM TERMINAL SIDE	21	Checking Equipment	40
How to Check Enlarged Contact Spring of Terminal	22	CONSULT-II Start Procedure	41
Waterproof Connector Inspection	23	CONSULT-II Data Link Connector (DLC) Circuit	42
RUBBER SEAL INSPECTION	23	INSPECTION PROCEDURE	42
WIRE SEAL INSPECTION	23	IDENTIFICATION INFORMATION	43
Terminal Lock Inspection	23	Model Variation	43
		PREFIX AND SUFFIX DESIGNATIONS	43
		Identification Number	44

CONTENTS (Cont'd)

VEHICLE IDENTIFICATION NUMBER		Garage Jack and Safety Stand	48
ARRANGEMENT	44	2-pole Lift	49
IDENTIFICATION PLATE.....	45	Tow Truck Towing	50
ENGINE SERIAL NUMBER.....	45	VEHICLE RECOVERY (FREEING A STUCK	
AUTOMATIC TRANSAXLE NUMBER	45	VEHICLE).....	50
MANUAL TRANSAXLE NUMBER.....	45	TIGHTENING TORQUE OF STANDARD BOLTS	51
Dimensions	46	RECOMMENDED CHEMICAL PRODUCTS AND	
Wheels and Tires.....	46	SEALANTS	52
LIFTING POINTS AND TOW TRUCK TOWING	47	SAE J1930 TERMINOLOGY LIST	53
Preparation	47	SAE J1930 Terminology List	53
SPECIAL SERVICE TOOLS	47		
Board-on Lift	47		

Precautions

Observe the following precautions to ensure safe and proper servicing. These precautions are not described in each individual section.

NFG10001

GI

MA

EM

LC

EC

FE

CL

MT

AT

AX

SU

BR

ST

RS

BT

HA

SC

EL

IDX



PRECAUTIONS FOR SUPPLEMENTAL RESTRAINT SYSTEM (SRS) “AIR BAG” AND “SEAT BELT PRE-TENSIONER”

NFG10001S01

The Supplemental Restraint System such as “AIR BAG” and “SEAT BELT PRE-TENSIONER” used along with a seat belt, helps to reduce the risk or severity of injury to the driver and front passenger for certain types of collision. The SRS system composition which is available to NISSAN MODEL A33 is as follows:

- For a frontal collision
The Supplemental Restraint System consists of driver air bag module (located in the center of the steering wheel), front passenger air bag module (located on the instrument panel on passenger side), seat belt pre-tensioners, a diagnosis sensor unit, crash zone sensor, warning lamp, wiring harness and spiral cable.
- For a side collision
The Supplemental Restraint System consists of front side air bag module (located in the outer side of front seat), satellite sensor, diagnosis sensor unit (one of components of air bags for a frontal collision), wiring harness, warning lamp (one of components of air bags for a frontal collision).

Information necessary to service the system safely is included in the **RS section** of this Service Manual.

WARNING:

- To avoid rendering the SRS inoperative, which could increase the risk of personal injury or death in the event of a collision which would result in air bag inflation, all maintenance should be performed by an authorized NISSAN dealer.
- Improper maintenance, including incorrect removal and installation of the SRS, can lead to personal injury caused by unintentional activation of the system. For removal of Spiral Cable and Air Bag Module, see the RS section.
- Do not use electrical test equipment on any circuit related to the SRS unless instructed to in this Service Manual. SRS wiring harnesses can be identified by yellow harness connector.

PRECAUTIONS FOR NVIS (NISSAN VEHICLE IMMOBILIZER SYSTEM — NATS)

NFG10001S02

NVIS (NATS) will immobilize the engine if someone tries to start it without the registered key of NVIS (NATS).

Both of the originally supplied ignition key IDs have been NVIS (NATS) registered.

PRECAUTIONS

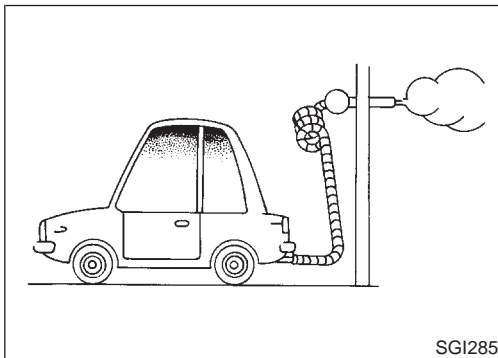
Precautions (Cont'd)

The security indicator is located on the instrument panel. The indicator blinks when the ignition switch is in "OFF" or "ACC" position. Therefore, NVIS (NATS) warns outsiders that the vehicle is equipped with the anti-theft system.

- When NVIS (NATS) detects malfunction, the security indicator lamp lights up while ignition switch is in "ON" position. This lighting up indicates that the anti-theft is not functioning, so prompt service is required.
- When servicing NVIS (NATS) (trouble diagnoses, system initialization and additional registration of other NVIS (NATS) ignition key IDs), CONSULT-II hardware and CONSULT-II NVIS (NATS) software is necessary. Regarding the procedures of NVIS (NATS) initialization and NVIS (NATS) ignition key ID registration, refer to CONSULT-II operation manual, NVIS (NATS).

Therefore, CONSULT-II NVIS (NATS) software (program card and operation manual) must be kept strictly confidential to maintain the integrity of the anti-theft function.

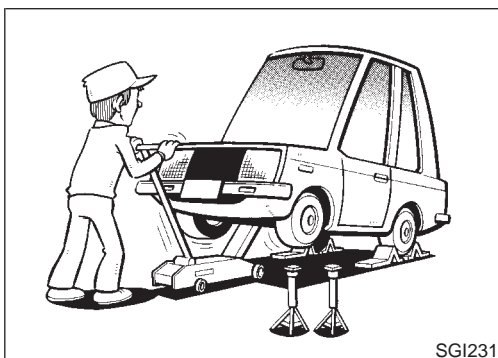
- When servicing NVIS (NATS) (trouble diagnoses, system initialization and additional registration of other NVIS (NATS) ignition key IDs), it may be necessary to re-register original key identification. Therefore, be sure to receive all keys from vehicle owner. A maximum of five key IDs can be registered into NVIS (NATS).
- When failing to start the engine first time using the key of NVIS (NATS), start as follows.
 - a) Leave the ignition key in "ON" position for approximately 5 seconds.
 - b) Turn ignition key to "OFF" or "LOCK" position and wait approximately 5 seconds.
 - c) Repeat step 1 and 2 again.
 - d) Restart the engine while keeping the key separate from any others on key-chain.



GENERAL PRECAUTIONS

NFG10001S03

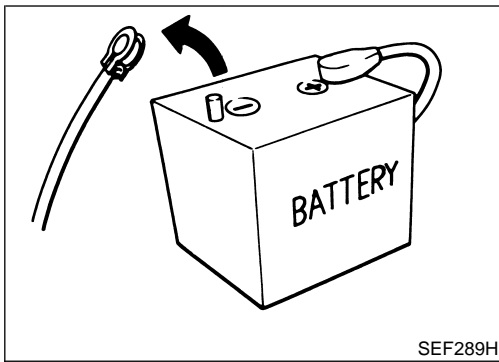
- Do not operate the engine for an extended period of time without proper exhaust ventilation. Keep the work area well ventilated and free of any inflammable materials. Special care should be taken when handling any inflammable or poisonous materials, such as gasoline, refrigerant gas, etc. When working in a pit or other enclosed area, be sure to properly ventilate the area before working with hazardous materials. Do not smoke while working on the vehicle.



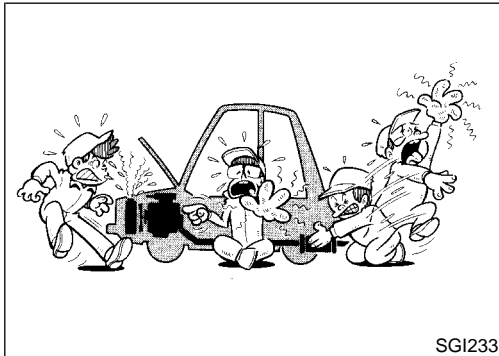
- Before jacking up the vehicle, apply wheel chocks or other tire blocks to the wheels to prevent the vehicle from moving. After jacking up the vehicle, support the vehicle weight with safety stands at the points designated for proper lifting before working on the vehicle. These operations should be done on a level surface.
- When removing a heavy component such as the engine or transaxle, be careful not to lose your balance and drop them. Also, do not allow them to strike adjacent parts, especially the brake tubes and master cylinder.

PRECAUTIONS

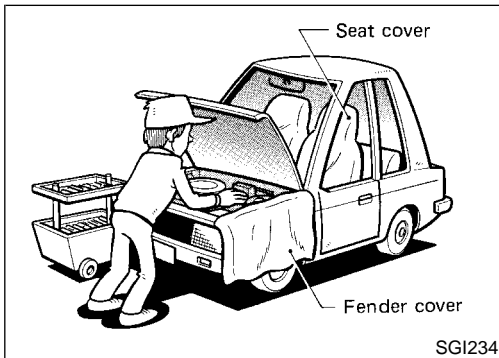
Precautions (Cont'd)



- Before starting repairs which do not require battery power:
Turn off ignition switch.
Disconnect the negative battery terminal.



- To prevent serious burns:
Avoid contact with hot metal parts.
Do not remove the radiator cap when the engine is hot.



- Before servicing the vehicle:
Protect fenders, upholstery and carpeting with appropriate covers.
Take caution that keys, buckles or buttons do not scratch paint.

- Clean all disassembled parts in the designated liquid or solvent prior to inspection or assembly.
- Replace oil seals, gaskets, packings, O-rings, locking washers, cotter pins, self-locking nuts, etc. with new ones.
- Replace inner and outer races of tapered roller bearings and needle bearings as a set.
- Arrange the disassembled parts in accordance with their assembled locations and sequence.
- Do not touch the terminals of electrical components which use microcomputers (such as ECMs).
Static electricity may damage internal electronic components.
- After disconnecting vacuum or air hoses, attach a tag to indicate the proper connection.
- Use only the fluids and lubricants specified in this manual.
- Use approved bonding agent, sealants or their equivalents when required.
- Use tools and recommended special tools where specified for safe and efficient service repairs.
- When repairing the fuel, oil, water, vacuum or exhaust systems, check all affected lines for leaks.
- Dispose of drained oil or the solvent used for cleaning parts in an appropriate manner.

GI

MA

EM

LC

EC

FE

CL

MT

AT

AX

SU

BR

ST

RS

BT

HA

SC

EL

IDX

PRECAUTIONS

Precautions (Cont'd)

Do not attempt to top off the fuel tank after the fuel pump nozzle shuts off automatically. Continued refueling may cause fuel overflow, resulting in fuel spray and possibly a fire.

WARNING:

To prevent ECM from storing the diagnostic trouble codes, do not carelessly disconnect the harness connectors which are related to the engine control system and TCM (Transmission Control Module) system. The connectors should be disconnected only when working according to the WORK FLOW of TROUBLE DIAGNOSES in EC and AT sections.



PRECAUTIONS FOR MULTIPOINT FUEL INJECTION SYSTEM OR ENGINE CONTROL SYSTEM

NFG10001S04

- Before connecting or disconnecting any harness connector for the multipoint fuel injection system or ECM:
Turn ignition switch to "OFF" position.
Disconnect negative battery terminal.
Otherwise, there may be damage to ECM.
- Before disconnecting pressurized fuel line from fuel pump to injectors, be sure to release fuel pressure.
- Be careful not to jar components such as ECM and mass air flow sensor.

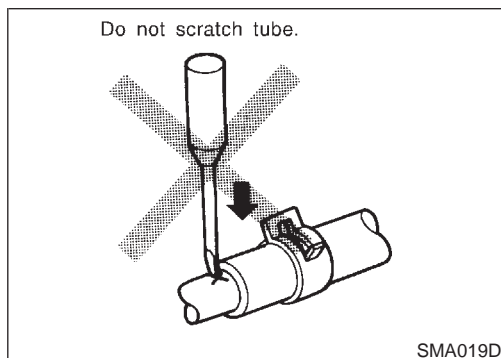
PRECAUTIONS FOR THREE WAY CATALYST

NFG10001S05

If a large amount of unburned fuel flows into the catalyst, the catalyst temperature will be excessively high. To prevent this, follow the instructions below:

- Use unleaded gasoline only. Leaded gasoline will seriously damage the three way catalyst.
- When checking for ignition spark or measuring engine compression, make tests quickly and only when necessary.
- Do not run engine when the fuel tank level is low, otherwise the engine may misfire, causing damage to the catalyst.

Do not place the vehicle on flammable material. Keep flammable material off the exhaust pipe and the three way catalyst.



PRECAUTIONS FOR HOSES

NFG10001S06

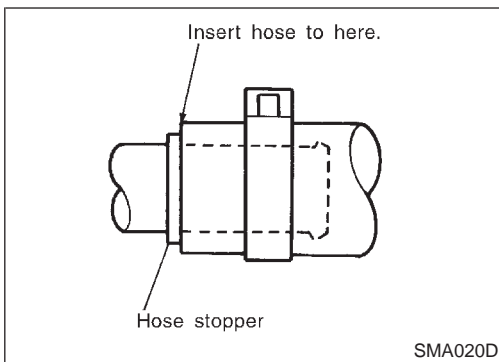
Hose Removal and Installation

NFG10001S0601

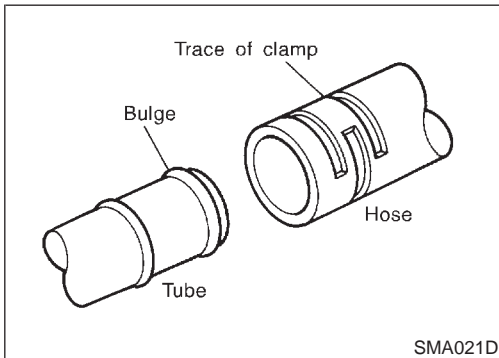
- To prevent damage to rubber hose, do not pry off rubber hose with tapered tool or screwdriver.

PRECAUTIONS

Precautions (Cont'd)

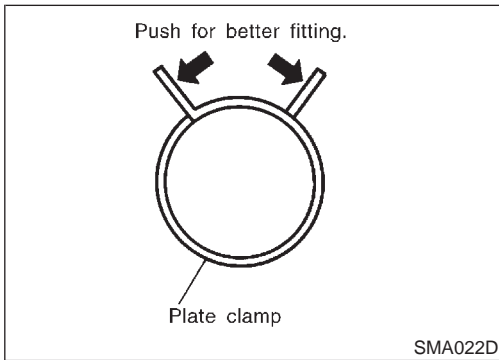


- To reinstall the rubber hose securely, make sure of hose insertion length and clamp orientation. (If tube is equipped with hose stopper, insert rubber hose into tube until it butts up against hose stopper.)



Hose Clamping

- If old rubber hose is re-used, install hose clamp in its original position (at the indentation where the old clamp was). If there is a trace of tube bulging left on the old rubber hose, align rubber hose at that position. NFG10001S0602
- Discard old clamps; replace with new ones.



- After installing leaf spring clamps, apply force to them in the direction of the arrow, tightening rubber hose equally all around.

PRECAUTIONS FOR ENGINE OILS

Prolonged and repeated contact with used engine oil may cause skin cancer. Try to avoid direct skin contact with used oil. If skin contact is made, wash thoroughly with soap or hand cleaner as soon as possible. NFG10001S07

Health Protection Precautions

- Avoid prolonged and repeated contact with oils, particularly used engine oils. NFG10001S0701
- Wear protective clothing, including impervious gloves where practicable.
- Do not put oily rags in pockets.
- Avoid contaminating clothes, particularly underclothing, with oil.
- Heavily soiled clothing and oil-impregnated footwear should not be worn. Overalls must be cleaned regularly.
- First Aid treatment should be obtained immediately for open cuts and wounds.
- Use barrier creams, applying them before each work period, to help the removal of oil from the skin.
- Wash with soap and water to ensure all oil is removed (skin cleansers and nail brushes will help). Preparations containing lanolin replace the natural skin oils which have been removed.

GI

MA

EM

LC

EC

FE

CL

MT

AT

AX

SU

BR

ST

RS

BT

HA

SC

EL

IDX

PRECAUTIONS

Precautions (Cont'd)

- Do not use gasoline, kerosine, diesel fuel, gas oil, thinners or solvents for cleaning skin.
- If skin disorders develop, obtain medical advice without delay.
- Where practicable, degrease components prior to handling.
- Where there is a risk of eye contact, eye protection should be worn, for example, chemical goggles or face shields; in addition an eye wash facility should be provided.

Environmental Protection Precautions

NFG10001S0702

Burning used engine oil in small space heaters or boilers can be recommended only for units of approved design. The heating system must meet the requirements of HM Inspectorate of Pollution for small burners of less than 0.4 MW. If in doubt, check with the appropriate local authority and/or manufacturer of the approved appliance.

Dispose of used oil and used oil filters through authorized waste disposal contractors to licensed waste disposal sites, or to the waste oil reclamation trade. If in doubt, contact the local authority for advice on disposal facilities.

It is illegal to pour used oil on to the ground, down sewers or drains, or into water courses.

The regulations concerning the pollution vary between regions.

PRECAUTIONS FOR FUEL

NFG10001S08

Use unleaded regular gasoline with an octane rating of at least 87 AKI (Anti-Knock Index) number (Research octane number 91).

For improved vehicle performance, NISSAN/INFINITI recommend the use of unleaded premium gasoline with an octane rating of at least 91 AKI number (Research octane number 96).

CAUTION:

Do not use leaded gasoline. Using leaded gasoline will damage the three way catalyst.

Using a fuel other than that specified could adversely affect the emission control devices and systems, and could also affect the warranty coverage validity.

PRECAUTIONS FOR AIR CONDITIONING

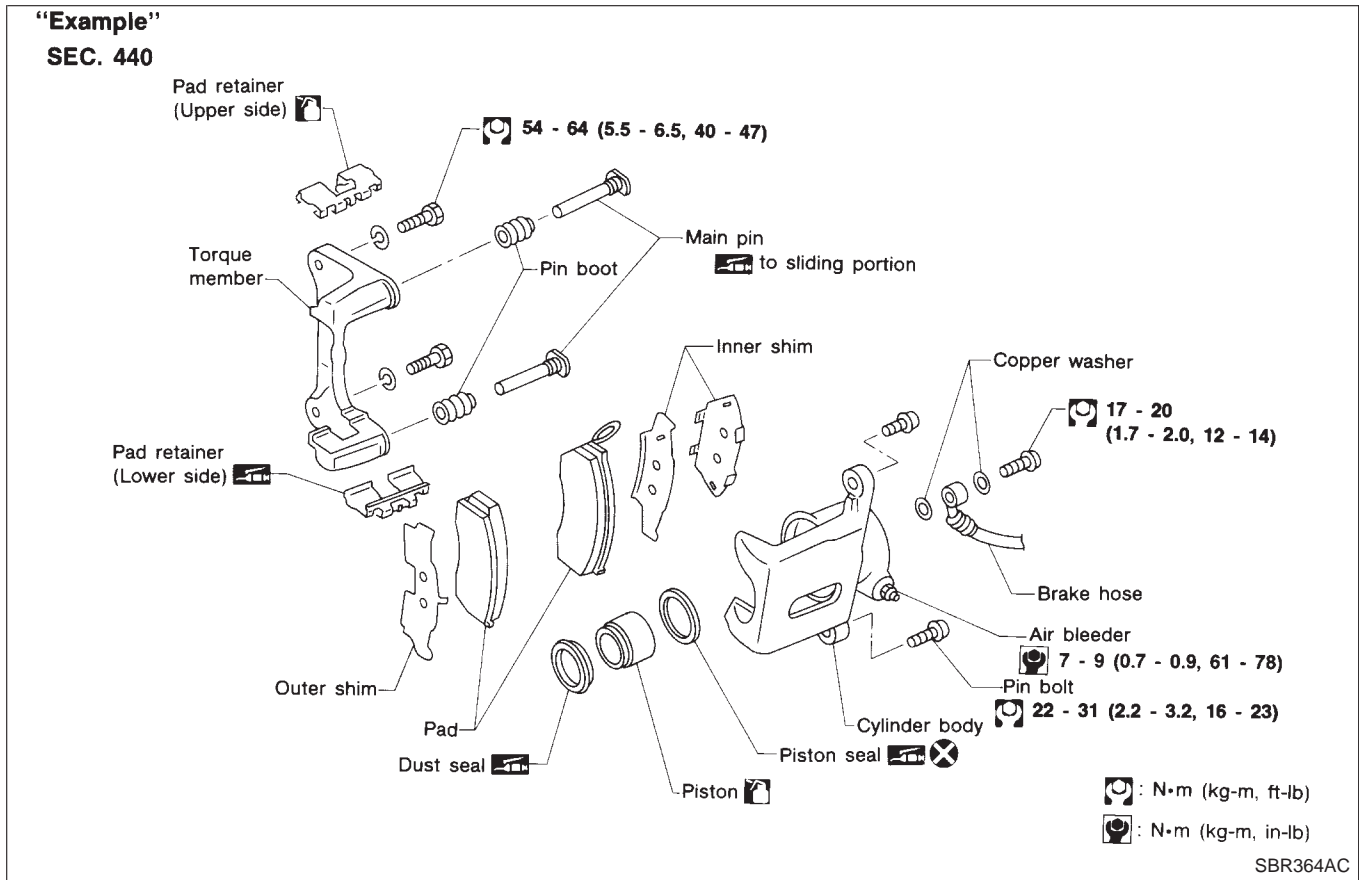
NFG10001S09

Use an approved refrigerant recovery unit any time the air conditioning system must be discharged. Refer to HA section ("HFC-134a (R-134a) Service Procedure", "SERVICE PROCEDURES") for specific instructions.

HOW TO USE THIS MANUAL

- The captions **WARNING** and **CAUTION** warn you of steps that must be followed to prevent personal injury and/or damage to some part of the vehicle.
WARNING indicates the possibility of personal injury if instructions are not followed.
CAUTION indicates the possibility of component damage if instructions are not followed.
BOLD TYPED STATEMENTS except **WARNING** and **CAUTION** give you helpful information.
- **ALPHABETICAL INDEX** is provided at the end of this manual so that you can rapidly find the item and page you are searching for.
- **A QUICK REFERENCE INDEX**, a black tab (e.g. **BR**) is provided on the first page. You can quickly find the first page of each section by matching it to the section's black tab.
- **THE CONTENTS** are listed on the first page of each section.
- **THE TITLE** is indicated on the upper portion of each page and shows the part or system.
- **THE PAGE NUMBER** of each section consists of two letters which designate the particular section and a number (e.g. "BR-5").
- **THE LARGE ILLUSTRATIONS** are exploded views (See below.) and contain tightening torques, lubrication points, section number of the **PARTS CATALOG** (e.g. SEC. 440) and other information necessary to perform repairs.
 The illustrations should be used in reference to service matters only. When ordering parts, refer to the appropriate **PARTS CATALOG**.

GI
MA
EM
LC
EC
FE
CL
MT
AT
AX
SU
BR
ST
RS
BT
HA
SC
EL
IDX



- **THE SMALL ILLUSTRATIONS** show the important steps such as inspection, use of special tools, knacks of work and hidden or tricky steps which are not shown in the previous large illustrations. Assembly, inspection and adjustment procedures for the complicated units such as the automatic transaxle or transmission, etc. are presented in a step-by-step format where necessary.
- The **UNITS** given in this manual are primarily expressed as the SI UNIT (International System of Unit), and alternatively expressed in the metric system and in the yard/pound system.

"Example"











Tightening torque:

59 - 78 N•m (6.0 - 8.0 kg-m, 43 - 58 ft-lb)

- **TROUBLE DIAGNOSES** are included in sections dealing with complicated components.

HOW TO USE THIS MANUAL

- **SERVICE DATA AND SPECIFICATIONS** are contained at the end of each section for quick reference of data.
- The following **SYMBOLS AND ABBREVIATIONS** are used:

SYMBOL	ABBREVIATION	SYMBOL	ABBREVIATION
 	Tightening torque	2WD	2-Wheel Drive
	Should be lubricated with grease. Unless otherwise indicated, use recommended multi-purpose grease.	A/C	Air Conditioner
	Should be lubricated with oil.	P/S	Power Steering
	Sealing point	SST	Special Service Tools
	Checking point	SAE	Society of Automotive Engineers, Inc.
	Always replace after every disassembly.	ATF	Automatic Transmission Fluid
 	Apply petroleum jelly.	D ₁	Drive range 1st gear
	Apply ATF.	D ₂	Drive range 2nd gear
★	Select with proper thickness.	D ₃	Drive range 3rd gear
☆	Adjustment is required.	D ₄	Drive range 4th gear
SDS	Service Data and Specifications	OD	Overdrive
LH, RH	Left-Hand, Right-Hand	2 ₂	2nd range 2nd gear
FR, RR	Front, Rear	2 ₁	2nd range 1st gear
M/T	Manual Transaxle/Transmission	1 ₂	1st range 2nd gear
A/T	Automatic Transaxle/Transmission	1 ₁	1st range 1st gear

HOW TO READ WIRING DIAGRAMS

Sample/Wiring Diagram — EXAMPL —

Sample/Wiring Diagram — EXAMPL —

NFGI0003S01

- For Description, refer to GI-14.

GI-EXAMPL-02

18

GI

MA

EM

LC

EC

FE

CL

MT

AT

AX

SU

BR

ST

RS

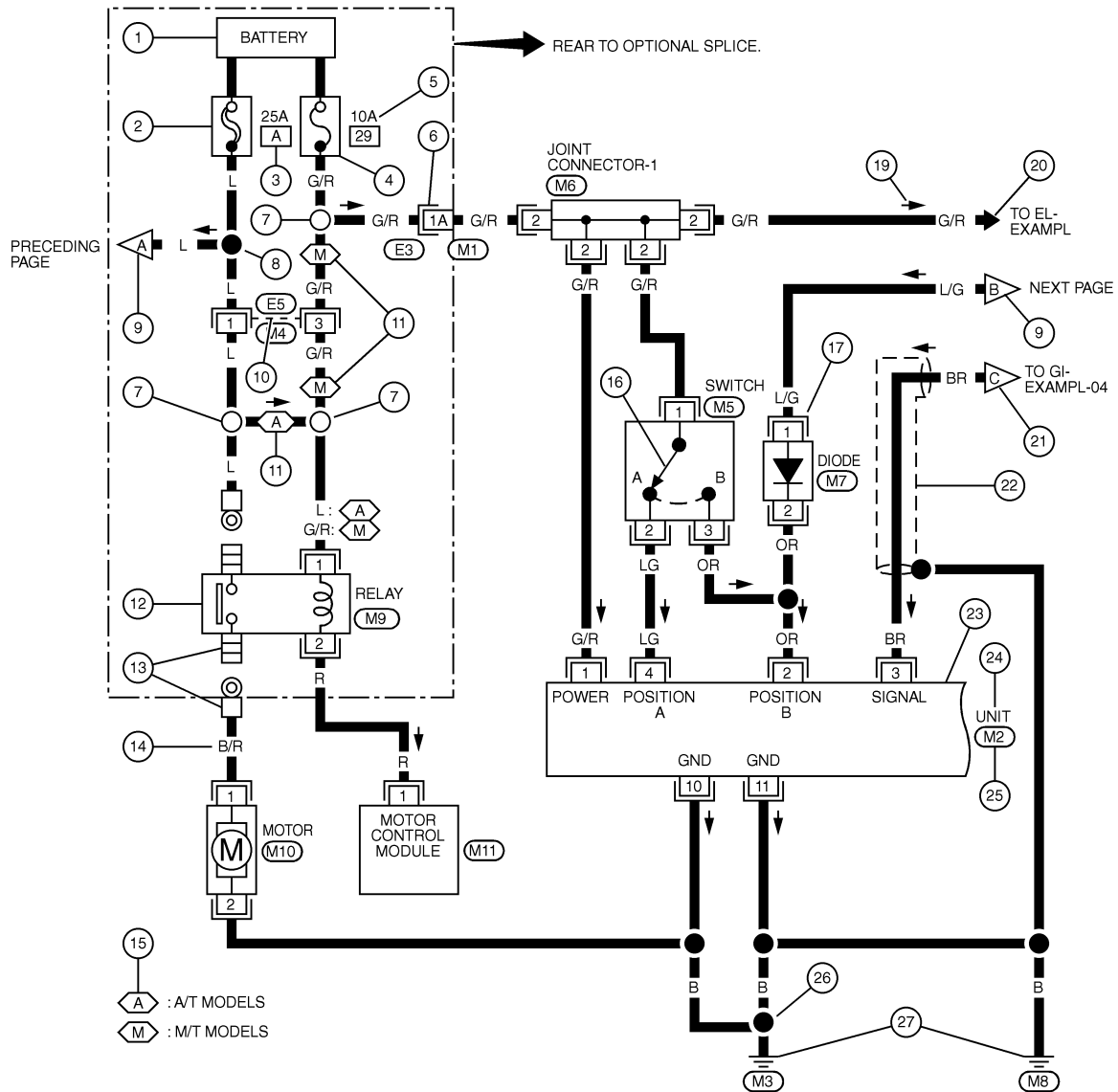
BT

HA

SC

EL

IDX



PRECEDING PAGE

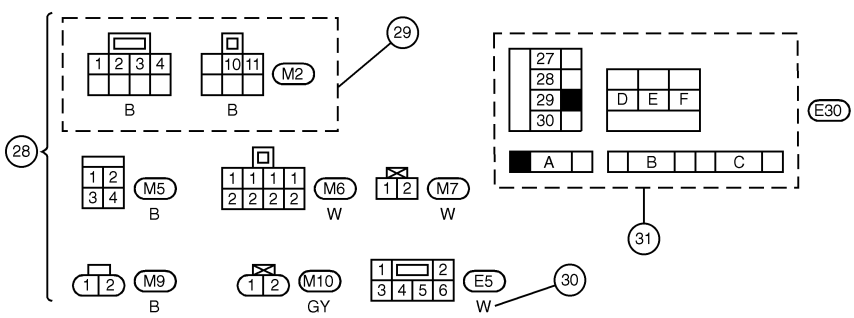
REAR TO OPTIONAL SPLICE.

TO EL-EXAMPL

NEXT PAGE

TO GI-EXAMPL-04

A : A/T MODELS
 M : M/T MODELS



REFER TO THE FOLLOWING.

- (E3) - SUPER MULTIPLE JUNCTION (SMJ)
- (M11) - ELECTRICAL UNITS

32

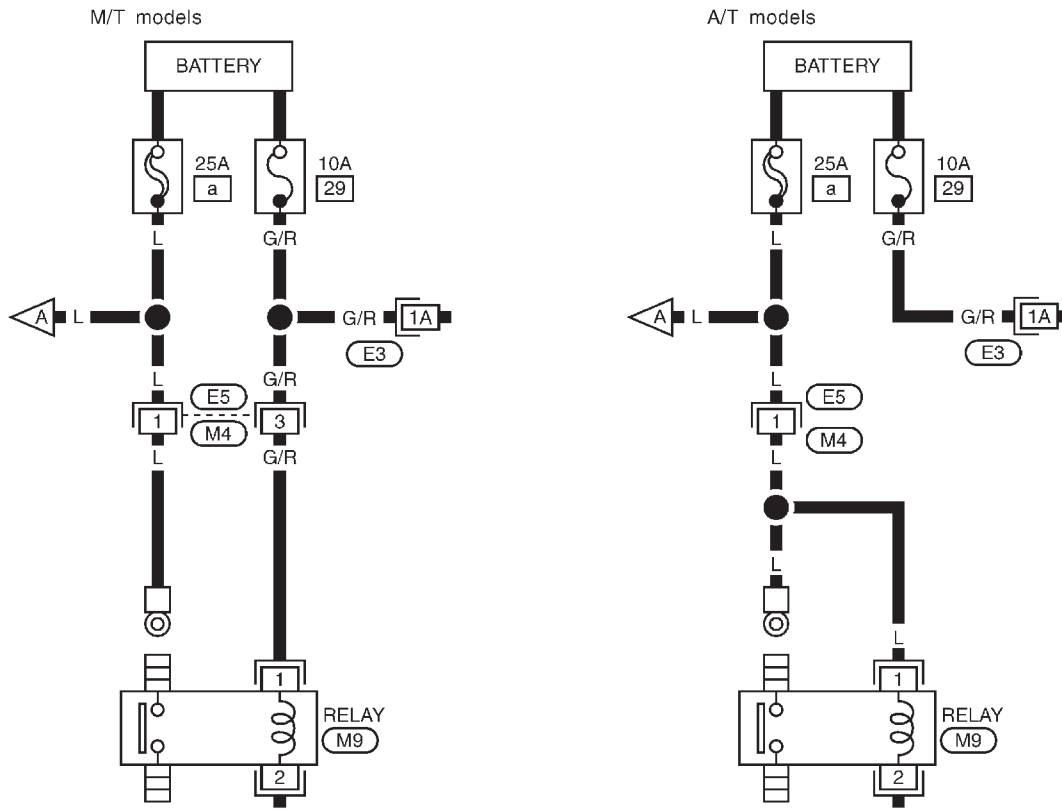
HOW TO READ WIRING DIAGRAMS

Sample/Wiring Diagram — EXAMPL — (Cont'd)

OPTIONAL SPLICE

NFGI0003S0101

Optional splice



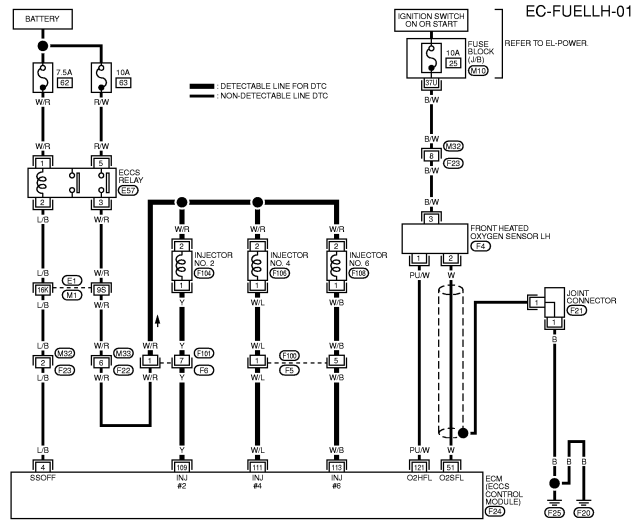
SGI942

HOW TO READ WIRING DIAGRAMS

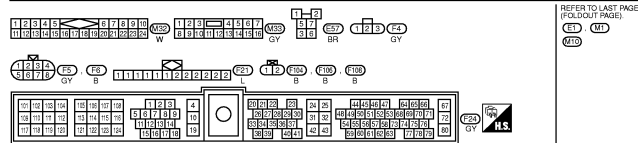
Sample/Wiring Diagram — EXAMPL — (Cont'd)

CONTROL UNIT TERMINALS AND REFERENCE VALUE CHART

NFGI0003S0102



Some wiring diagrams may have the control unit terminals and reference value chart. The chart describes the specification data of control unit terminals as reference value.



CONTROL UNIT TERMINALS AND REFERENCE VALUE (MEASURED BETWEEN EACH TERMINAL AND XX)

Pin	Item	Condition	Spec.
10	Driver and passenger door lock motors	Ignition key is in "ON" position	12V
10	Driver and passenger door lock motors	Ignition key is in "ON" position	12V
10	Driver and passenger door lock motors	Ignition key is in "ON" position	12V
10	Driver and passenger door lock motors	Ignition key is in "ON" position	12V
10	Driver and passenger door lock motors	Ignition key is in "ON" position	12V
10	Driver and passenger door lock motors	Ignition key is in "ON" position	12V
10	Driver and passenger door lock motors	Ignition key is in "ON" position	12V
10	Driver and passenger door lock motors	Ignition key is in "ON" position	12V
10	Driver and passenger door lock motors	Ignition key is in "ON" position	12V
10	Driver and passenger door lock motors	Ignition key is in "ON" position	12V

Control unit terminals and reference value chart

SGI095A

GI
 MA
 EM
 LC
 EC
 FE
 CL
 MT
 AT
 AX
 SU
 BR
 ST
 RS
 BT
 HA
 SC
 EL
 IDX

HOW TO READ WIRING DIAGRAMS

Description

Description																		
Number	Item	Description																
1	Power condition	<ul style="list-style-type: none"> This shows the condition when the system receives battery positive voltage (can be operated). 																
2	Fusible link	<ul style="list-style-type: none"> The double line shows that this is a fusible link. The open circle shows current flow in, and the shaded circle shows current flow out. 																
3	Fusible link/fuse location	<ul style="list-style-type: none"> This shows the location of the fusible link or fuse in the fusible link or fuse box. For arrangement, refer to EL-18, "POWER SUPPLY ROUTING". 																
4	Fuse	<ul style="list-style-type: none"> The single line shows that this is a fuse. The open circle shows current flow in, and the shaded circle shows current flow out. 																
5	Current rating	<ul style="list-style-type: none"> This shows the current rating of the fusible link or fuse. 																
6	Connectors	<ul style="list-style-type: none"> This shows that connector E3 is female and connector M1 is male. The G/R wire is located in the 1A terminal of both connectors. Terminal number with an alphabet (1A, 5B, etc.) indicates that the connector is SMJ connector. Refer to GI-19. 																
7	Optional splice	<ul style="list-style-type: none"> The open circle shows that the splice is optional depending on vehicle application. 																
8	Splice	<ul style="list-style-type: none"> The shaded circle shows that the splice is always on the vehicle. 																
9	Page crossing	<ul style="list-style-type: none"> This arrow shows that the circuit continues to an adjacent page. The A will match with the A on the preceding or next page. 																
10	Common connector	<ul style="list-style-type: none"> The dotted lines between terminals show that these terminals are part of the same connector. 																
11	Option abbreviation	<ul style="list-style-type: none"> This shows that the circuit is optional depending on vehicle application. 																
12	Relay	<ul style="list-style-type: none"> This shows an internal representation of the relay. For details, refer to EL-8, "STANDARDIZED RELAY". 																
13	Connectors	<ul style="list-style-type: none"> This shows that the connector is connected to the body or a terminal with bolt or nut. 																
14	Wire color	<ul style="list-style-type: none"> This shows a code for the color of the wire. <table style="width: 100%; border: none;"> <tr> <td style="width: 50%;">B = Black</td> <td style="width: 50%;">BR = Brown</td> </tr> <tr> <td>W = White</td> <td>OR = Orange</td> </tr> <tr> <td>R = Red</td> <td>P = Pink</td> </tr> <tr> <td>G = Green</td> <td>PU = Purple</td> </tr> <tr> <td>L = Blue</td> <td>GY = Gray</td> </tr> <tr> <td>Y = Yellow</td> <td>SB = Sky Blue</td> </tr> <tr> <td>LG = Light Green</td> <td>CH = Dark Brown</td> </tr> <tr> <td></td> <td>DG = Dark Green</td> </tr> </table> <p>When the wire color is striped, the base color is given first, followed by the stripe color as shown below: Example: L/W = Blue with White Stripe</p>	B = Black	BR = Brown	W = White	OR = Orange	R = Red	P = Pink	G = Green	PU = Purple	L = Blue	GY = Gray	Y = Yellow	SB = Sky Blue	LG = Light Green	CH = Dark Brown		DG = Dark Green
B = Black	BR = Brown																	
W = White	OR = Orange																	
R = Red	P = Pink																	
G = Green	PU = Purple																	
L = Blue	GY = Gray																	
Y = Yellow	SB = Sky Blue																	
LG = Light Green	CH = Dark Brown																	
	DG = Dark Green																	
15	Option description	<ul style="list-style-type: none"> This shows a description of the option abbreviation used on the page. 																
16	Switch	<ul style="list-style-type: none"> This shows that continuity exists between terminals 1 and 2 when the switch is in the A position. Continuity exists between terminals 1 and 3 when the switch is in the B position. 																
17	Assembly parts	<ul style="list-style-type: none"> Connector terminal in component shows that it is a harness incorporated assembly. 																
18	Cell code	<ul style="list-style-type: none"> This identifies each page of the wiring diagram by section, system and wiring diagram page number. 																
19	Current flow arrow	<ul style="list-style-type: none"> Arrow indicates electric current flow, especially where the direction of standard flow (vertically downward or horizontally from left to right) is difficult to follow. A double arrow "↔" shows that current can flow in either direction depending on circuit operation. 																

HOW TO READ WIRING DIAGRAMS

Description (Cont'd)

Number	Item	Description
20	System branch	<ul style="list-style-type: none"> This shows that the system branches to another system identified by cell code (section and system).
21	Page crossing	<ul style="list-style-type: none"> This arrow shows that the circuit continues to another page identified by cell code. The C will match with the C on another page within the system other than the next or preceding pages.
22	Shielded line	<ul style="list-style-type: none"> The line enclosed by broken line circle shows shield wire.
23	Component box in wave line	<ul style="list-style-type: none"> This shows that another part of the component is also shown on another page (indicated by wave line) within the system.
24	Component name	<ul style="list-style-type: none"> This shows the name of a component.
25	Connector number	<ul style="list-style-type: none"> This shows the connector number. The letter shows which harness the connector is located in. Example: M: main harness. For detail and to locate the connector, refer to EL section ("Main Harness", "HARNESS LAYOUT"). A coordinate grid is included for complex harnesses to aid in locating connectors.
26	Ground (GND)	<ul style="list-style-type: none"> The line spliced and grounded under wire color shows that ground line is spliced at the grounded connector.
27	Ground (GND)	<ul style="list-style-type: none"> This shows the ground connection. For detailed ground distribution information, refer to EL-19, "GROUND DISTRIBUTION".
28	Connector views	<ul style="list-style-type: none"> This area shows the connector faces of the components in the wiring diagram on the page.
29	Common component	<ul style="list-style-type: none"> Connectors enclosed in broken line show that these connectors belong to the same component.
30	Connector color	<ul style="list-style-type: none"> This shows a code for the color of the connector. For code meaning, refer to wire color codes, Number 14 of this chart.
31	Fusible link and fuse box	<ul style="list-style-type: none"> This shows the arrangement of fusible link(s) and fuse(s), used for connector views. Refer to EL-11, "POWER SUPPLY ROUTING". The open square shows current flow in, and the shaded square shows current flow out.
32	Reference area	<ul style="list-style-type: none"> This shows that more information on the Super Multiple Junction (SMJ), Electrical Units, exists at the end of the manual. Refer to GI-19 for details.

GI

MA

EM

LC

EC

FE

CL

MT

AT

AX

SU

BR

ST

RS

BT

HA

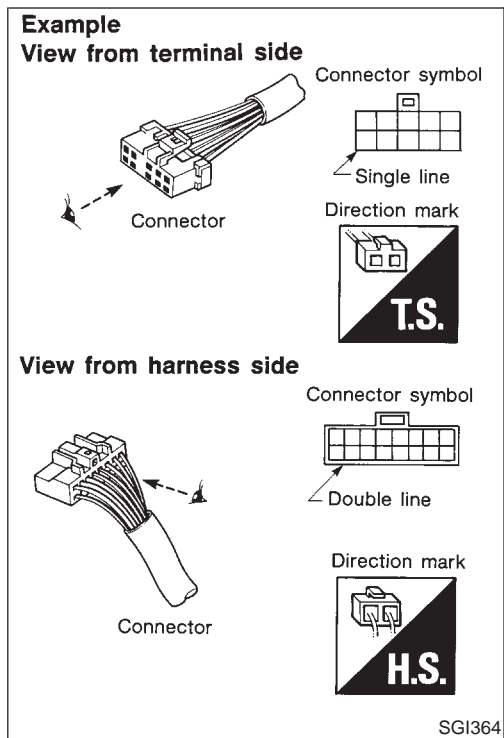
SC

EL

IDX

HOW TO READ WIRING DIAGRAMS

Description (Cont'd)

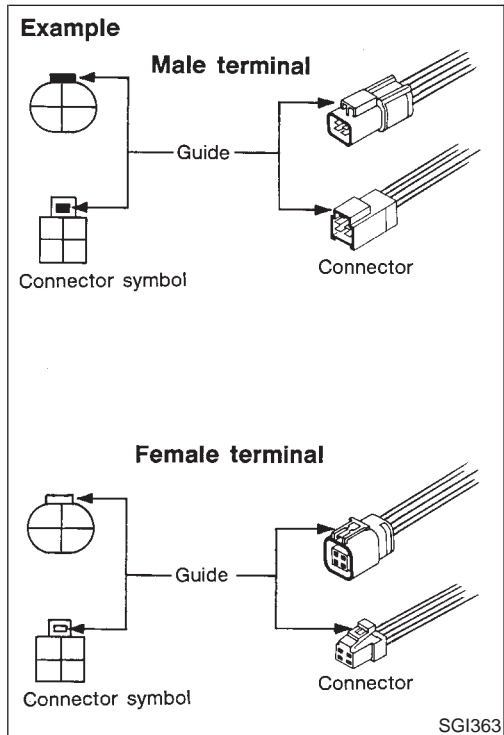


CONNECTOR SYMBOLS

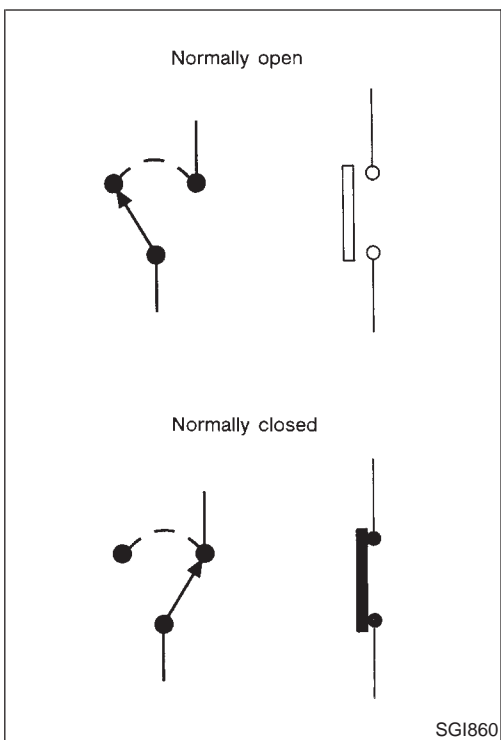
=NFG10003S0201

Most of connector symbols in wiring diagrams are shown from the terminal side.

- Connector symbols shown from the terminal side are enclosed by a single line and followed by the direction mark.
- Connector symbols shown from the harness side are enclosed by a double line and followed by the direction mark.
- Certain systems and components, especially those related to OBD, may use a new style slide-locking type harness connector. For description and how to disconnect, refer to EL-6, "Description", "HARNESS CONNECTOR".



- Male and female terminals
Connector guides for male terminals are shown in black and female terminals in white in wiring diagrams.



SGI860

SWITCH POSITIONS

NFG10003S0204

Switches are shown in wiring diagrams as if the vehicle is in the "normal" condition.

A vehicle is in the "normal" condition when:

- ignition switch is "OFF",
- doors, hood and trunk lid/back door are closed,
- pedals are not depressed, and
- parking brake is released.

GI

MA

EM

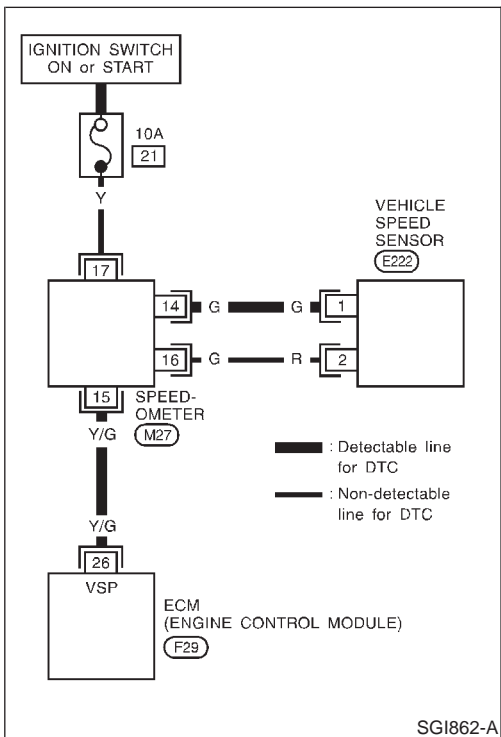
LC

EC

FE

CL

MT



SGI862-A

DETECTABLE LINES AND NON-DETECTABLE LINES

NFG10003S0205

In some wiring diagrams, two kinds of lines, representing wires, with different weight are used.

- A line with regular weight (wider line) represents a "detectable line for DTC (Diagnostic Trouble Code)". A "detectable line for DTC" is a circuit in which ECM can detect its malfunctions with the on board diagnostic system.
- A line with less weight (thinner line) represents a "non-detectable line for DTC". A "non-detectable line for DTC" is a circuit in which ECM cannot detect its malfunctions with the on board diagnostic system.

AT

AX

SU

BR

ST

RS

BT

HA

SC

EL

IDX

HOW TO READ WIRING DIAGRAMS

Description (Cont'd)

MULTIPLE SWITCH

=NFG10003S0206

The continuity of multiple switch is described in two ways as shown below.

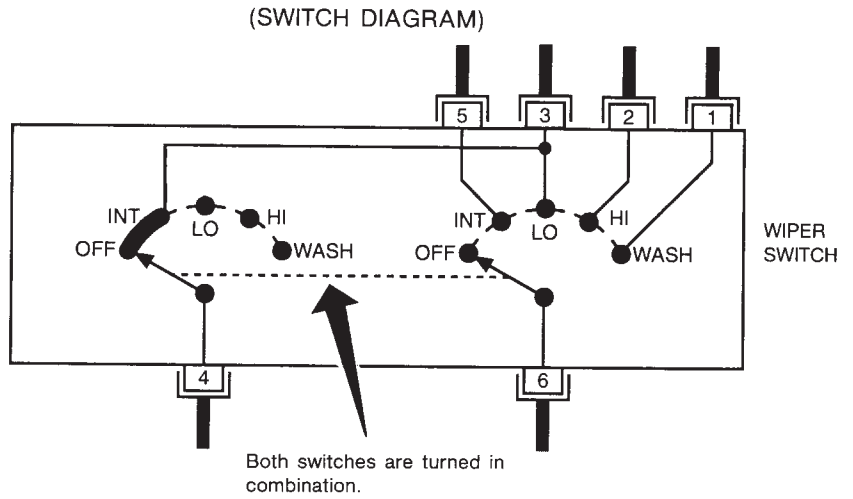
- The switch chart is used in schematic diagrams.
- The switch diagram is used in wiring diagrams.

Example

(SWITCH CHART)

WIPER SWITCH

	OFF	INT	LO	HI	WASH
1					○
2				○	
3	○	○	○		
4	○	○			
5		○			
6		○	○	○	○



Continuity circuit of wiper switch

SWITCH POSITION	CONTINUITY CIRCUIT
OFF	3-4
INT	3-4, 5-6
LO	3-6
HI	2-6
WASH	1-6

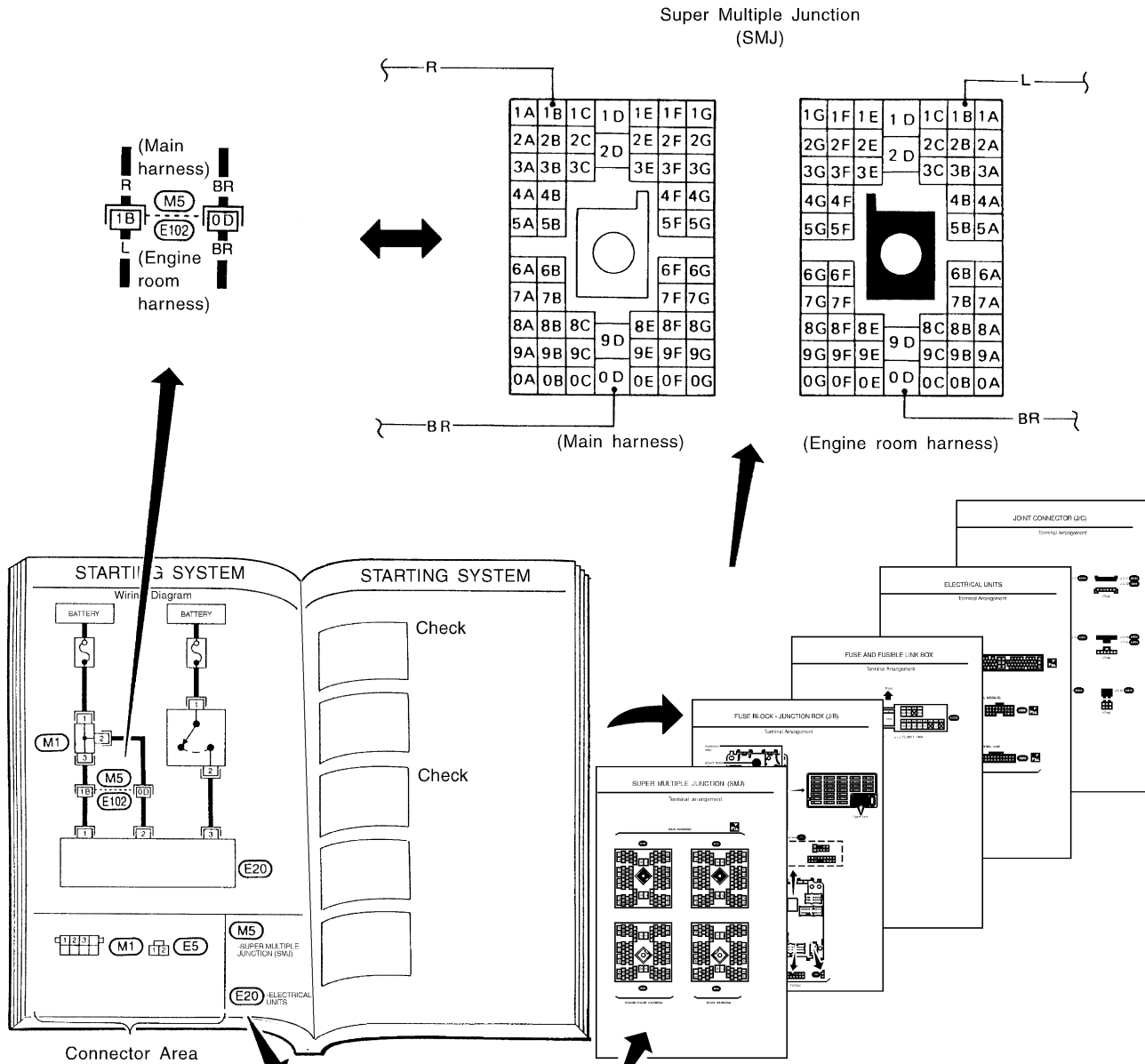
SGI875

REFERENCE AREA

=NFG10003S0207

The Reference Area of the wiring diagram contains references to additional electrical reference pages at the end of the manual. If connector numbers and titles are shown in the Reference Area of the wiring diagram, these connector symbols are not shown in the Connector Area.

Example



Reference Area:
Refer to the electrical reference pages at the end of the manual for the terminal arrangement of the connectors shown here in the "Reference Area".

SGI092A

Super multiple junction (SMJ)

In a wiring diagram, the SMJ connectors include a letter of the alphabet in the terminal number.

SMJ connector numbers are shown in the Reference Area of the wiring diagram. SMJ terminal arrangement can be found on the electrical reference pages at the end of the manual. For terminal arrangement of these connectors, refer to the "SUPER MULTIPLE JUNCTION (SMJ)" electrical reference page at the end of the

GI
MA
EM
LC
EC
FE
CL
MT
AT
AX
SU
BR
ST
RS
BT
HA
SC
EL
IDX

HOW TO READ WIRING DIAGRAMS

Description (Cont'd)

manual.

Fuse block — Junction box (J/B)

Fuse block — Junction box (J/B) connector number is shown in the Reference Area of the wiring diagram. For connector terminal and fuse arrangement, refer to the “FUSE BLOCK — Junction Box (J/B)” electrical reference page at the end of the manual.

Fuse and fusible link box

For fuse arrangement in the fuse and fusible link box, refer to the “FUSE AND FUSIBLE LINK BOX” electrical reference page at the end of the manual.

Electrical units

Electrical unit connector symbols are shown in the Connector Area of the wiring diagram.

However, when there is not enough space to show the connector terminal arrangement in the Connector Area of the wiring diagram, the electrical unit connector number is shown in the Reference Area of the wiring diagram. For electrical unit connector terminal arrangement, refer to the “ELECTRICAL UNITS” electrical reference page at the end of the manual. Most of the electrical unit connectors on this page are shown from the harness side of the connector.

Joint connector

Joint connector symbols are shown in the connector area of the wiring diagram. For connector internal wiring layout and joint connector terminal arrangement, refer to the “JOINT CONNECTOR (J/C)” electrical reference page at the end of the manual.

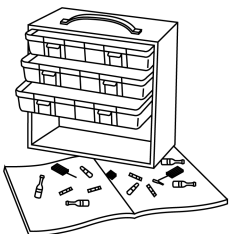

HOW TO CHECK TERMINAL

Connector and Terminal Pin Kit

Connector and Terminal Pin Kit

NFGI0004S01

Use the connector and terminal pin kit listed below when replacing connectors or terminals. The connector and terminal pin kit contains some of the most commonly used NISSAN connectors and terminals.

Tool number (Kent-Moore No.) Tool name	Description
— (J38751-95NI) Connector and terminal pin kit — (J42992-98KIT) OBD Terminal Repair Kit	<div style="display: flex; justify-content: space-around; align-items: center;"> <div style="text-align: center;"> <p>J42992-98KIT</p>  </div> <div style="text-align: center;"> <p>J38751-95NI</p>  </div> </div> <p style="text-align: left; margin-top: 10px;">AGI121</p>

GI

MA

EM

LC

EC

FE

CL

MT

How to Probe Connectors

NFGI0004S02

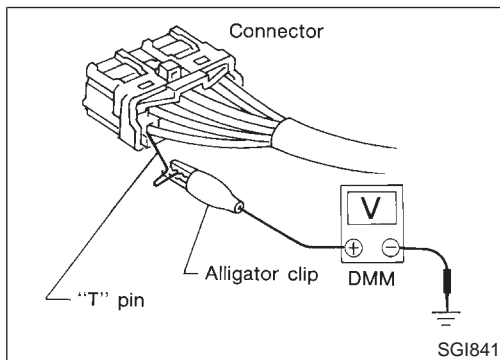
Connector damage and an intermittent connection can result from improperly probing of the connector during circuit checks. The probe of a digital multimeter (DMM) may not correctly fit the connector cavity. To correctly probe the connector, follow the procedures below using a "T" pin. For the best contact grasp the "T" pin using an alligator clip.

AT

AX

SU

BR



PROBING FROM HARNESS SIDE

NFGI0004S0201

Standard type (not waterproof type) connector should be probed from harness side with "T" pin.

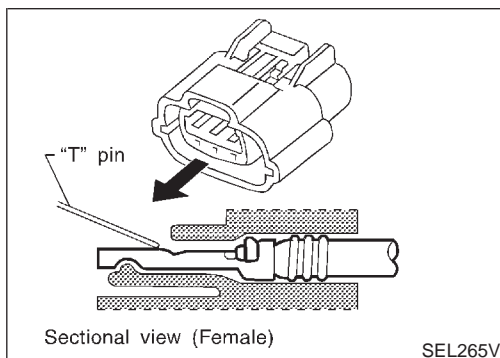
- If the connector has a rear cover such as a ECM connector, remove the rear cover before probing the terminal.
- Do not probe waterproof connector from harness side. Damage to the seal between wire and connector may result.

ST

RS

BT

HA



PROBING FROM TERMINAL SIDE

NFGI0004S0202

Female terminal

- There is a small notch above each female terminal. Probe each terminal with the "T" pin through the notch. Do not insert any object other than the same type male terminal into female terminal.

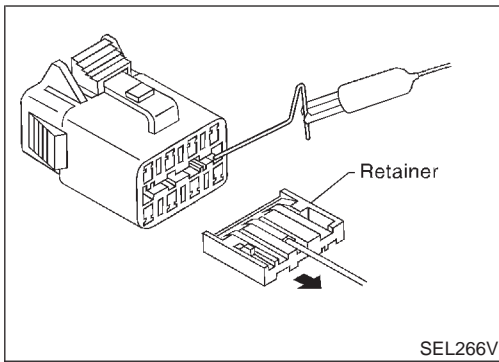
SC

EL

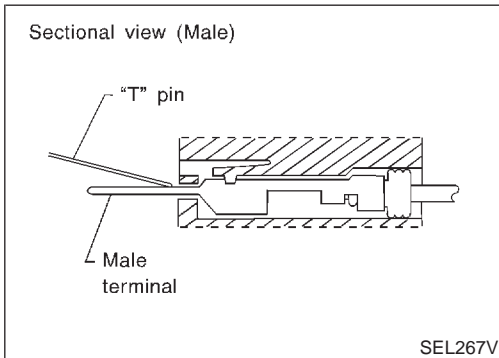
IDX

HOW TO CHECK TERMINAL

How to Probe Connectors (Cont'd)



- Some connectors do not have a notch above each terminal. To probe each terminal, remove the connector retainer to make contact space for probing.



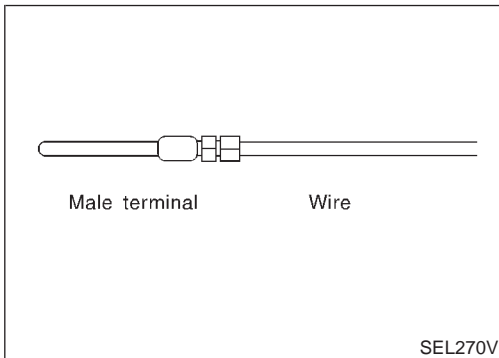
Male terminal

Carefully probe the contact surface of each terminal using a "T" pin. **Do not bend terminal.**

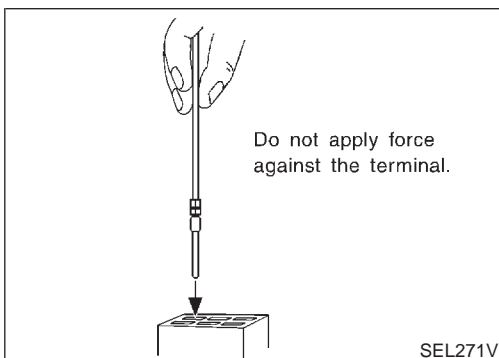
How to Check Enlarged Contact Spring of Terminal

An enlarged contact spring of a terminal may create intermittent signals in the circuit. NFG10004S03

If the intermittent open circuit occurs, follow the procedure below to inspect for open wires and enlarged contact spring of female terminal.



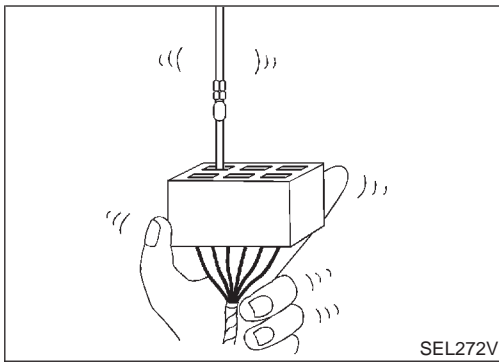
1. Assemble a male terminal and approx. 10 cm (3.9 in) of wire. **Use a male terminal which matches the female terminal.**
2. Disconnect the suspected faulty connector and hold it terminal side up.



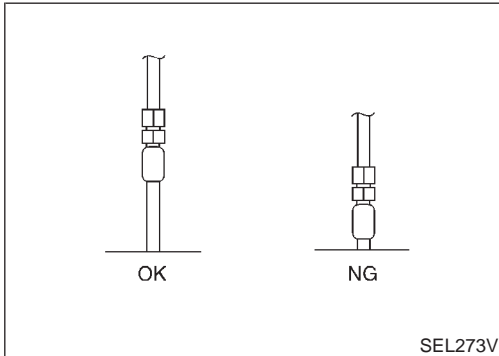
3. While holding the wire of the male terminal, try to insert the male terminal into the female terminal. **Do not force the male terminal into the female terminal with your hands.**

HOW TO CHECK TERMINAL

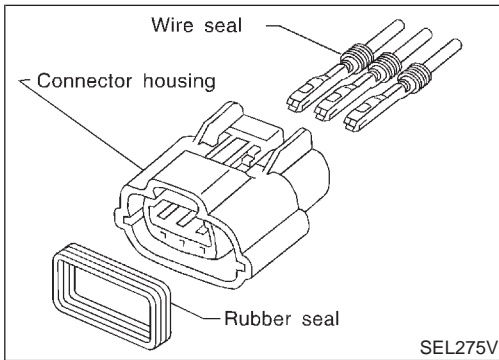
How to Check Enlarged Contact Spring of Terminal (Cont'd)



4. While moving the connector, check whether the male terminal can be easily inserted or not.



- If the male terminal can be easily inserted into the female terminal, replace the female terminal.



Waterproof Connector Inspection

If water enters the connector, it can short interior circuits. This may lead to intermittent problems.

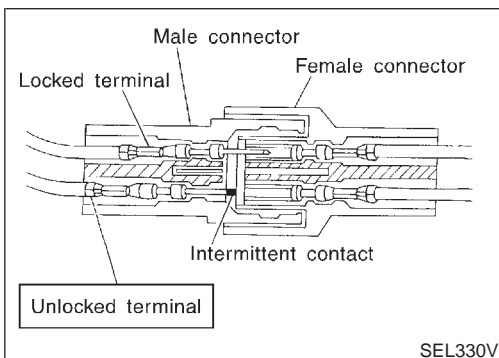
Check the following items to maintain the original waterproof characteristics.

RUBBER SEAL INSPECTION

- Most waterproof connectors are provided with a rubber seal between the male and female connectors. If the seal is missing, the waterproof performance may not meet specifications.
- The rubber seal may come off when connectors are disconnected. Whenever connectors are reconnected, make sure the rubber seal is properly installed on either side of male or female connector.

WIRE SEAL INSPECTION

The wire seal must be installed on the wire insertion area of a waterproof connector. Be sure that the seal is installed properly.



Terminal Lock Inspection

Check for unlocked terminals by pulling wire at the end of connector. An unlocked terminal may create intermittent signals in the circuit.

GI

MA

EM

LC

EC

FE

CL

MT

AT

AX

SU

BR

ST

RS

BT

HA

SC

EL

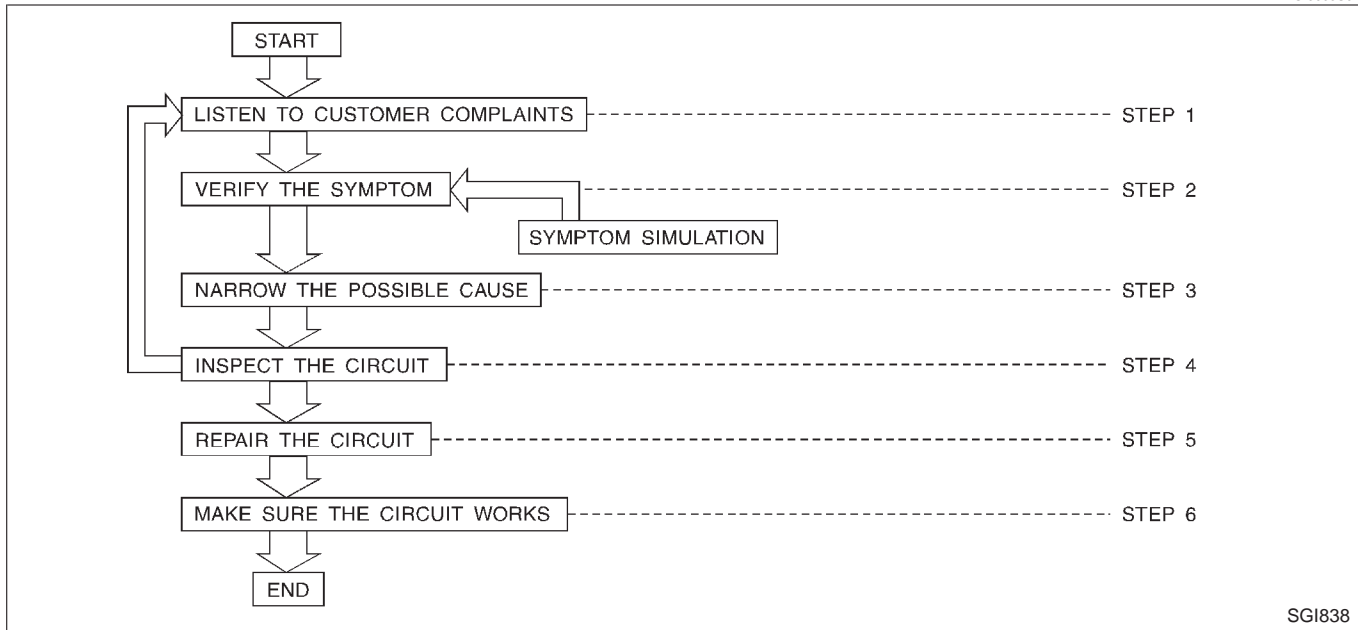
IDX

HOW TO PERFORM EFFICIENT DIAGNOSIS FOR AN ELECTRICAL INCIDENT

Work Flow

Work Flow

NFGI0005S01



SGI838

STEP	DESCRIPTION
STEP 1	Get detailed information about the conditions and the environment when the incident occurred. The following are key pieces of information required to make a good analysis:
	WHAT Vehicle Model, Engine, Transmission and the System (i.e. Radio).
	WHEN Date, Time of Day, Weather Conditions, Frequency.
	WHERE Road Conditions, Altitude and Traffic Situation.
STEP 2	HOW System Symptoms, Operating Conditions (Other Components Interaction). Service History and if any After Market Accessories have been installed.
	Operate the system, road test if necessary. Verify the parameter of the incident. If the incident cannot be duplicated, refer to "Incident Simulation Tests" next page.
STEP 3	Get the proper diagnosis materials together including: POWER SUPPLY ROUTING System Operation Descriptions Applicable Service Manual Sections Check for any Service Bulletin. Identify where to begin diagnosis based upon your knowledge of the system operation and the customer comments.
STEP 4	Inspect the system for mechanical binding, loose connectors or wiring damage. Determine which circuits and components are involved and diagnose using the Power Supply Routing and Harness Layouts.
STEP 5	Repair or replace the incident circuit or component.
STEP 6	Operate the system in all modes. Verify the system works properly under all conditions. Make sure you have not inadvertently created a new incident during your diagnosis or repair steps.

Incident Simulation Tests

NFGI0005S02

INTRODUCTION

NFGI0005S0201

Sometimes the symptom is not present when the vehicle is brought in for service. If possible, re-create the conditions present at the time of the incident. Doing so may help avoid a No Trouble Found Diagnosis. The following section illustrates ways to simulate the conditions/environment under which the owner experiences an electrical incident.

The section is broken into the six following topics:

- Vehicle vibration
- Heat sensitive
- Freezing
- Water intrusion
- Electrical load
- Cold or hot start up

Get a thorough description of the incident from the customer. It is important for simulating the conditions of the incident.

VEHICLE VIBRATION

NFGI0005S0202

The incident may occur or become worse while driving on a rough road or when engine is vibrating (idle with A/C on). In such a case, you will want to check for a vibration related condition. Refer to the illustration below.

Connectors & Harness

Determine which connectors and wiring harness would affect the electrical system you are inspecting. **Gently** shake each connector and harness while monitoring the system for the incident you are trying to duplicate. This test may indicate a loose or poor electrical connection.

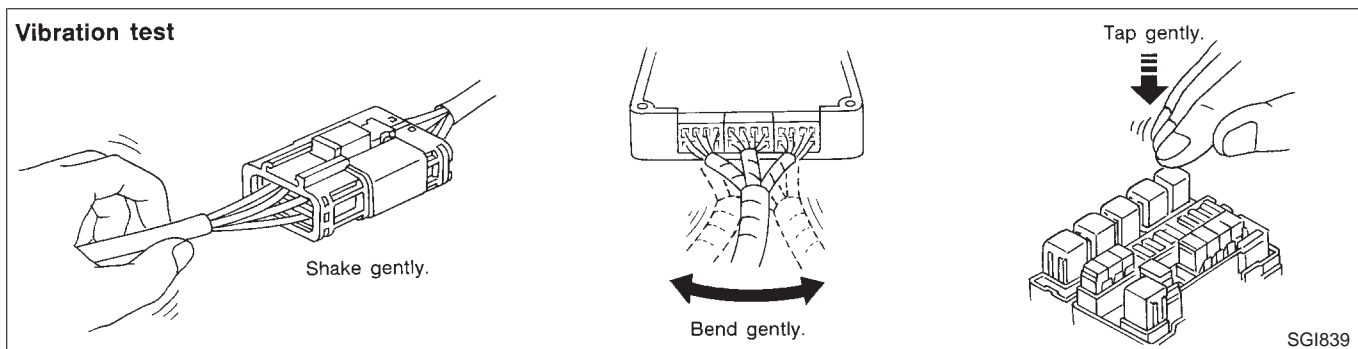
Hint

Connectors can be exposed to moisture. It is possible to get a thin film of corrosion on the connector terminals. A visual inspection may not reveal this without disconnecting the connector. If the incident occurs intermittently, perhaps the incident is caused by corrosion. It is a good idea to disconnect, inspect and clean the terminals on related connectors in the system.

Sensors & Relays

Gently apply a slight vibration to sensors and relays in the system you are inspecting.

This test may indicate a loose or poorly mounted sensor or relay.



HOW TO PERFORM EFFICIENT DIAGNOSIS FOR AN ELECTRICAL INCIDENT

Incident Simulation Tests (Cont'd)

Engine Compartment

There are several reasons a vehicle or engine vibration could cause an electrical complaint. Some of the things to check for are:

- Connectors not fully seated.
- Wiring harness not long enough and is being stressed due to engine vibrations or rocking.
- Wires laying across brackets or moving components.
- Loose, dirty or corroded ground wires.
- Wires routed too close to hot components.

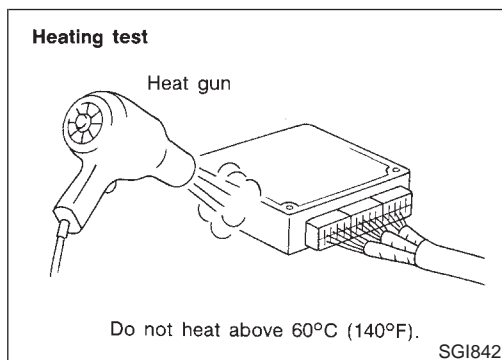
To inspect components under the hood, start by verifying the integrity of ground connections. (Refer to GROUND INSPECTION described later.) First check that the system is properly grounded. Then check for loose connection by **gently shaking** the wiring or components as previously explained. Using the wiring diagrams inspect the wiring for continuity.

Behind The Instrument Panel

An improperly routed or improperly clamped harness can become pinched during accessory installation. Vehicle vibration can aggravate a harness which is routed along a bracket or near a screw.

Under Seating Areas

An unclamped or loose harness can cause wiring to be pinched by seat components (such as slide guides) during vehicle vibration. If the wiring runs under seating areas, inspect wire routing for possible damage or pinching.



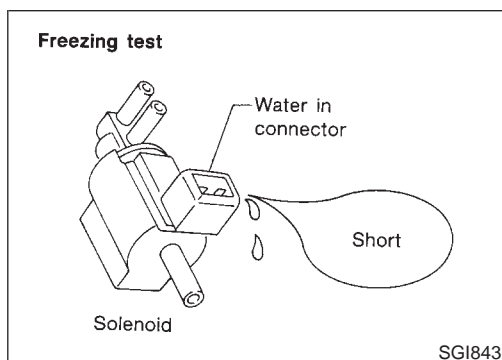
HEAT SENSITIVE

NFGI0005S0203

The owner's incident may occur during hot weather or after car has sat for a short time. In such cases you will want to check for a heat sensitive condition.

To determine if an electrical component is heat sensitive, heat the component with a heat gun or equivalent.

Do not heat components above 60°C (140°F). If incident occurs while heating the unit, either replace or properly insulate the component.



FREEZING

NFGI0005S0204

The customer may indicate the incident goes away after the car warms up (winter time). The cause could be related to water freezing somewhere in the wiring/electrical system.

There are two methods to check for this. The first is to arrange for the owner to leave his car overnight. Make sure it will get cold enough to demonstrate his complaint. Leave the car parked outside overnight. In the morning, do a quick and thorough diagnosis of those electrical components which could be affected.

The second method is to put the suspect component into a freezer long enough for any water to freeze. Reinstall the part into the car and check for the reoccurrence of the incident. If it occurs, repair or replace the component.

GI

MA

EM

LC

EC

FE

CL

MT

AT

AX

SU

BR

ST

RS

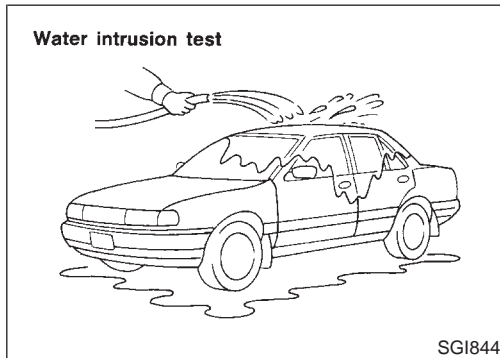
BT

HA

SC

EL

IDX

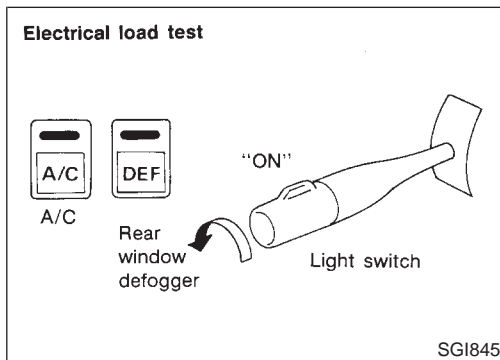


WATER INTRUSION

NFG10005S0205

The incident may occur only during high humidity or in rainy/snowy weather. In such cases the incident could be caused by water intrusion on an electrical part. This can be simulated by soaking the car or running it through a car wash.

Do not spray water directly on any electrical components.



ELECTRICAL LOAD

NFG10005S0206

The incident may be electrical load sensitive. Perform diagnosis with all accessories (including A/C, rear window defogger, radio, fog lamps) turned on.

COLD OR HOT START UP

NFG10005S0207

On some occasions an electrical incident may occur only when the car is started cold. Or it may occur when the car is restarted hot shortly after being turned off. In these cases you may have to keep the car overnight to make a proper diagnosis.

Circuit Inspection

NFG10005S03

INTRODUCTION

NFG10005S0301

In general, testing electrical circuits is an easy task if it is approached in a logical and organized method. Before beginning it is important to have all available information on the system to be tested. Also, get a thorough understanding of system operation. Then you will be able to use the appropriate equipment and follow the correct test procedure.

You may have to simulate vehicle vibrations while testing electrical components. **Gently shake** the wiring harness or electrical component to do this.

OPEN	A circuit is open when there is no continuity through a section of the circuit.	
SHORT	There are two types of shorts.	
	• SHORT CIRCUIT	When a circuit contacts another circuit and causes the normal resistance to change.
	• SHORT TO GROUND	When a circuit contacts a ground source and grounds the circuit.

HOW TO PERFORM EFFICIENT DIAGNOSIS FOR AN ELECTRICAL INCIDENT

Circuit Inspection (Cont'd)

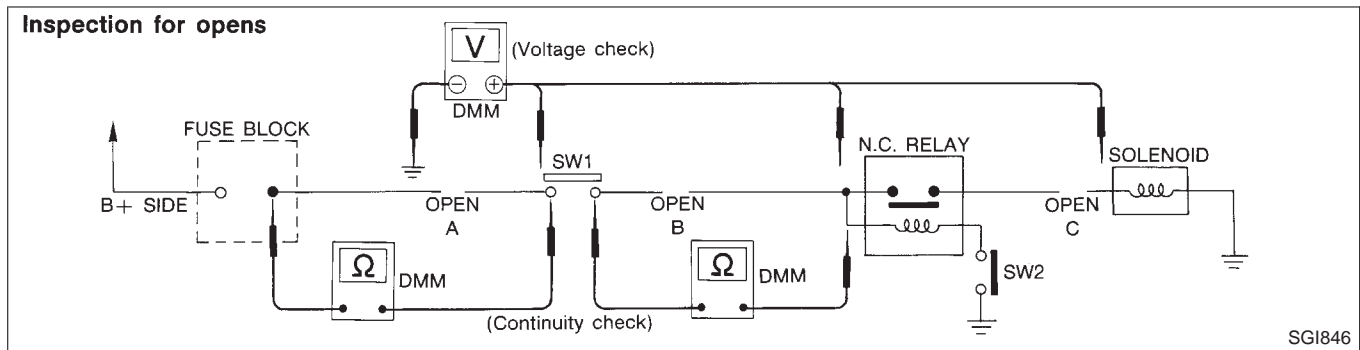
NOTE:

Refer to "HOW TO CHECK TERMINAL" in GI-21 to probe or check terminal.

TESTING FOR "OPENS" IN THE CIRCUIT

NFG10005S0302

Before you begin to diagnose and test the system, you should rough sketch a schematic of the system. This will help you to logically walk through the diagnosis process. Drawing the sketch will also reinforce your working knowledge of the system.



Continuity Check Method

The continuity check is used to find an open in the circuit. The Digital Multimeter (DMM) set on the resistance function will indicate an open circuit as over limit (no beep tone or no ohms symbol). Make sure to always start with the DMM at the highest resistance level.

To help in understanding the diagnosis of open circuits please refer to the schematic above.

- 1) Disconnect the battery negative cable.
- 2) Start at one end of the circuit and work your way to the other end. (At the fuse block in this example)
- 3) Connect one probe of the DMM to the fuse block terminal on the load side.
- 4) Connect the other probe to the fuse block (power) side of SW1. Little or no resistance will indicate that portion of the circuit has good continuity. If there were an open in the circuit, the DMM would indicate an over limit or infinite resistance condition. (point A)
- 5) Connect the probes between SW1 and the relay. Little or no resistance will indicate that portion of the circuit has good continuity. If there were an open in the circuit, the DMM would indicate an over limit or infinite resistance condition. (point B)
- 6) Connect the probes between the relay and the solenoid. Little or no resistance will indicate that portion of the circuit has good continuity. If there were an open in the circuit, the DMM would indicate an over limit or infinite resistance condition. (point C)

Any circuit can be diagnosed using the approach in the above example.

Voltage Check Method

To help in understanding the diagnosis of open circuits please refer to the previous schematic.

In any powered circuit, an open can be found by methodically checking the system for the presence of voltage. This is done by switching the DMM to the voltage function.

- 1) Connect one probe of the DMM to a known good ground.
- 2) Begin probing at one end of the circuit and work your way to the other end.
- 3) With SW1 open, probe at SW1 to check for voltage.

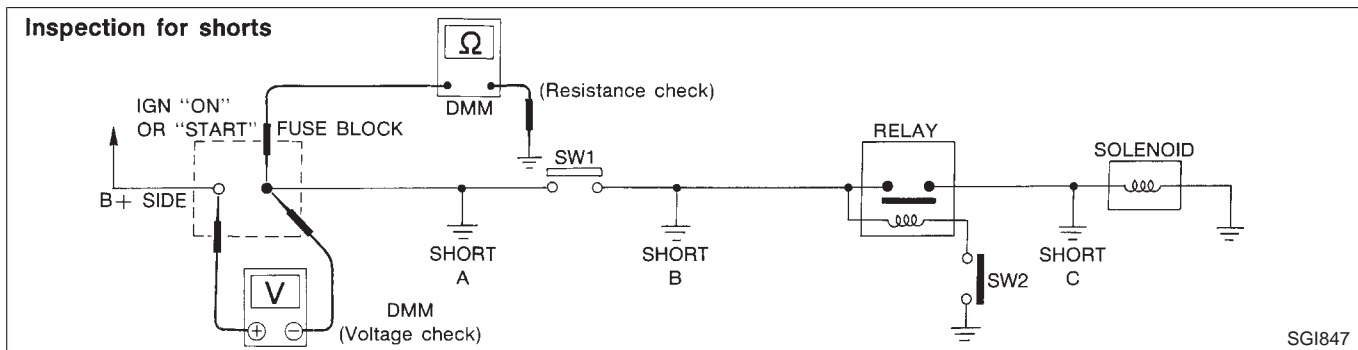
- voltage; open is further down the circuit than SW1.
- no voltage; open is between fuse block and SW1 (point A).
- 4) Close SW1 and probe at relay.
voltage; open is further down the circuit than the relay.
no voltage; open is between SW1 and relay (point B).
- 5) Close the relay and probe at the solenoid.
voltage; open is further down the circuit than the solenoid.
no voltage; open is between relay and solenoid (point C).

Any powered circuit can be diagnosed using the approach in the above example.

TESTING FOR "SHORTS" IN THE CIRCUIT

NFG10005S0303

To simplify the discussion of shorts in the system please refer to the schematic below.



Resistance Check Method

- 1) Disconnect the battery negative cable and remove the blown fuse.
- 2) Disconnect all loads (SW1 open, relay disconnected and solenoid disconnected) powered through the fuse.
- 3) Connect one probe of the ohmmeter to the load side of the fuse terminal. Connect the other probe to a known good ground.
- 4) With SW1 open, check for continuity.
continuity; short is between fuse terminal and SW1 (point A).
no continuity; short is further down the circuit than SW1.
- 5) Close SW1 and disconnect the relay. Put probes at the load side of fuse terminal and a known good ground. Then, check for continuity.
continuity; short is between SW1 and the relay (point B).
no continuity; short is further down the circuit than the relay.
- 6) Close SW1 and jump the relay contacts with jumper wire. Put probes at the load side of fuse terminal and a known good ground. Then, check for continuity.
continuity; short is between relay and solenoid (point C).
no continuity; check solenoid, retrace steps.

Voltage Check Method

- 1) Remove the blown fuse and disconnect all loads (i.e. SW1 open, relay disconnected and solenoid disconnected) powered through the fuse.
- 2) Turn the ignition key to the ON or START position. Verify battery voltage at the B + side of the fuse terminal (one lead on the B + terminal side of the fuse block and one lead on a known good ground).
- 3) With SW1 open and the DMM leads across both fuse terminals, check for voltage.
voltage; short is between fuse block and SW1 (point A).
no voltage; short is further down the circuit than SW1.

HOW TO PERFORM EFFICIENT DIAGNOSIS FOR AN ELECTRICAL INCIDENT

Circuit Inspection (Cont'd)

- 4) With SW1 closed, relay and solenoid disconnected and the DMM leads across both fuse terminals, check for voltage.
voltage; short is between SW1 and the relay (point B).
no voltage; short is further down the circuit than the relay.
- 5) With SW1 closed, relay contacts jumped with fused jumper wire check for voltage.
voltage; short is down the circuit of the relay or between the relay and the disconnected solenoid (point C).
no voltage; retrace steps and check power to fuse block.

GROUND INSPECTION

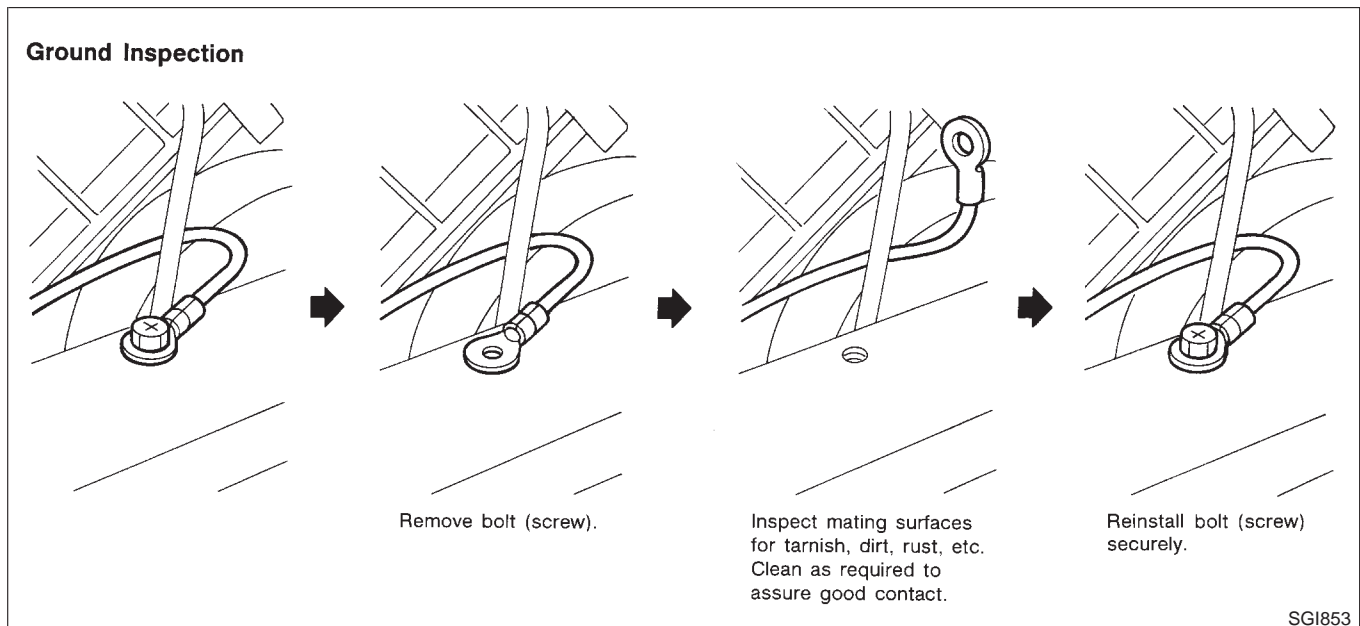
NFG10005S0304

Ground connections are very important to the proper operation of electrical and electronic circuits. Ground connections are often exposed to moisture, dirt and other corrosive elements. The corrosion (rust) can become an unwanted resistance. This unwanted resistance can change the way a circuit works.

Electronically controlled circuits are very sensitive to proper grounding. A loose or corroded ground can drastically affect an electronically controlled circuit. A poor or corroded ground can easily affect the circuit. Even when the ground connection looks clean, there can be a thin film of rust on the surface.

When inspecting a ground connection follow these rules:

- 1) Remove the ground bolt or screw.
- 2) Inspect all mating surfaces for tarnish, dirt, rust, etc.
- 3) Clean as required to assure good contact.
- 4) Reinstall bolt or screw securely.
- 5) Inspect for "add-on" accessories which may be interfering with the ground circuit.
- 6) If several wires are crimped into one ground eyelet terminal, check for proper crimps. Make sure all of the wires are clean, securely fastened and providing a good ground path. If multiple wires are cased in one eyelet make sure no ground wires have excess wire insulation.



VOLTAGE DROP TESTS

NFG10005S0305

Voltage drop tests are often used to find components or circuits which have excessive resistance. A voltage drop in a circuit is caused by a resistance **when the circuit is in operation**.

Check the wire in the illustration. When measuring resistance with

ohmmeter, contact by a single strand of wire will give reading of 0 ohms. This would indicate a good circuit. When the circuit operates, this single strand of wire is not able to carry the current. The single strand will have a high resistance to the current. This will be picked up as a slight voltage drop.

Unwanted resistance can be caused by many situations as follows:

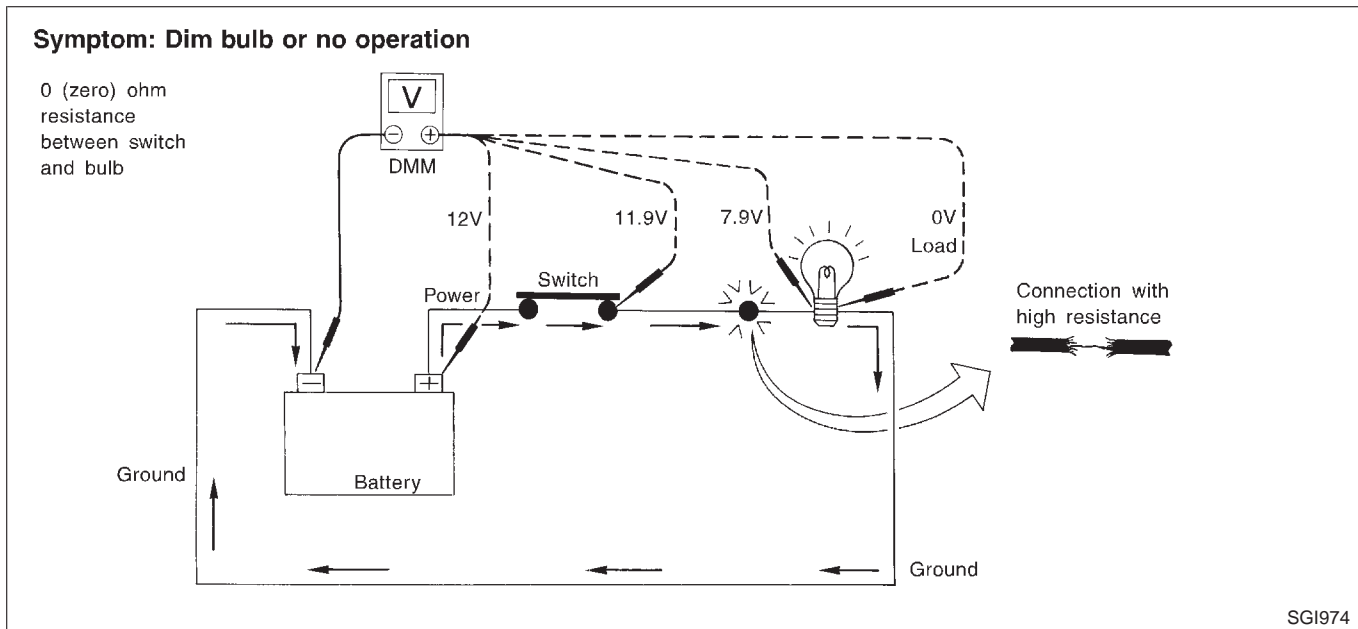
- Undersized wiring (single strand example)
- Corrosion on switch contacts
- Loose wire connections or splices.

If repairs are needed always use wire that is of the same or larger gauge.

Measuring Voltage Drop — Accumulated Method

- 1) Connect the voltmeter across the connector or part of the circuit you want to check. The positive lead of the voltmeter should be closer to power and the negative lead closer to ground.
- 2) Operate the circuit.
- 3) The voltmeter will indicate how many volts are being used to “push” current through that part of the circuit.

Note in the illustration that there is an excessive 4.1 volt drop between the battery and the bulb.



Measuring Voltage Drop — Step by Step

The step by step method is most useful for isolating excessive drops in low voltage systems (such as those in “Computer Controlled Systems”).

Circuits in the “Computer Controlled System” operate on very low amperage.

The (Computer Controlled) system operations can be adversely affected by any variation in resistance in the system. Such resistance variation may be caused by poor connection, improper installation, improper wire gauge or corrosion.

The step by step voltage drop test can identify a component or wire with too much resistance.

HOW TO PERFORM EFFICIENT DIAGNOSIS FOR AN ELECTRICAL INCIDENT

Circuit Inspection (Cont'd)

1. Connect the voltmeter as shown, starting at the battery and working your way around the circuit.

2. An unusually large voltage drop will indicate a component or wire that needs to be repaired. As you can see the illustration above, the poor connection causes a 4 volt drop.

The chart that follows illustrates some maximum allowable voltage drops. These values are given as a guideline, the exact value for each component may vary.

COMPONENT	VOLTAGE DROP
Wire	negligible < .001 volts
Ground Connections	Approx. 0.1 volts
Switch Contacts	Approx. 0.3 volts

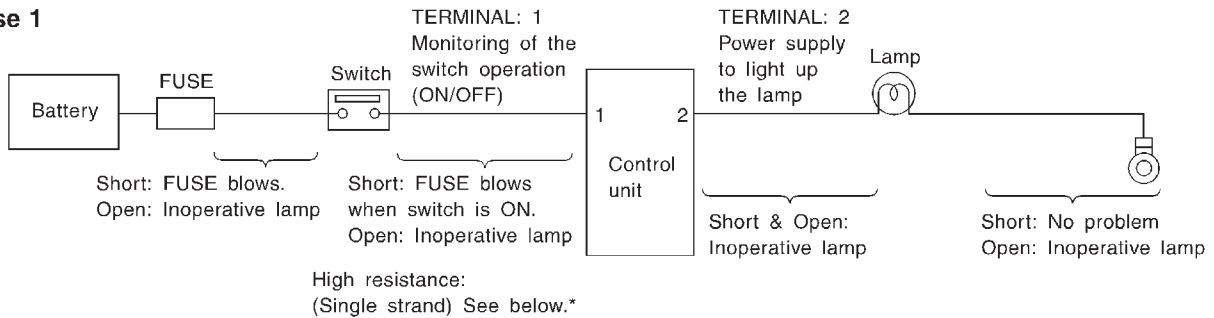
SGI854

CONTROL UNIT CIRCUIT TEST

NFG10005S0306

System Description: When the switch is ON, the control unit lights up the lamp.

Case 1



MG1034A

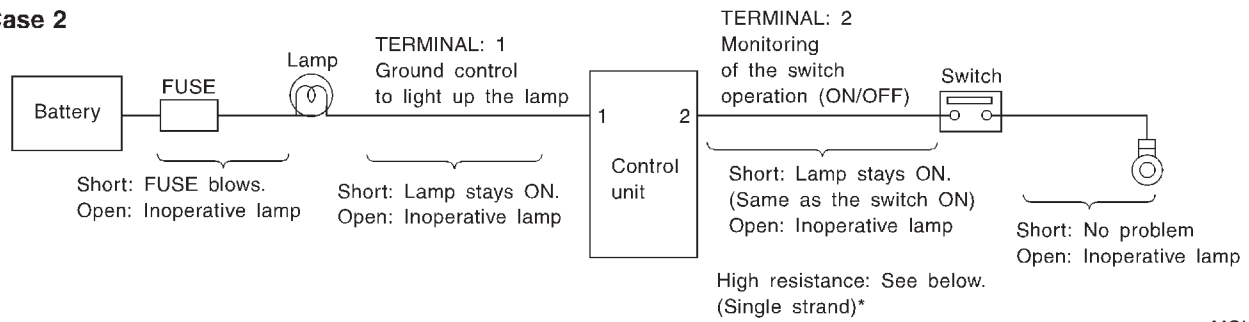
Input-output voltage chart

Pin No.	Item	Condition	Voltage value [V]	In case of high resistance such as single strand [V] *
1	Switch	Switch ON	Battery voltage	Lower than battery voltage Approx. 8 (Example)
		Switch OFF	Approx. 0	Approx. 0
2	Lamp	Switch ON	Battery voltage	Approx. 0 (Inoperative lamp)
		Switch OFF	Approx. 0	Approx. 0

The voltage value is based on the body ground.

*: If high resistance exists in the switch side circuit (caused by a single strand), terminal 1 does not detect battery voltage. Control unit does not detect the switch is ON even if the switch does not turn ON. Therefore, the control unit does not supply power to light up the lamp.

Case 2



MGI035A

Input-output voltage chart

Pin No.	Item	Condition	Voltage value [V]	In case of high resistance such as single strand [V]*
1	Lamp	Switch ON	Approx. 0	Battery voltage (Inoperative lamp)
		Switch OFF	Battery voltage	Battery voltage
2	Switch	Switch ON	Approx. 0	Higher than 0 Approx. 4 (Example)
		Switch OFF	Approx. 5	Approx. 5

The voltage value is based on the body ground.

*: If high resistance exists in the switch side circuit (caused by a single strand), terminal 2 does not detect approx. 0V. Control unit does not detect the switch is ON even if the switch does not turn ON. Therefore, the control unit does not control ground to light up the lamp.

HOW TO FOLLOW TROUBLE DIAGNOSES

NOTICE:

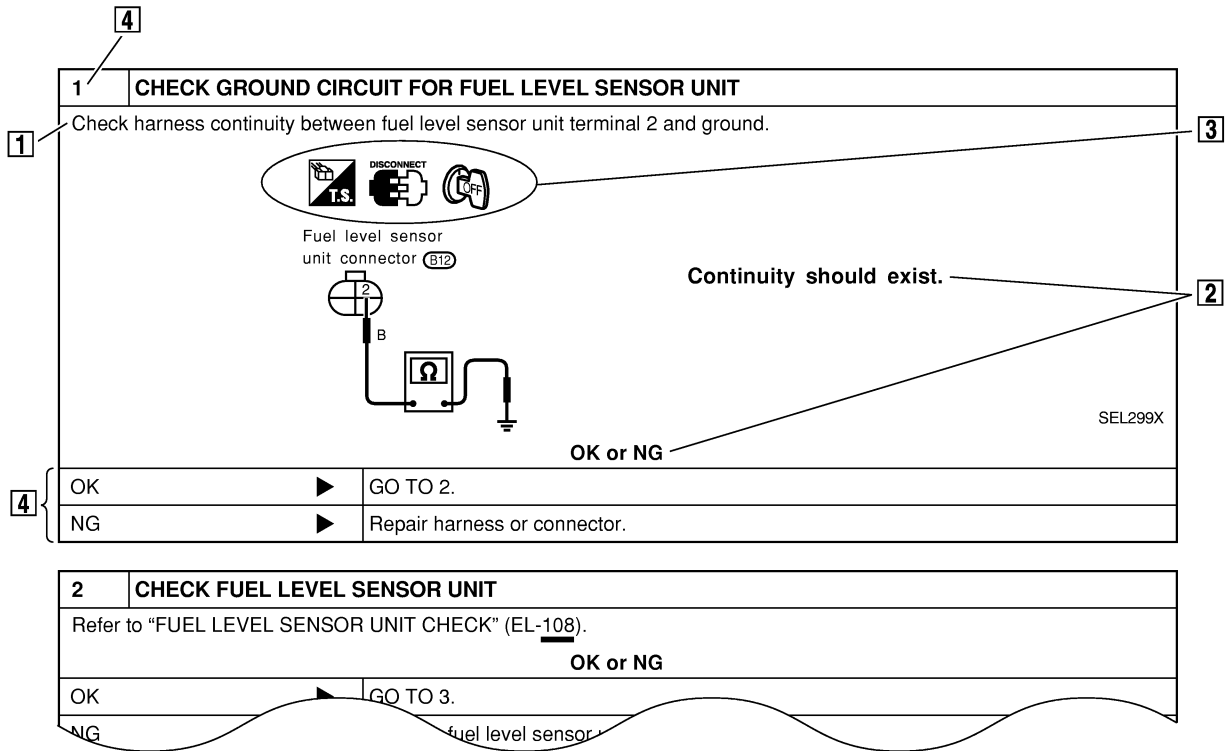
Trouble diagnoses indicates work procedures required to diagnose problems effectively. Observe the following instructions before diagnosing.

- 1) **Before performing trouble diagnoses, read the “Preliminary Check”, the “Symptom Chart” or the “Work Flow”.**
- 2) **After repairs, re-check that the problem has been completely eliminated.**
- 3) **Refer to Component Parts and Harness Connector Location for the Systems described in each section for identification/location of components and harness connectors.**
- 4) **Refer to the Circuit Diagram for quick pinpoint check. If you need to check circuit continuity between harness connectors in more detail, such as when a sub-harness is used, refer to Wiring Diagram in each individual section and Harness Layout in EL section for identification of harness connectors.**
- 5) **When checking circuit continuity, ignition switch should be OFF.**
- 6) **Before checking voltage at connectors, check battery voltage.**
- 7) **After accomplishing the Diagnostic Procedures and Electrical Components Inspection, make sure that all harness connectors are reconnected as they were.**

How to Follow Test Groups in Trouble Diagnoses

NFG10006S01

Example

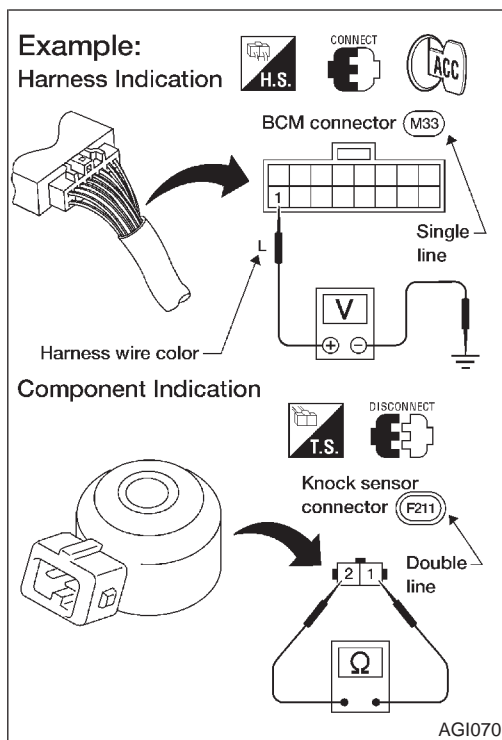


SGI138A

- 1) Work and diagnostic procedure**
Start to diagnose a problem using procedures indicated in enclosed test groups.
- 2) Questions and required results.**
Questions and required results are indicated in bold type in test group.
The meaning of are as follows:
 - a. Battery voltage → 11 - 14V or approximately 12V**
 - b. Voltage: Approximately 0V → Less than 1V**
- 3) Symbol used in illustration**
Symbols included in illustrations refer to measurements or procedures. Before diagnosing a problem, familiarize yourself with each symbol. Refer to "CONNECTOR SYMBOLS" (GI-16) and "Key to Symbols Signifying Measurements or Procedures" (GI-37).
- 4) Action items**
Next action for each test group is indicated based on result of each question. Test group number is shown in the left upper portion of each test group.

HOW TO FOLLOW TROUBLE DIAGNOSES

Harness Wire Color and Connector Number Indication



Harness Wire Color and Connector Number Indication

NFG10006S03

There are two types of harness wire color and connector number indication.

TYPE 1: HARNESS WIRE COLOR AND CONNECTOR NUMBER ARE SHOWN IN ILLUSTRATION

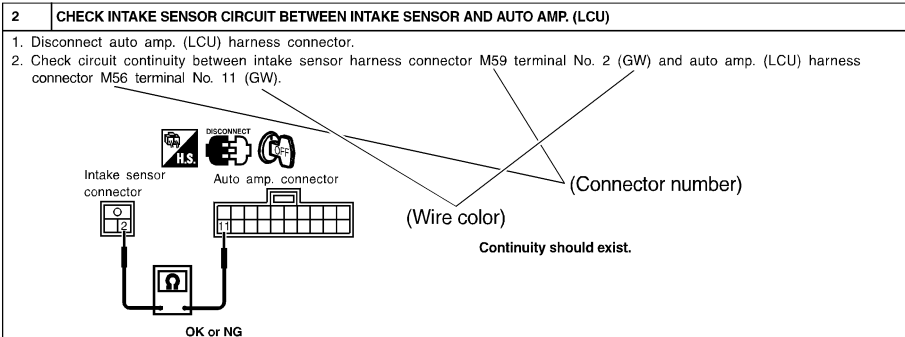
NFG10006S0301

- Letter designations next to test meter probe indicate harness wire color.
- Connector numbers in a single circle (e.g. M33) indicate harness connectors.
- Connector numbers in a double circle (e.g. F211) indicate component connectors.

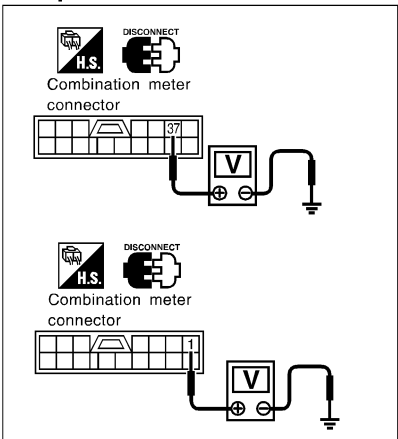
TYPE 2: HARNESS WIRE COLOR AND CONNECTOR NUMBER ARE SHOWN IN TEXT

NFG10006S0302

Example 1:



Example 2:



POWER SUPPLY AND GROUND CIRCUIT CHECK

NCEL00-16807
 NCEL00-16807/1

Terminals		Ignition switch position		
(+)	(-)	OFF	ACC	ON
Connector	Terminal (Wire color)			
M40	37 (Y)	Ground	Battery voltage	Battery voltage
M41	1 (Y)	Ground	0V	Battery voltage

- If NG, check the following.
- 7.5A fuse (No. 5, located in fuse block (J/B))
 - 10A fuse (No. 11, located in fuse block (J/B))
 - Harness for open or short between fuse and combination meter

Connector number Wire color



























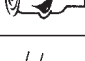



SGI144A

HOW TO FOLLOW TROUBLE DIAGNOSES

Key to Symbols Signifying Measurements or Procedures

Key to Symbols Signifying Measurements or Procedures

NFG10006S02

Symbol	Symbol explanation	Symbol	Symbol explanation
	Check after disconnecting the connector to be measured.		Procedure with Generic Scan Tool (GST, OBD-II scan tool)
	Check after connecting the connector to be measured.		Procedure without CONSULT-II or GST
	Insert key into ignition switch.		A/C switch is "OFF".
	Remove key from ignition switch.		A/C switch is "ON".
	Turn ignition switch to "OFF" position.		REC switch is "ON".
	Turn ignition switch to "ON" position.		REC switch is "OFF".
	Turn ignition switch to "START" position.		Fan switch is "ON". (At any position except for "OFF" position)
	Turn ignition switch from "OFF" to "ACC" position.		Fan switch is "OFF".
	Turn ignition switch from "ACC" to "OFF" position.		Apply positive voltage from battery with fuse directly to components.
	Turn ignition switch from "OFF" to "ON" position.		Drive vehicle.
	Turn ignition switch from "ON" to "OFF" position.		Disconnect battery negative cable.
	Do not start engine, or check with engine stopped.		Depress brake pedal.
	Start engine, or check with engine running.		Release brake pedal.
	Apply parking brake.		Depress accelerator pedal.
	Release parking brake.		Release accelerator pedal.

GI

MA

EM

LC

EC

FE

CL

MT

AT

AX

SU

BR

ST

RS

BT

HA


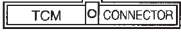
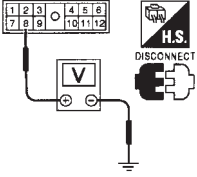
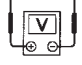



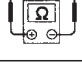
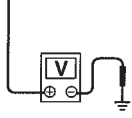
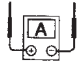


SC

EL

IDX

HOW TO FOLLOW TROUBLE DIAGNOSES

Key to Symbols Signifying Measurements or Procedures (Cont'd)

Symbol	Symbol explanation	Symbol	Symbol explanation
	Check after engine is warmed up sufficiently.		<p>Pin terminal check for SMJ type ECM and TCM connectors. For details regarding the terminal arrangement, refer to the foldout page.</p> 
	Voltage should be measured with a voltmeter.	<p>or</p> 	
	Circuit resistance should be measured with an ohmmeter.		
			
	Current should be measured with an ammeter.		
	Procedure with CONSULT-II		
	Procedure without CONSULT-II		

CONSULT-II CHECKING SYSTEM

Function and System Application

Function and System Application

NFGI0007S01

Diagnostic test mode	Function	ENGINE	A/T	ABS	TCS (Including ABS)	AIR BAG	SMART ENTRANCE	NVIS (NATS)*	GI
Work support	This mode enables a technician to adjust some devices faster and more accurate by following the indications on CONSULT-II.	x	x	—	—	—	x	—	MA EM
Self-diagnostic results	Self-diagnostic results can be read and erased quickly.	x	x	x	x	x	—	x	LC
Trouble diagnostic record	Current self-diagnostic results and all trouble diagnostic records previously stored can be read.	—	—	—	—	x	—	—	EC FE
ECU discriminated No.	Classification number of a replacement ECU can be read to prevent an incorrect ECU from being installed.	—	—	—	—	x	—	—	CL MT
Data monitor	Input/Output data in the ECU (ECM) can be read.	x	x	x	x	—	x	—	AT
Data monitor (Spec.)	The specified values will be displayed when an OK/NG judgement is difficult for the DATA MONITOR items by Barchart and Line Graph.	x	—	—	—	—	—	—	AX
CAN diagnosis support monitor	Indicates the communication condition of CAN communication line.	x	x	x	x	—	—	—	SU BR
DTC work support	This mode enables a technician to set operating conditions to confirm self-diagnosis status/results.	—	x	—	—	—	—	—	ST
Active test	Diagnostic Test Mode in which CONSULT-II drives some actuators apart from the ECMs and also shifts some parameters in a specified range.	x	—	x	x	—	x	—	RS BT
ECU (ECM) part number	ECU (ECM) part number can be read.	x	x	x	x	—	—	—	HA
Control unit initialization	All registered ignition key IDs in NATS components can be initialized and new IDs can be registered.	—	—	—	—	—	—	x	SC
SRT & DTC confirmation	The results of SRT (System Readiness Test) and the self-diagnosis status/results can be confirmed.	x	—	—	—	—	—	—	EL IDX

CONSULT-II CHECKING SYSTEM

Function and System Application (Cont'd)

Diagnostic test mode	Function	ENGINE	A/T	ABS	TCS (Including ABS)	AIR BAG	SMART ENTRANCE	NVIS (NATS)*
Function test	Conducted by CONSULT-II instead of a technician to determine whether each system is "OK" or "NG" (No Good).	x	x	x	x	x	—	—

x: Applicable

*: NVIS (NATS) [Nissan Vehicle Immobilizer System (Nissan Anti-Theft System)]

Nickel Metal Hydride Battery Replacement

NFG10007S04

CONSULT-II contains a nickel metal hydride battery. When replacing the battery obey the following:

WARNING:

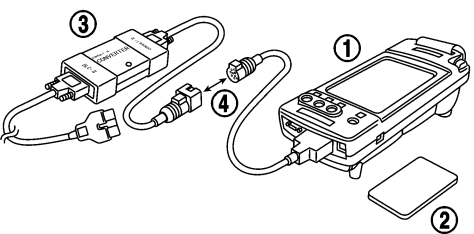
Replace the nickel metal hydride battery with Genuine CONSULT-II battery only. Use of another battery may present a risk of fire or explosion. The battery may present a fire or chemical burn hazard if mistreated. Do not recharge, disassemble or dispose of in fire.

Keep the battery out of reach of children and discard used battery conforming to the local regulations.

Checking Equipment

NFG10007S02

When ordering the below equipment, contact your NISSAN/INFINITI distributor.

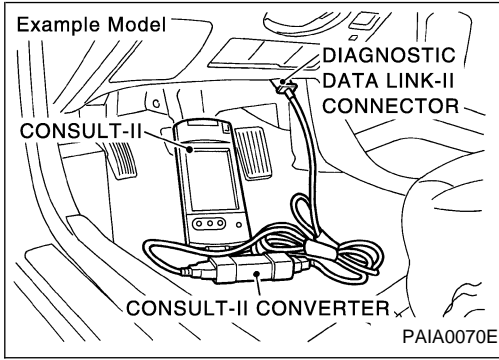
Tool name	Description
NISSAN CONSULT-II ① CONSULT-II unit (Tester internal software: Resident version 3.3.0) and accessories ② Program card AED03E and AEN02B ③ CONSULT-II CONVERTER ④ "CONSULT-II Pigtail" Cable	 <p>SAIA0363E</p>

NOTE:

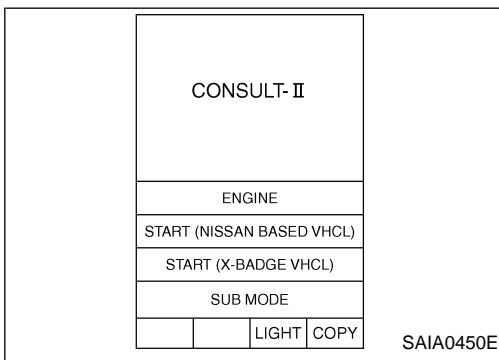
- The CONSULT-II must be used in conjunction with a program card. CONSULT-II does not require loading (Initialization) procedure.
- Be sure the CONSULT-II is turned off before installing or removing a program card.
- Previous CONSULT-II "Y" DLC-I and DLC-II cables should NOT be used anymore because their DDL connector pins can be damaged during cables swapping.

CONSULT-II Start Procedure

=NFGI0007S05



1. Turn off the ignition switch.
2. Connect CONSULT-II and CONSULT-II CONVERTER to the data link connector.



3. Turn on the ignition switch.
4. Touch "START (NISSAN BASED VHCL)" or "System shortcut" (eg: ENGINE) on the screen.

GI

MA

EM

LC

EC

FE

CL

MT

AT

AX

SU

BR

ST

RS

BT

HA

SC

EL

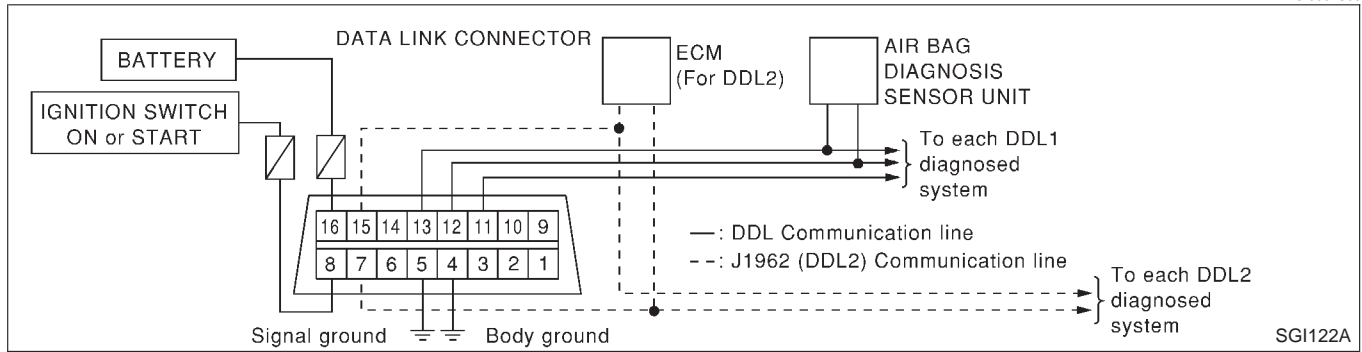
IDX

CONSULT-II CHECKING SYSTEM

CONSULT-II Data Link Connector (DLC) Circuit

CONSULT-II Data Link Connector (DLC) Circuit

=NFGI0007S03



INSPECTION PROCEDURE

NFGI0007S0301

If the CONSULT-II cannot diagnose the system properly, check the following items.

Symptom	Check item
CONSULT-II cannot access any system.	<ul style="list-style-type: none"> ● CONSULT-II DLC power supply circuit (Terminal 8) and ground circuit (Terminal 4) (For detailed circuit, refer to "MIL & Data Link Connectors Wiring Diagram" in EC section.) ● CONSULT-II DDL cable and CONSULT-II CONVERTER
CONSULT-II cannot access individual system. (Other systems can be accessed.)	<ul style="list-style-type: none"> ● CONSULT-II program card (Check the appropriate CONSULT-II program card for the system. Refer to "Checking Equipment" above.) ● Power supply and ground circuit for the control unite of the system (For detailed circuit, refer to wiring diagram for each system.) ● Open or short circuit between the system and CONSULT-II DLC (For detailed circuit, refer to wiring diagram for each system.)

NOTE:

The DDL1 and DDL2 circuits from DLC pins 12, 13, 14 and 15 may be connected to more than one system. A short in a DDL circuit connected to a control unit in one system may affect CONSULT-II access to other systems.

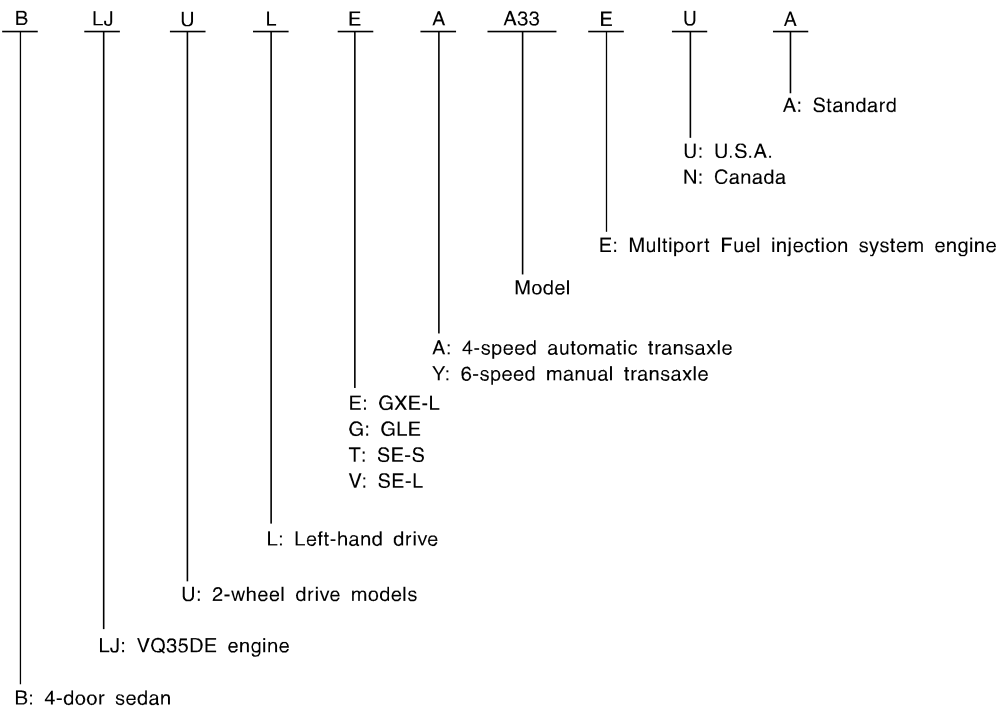
IDENTIFICATION INFORMATION

Model Variation

Model Variation					
Body	Engine	Grade	Transaxle	Destination	
				U.S.A.	Canada
Sedan	VQ35DE	GXE-L	RE4F04B (A/T)	BLJULEA-EUA	BLJULEA-ENA
		GLE		BLJULGA-EUA	BLJULGA-ENA
		SE-S		BLJULTA-EUA	BLJULTA-ENA
		SE-L		BLJULVA-EUA	BLJULVA-ENA
		SE-S	RS6F51A (M/T)	BLJULTY-EUA	BLJULTY-ENA
		SE-L		BLJULVY-EUA	BLJULVY-ENA

PREFIX AND SUFFIX DESIGNATIONS

NFGI0008S0101



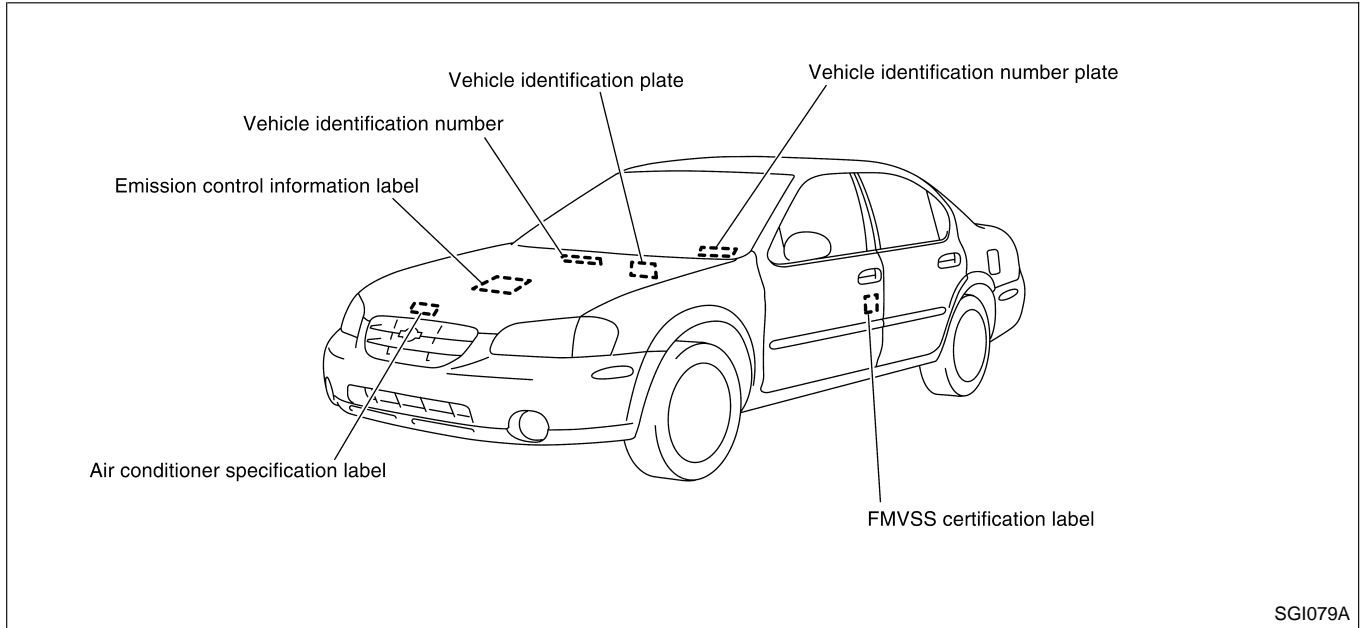
SGI089AC

IDENTIFICATION INFORMATION

Identification Number

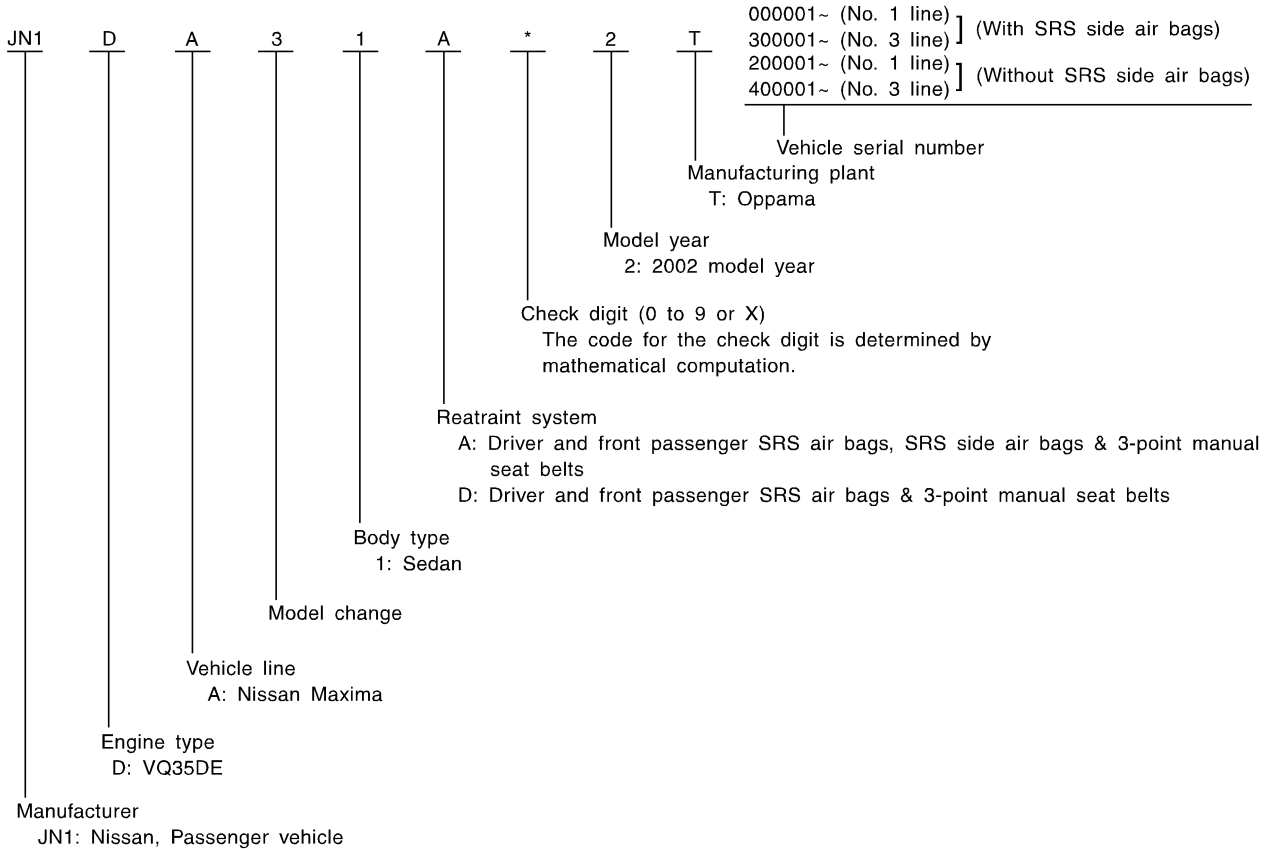
Identification Number

NFGI0008S02



VEHICLE IDENTIFICATION NUMBER ARRANGEMENT

NFGI0008S0201



SGI090AD

IDENTIFICATION INFORMATION

Identification Number (Cont'd)

IDENTIFICATION PLATE

NFGI0008S0202

NISSAN MOTOR CO., LTD. JAPAN			
型式	TYPE TIPO	△ 1	
CHASSIS NO. NO. DE CHASIS		△ 2	
MODEL MODELO		△ 3	
○ カラー-COLOR TRIM トリム COLOR GUARNICION		△ 4	△ 5
エン ENGINE ジン MOTOR		△ 6	△ 7
ミッション TRANS., AXLE アクスル TRANS., EJE		△ 8	△ 9
	工場	PLANT PLANTA	CC
日産自動車株式会社		MADE IN JAPAN	

- 1 Type
- 2 Vehicle identification number (Chassis number)
- 3 Model
- 4 Body color code
- 5 Trim color code
- 6 Engine model
- 7 Engine displacement
- 8 Transmission model
- 9 Axle model

MGI039A

GI

MA

EM

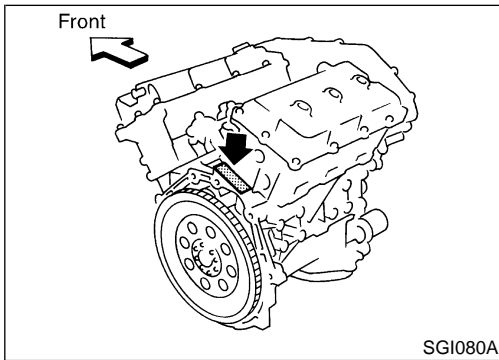
LC

EC

FE

CL

MT



ENGINE SERIAL NUMBER

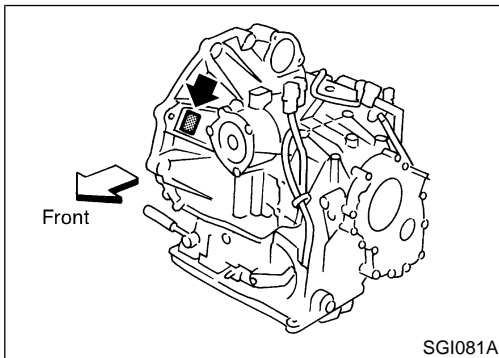
NFGI0008S0203

AT

AX

SU

BR



AUTOMATIC TRANSAXLE NUMBER

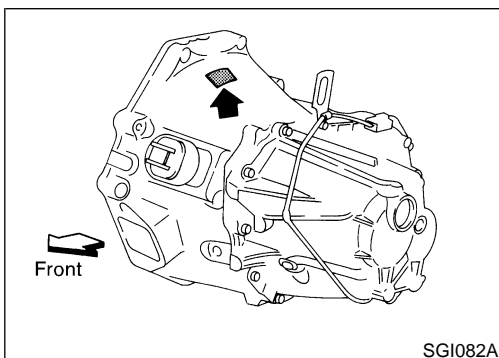
NFGI0008S0204

ST

RS

BT

HA



MANUAL TRANSAXLE NUMBER

NFGI0008S0205

SC

EL

IDX

IDENTIFICATION INFORMATION

Dimensions

Dimensions

NFG10008S03
Unit: mm (in)

Item	Sedan	
Overall length	4,863 (191.5)	
Overall width	1,785 (70.3)	
Overall height	1,430 (56.3)*3 1,440 (56.7)*4 1,450 (57.1)*5	
Front tread	1,530 (60.2)*1 1,520 (59.8)*2	
Rear tread	1,510 (59.4)*1 1,500 (59.1)*2	
Wheelbase	2,750 (108.3)	
Gross vehicle weight rating kg (lb)	See the "FMVSS certification label" on the driver's side lock pillar.	
Gross axle weight rating		Front kg (lb)
		Rear kg (lb)

*1: For models with road wheel size - 16 x 6.5JJ, 17 x 7JJ [offset 40 mm (1.57 in)]

*2: For models with aluminum wheel size - 17 x 7JJ [offset 45 mm (1.75 in)]

*3: For models with the tire size P215/55R16 91H

*4: For models with the tire size P225/50R17 93V

*5: For models with the tire size P215/55R17 93H

Wheels and Tires

NFG10008S04
Unit: mm (in)

Item	Size	Offset
Road wheel	Aluminum	16 x 6.5JJ 40 (1.57)
		17 x 7JJ 40 (1.57)*2
		17 x 7JJ 45 (1.77)*3
Tire size	Conventional	P215/55R16 91H P215/55R17 93H P225/50R17 93V
	Spare	Conventional*1 T125/70D16 T125/90D16 T135/70D16 T135/90D16

*1: For option

*2: For P215/55R17 91H

*3: For P225/50R17 93V

LIFTING POINTS AND TOW TRUCK TOWING

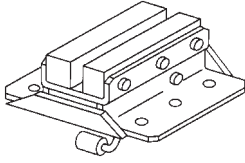
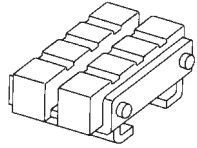
Preparation

Preparation SPECIAL SERVICE TOOLS

NFGI0009S01

NFGI0009S0101

The actual shapes of Kent-Moore tools may differ from those of special service tools illustrated here.

Tool number (Kent-Moore number) Tool name	Description
LM4086-0200 (—) Board on attachment	 <p>NT001</p>
LM4519-0000 (—) Safety stand attachment	 <p>NT002</p>

GI

MA

EM

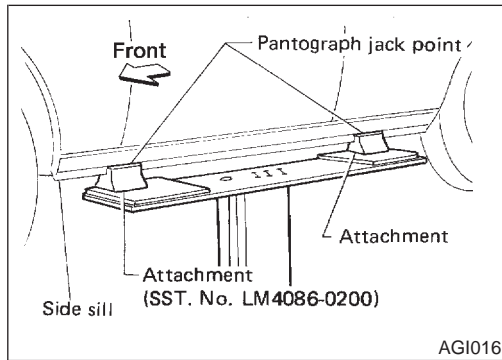
LC

EC

FE

CL

MT



AGI016

Board-on Lift

NFGI0009S02

CAUTION:

Make sure vehicle is empty when lifting.

- The board-on lift attachment (LM4086-0200) set at front end of vehicle should be set on the front of the sill under the front door opening.
- Position attachments at front and rear ends of board-on lift.

AT

AX

SU

BR

ST

RS

BT

HA

SC

EL

IDX

LIFTING POINTS AND TOW TRUCK TOWING

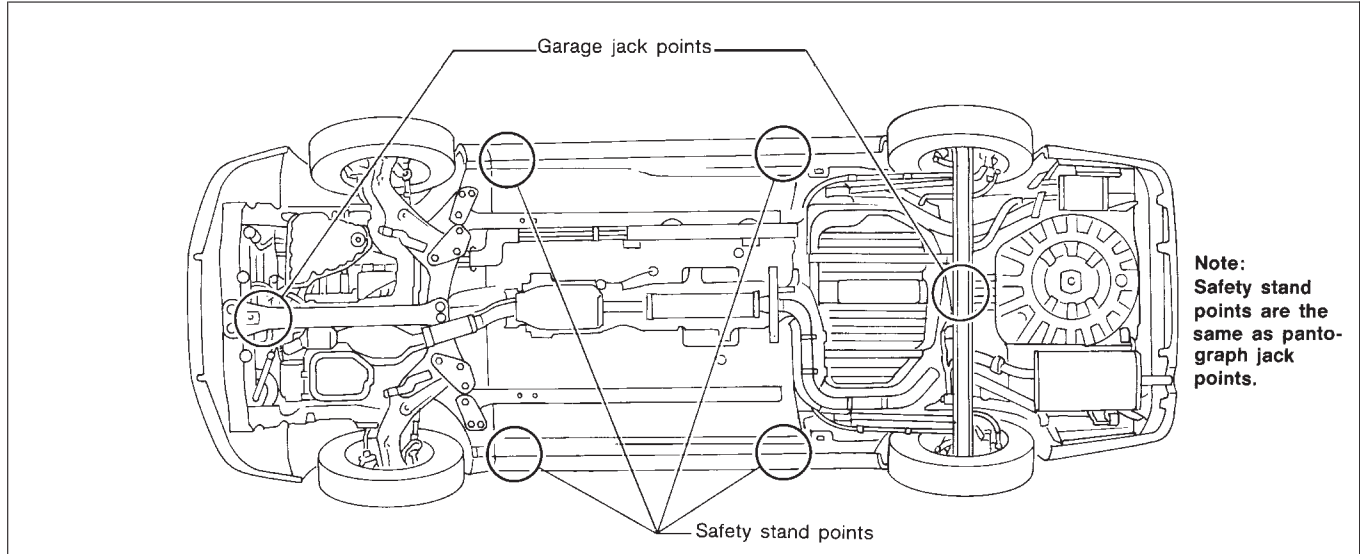
Garage Jack and Safety Stand

Garage Jack and Safety Stand

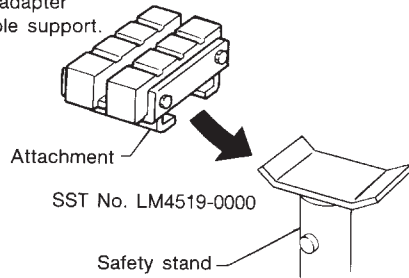
=NFG10009S03

WARNING:

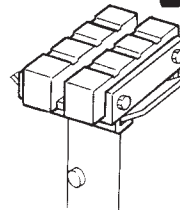
- Never get under the vehicle while it is supported only by the jack. Always use safety stands when you have to get under the vehicle.
- Place wheel chocks at both front and back of the wheels on the ground.



Use safety stand adapter as shown for stable support.



Fit the lower side sill into groove.



SGI902

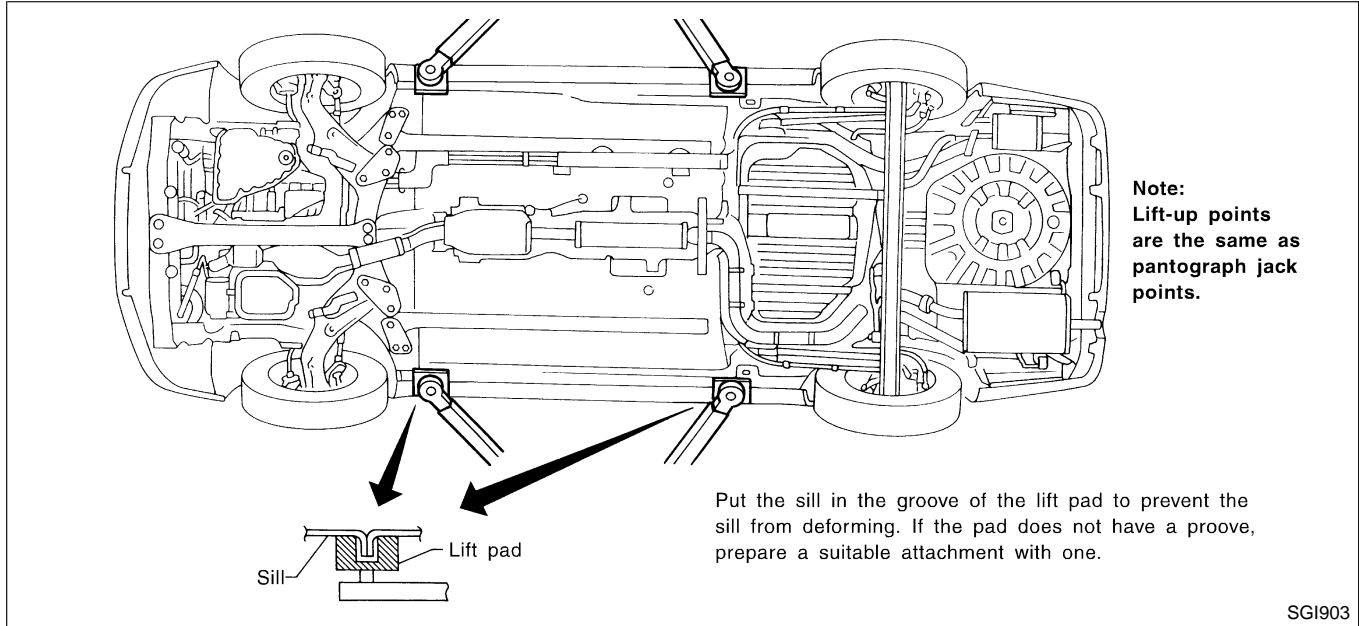
2-pole Lift

=NFGI0009S04

WARNING:

When lifting the vehicle, open the lift arms as wide as possible and ensure that the front and rear of the vehicle are well balanced.

When setting the lift arm, do not allow the arm to contact the brake tubes, brake cable, fuel lines and sill spoiler.



GI

MA

EM

LC

EC

FE

CL

MT

AT

SGI903

AX

SU

BR

ST

RS

BT

HA

SC

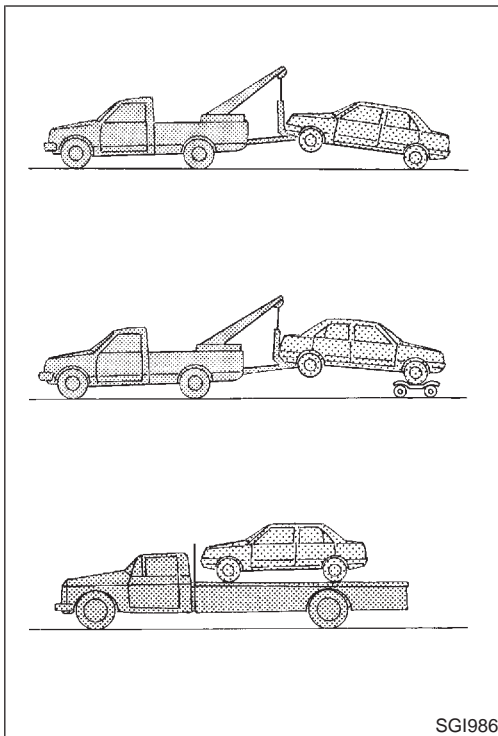
EL

IDX

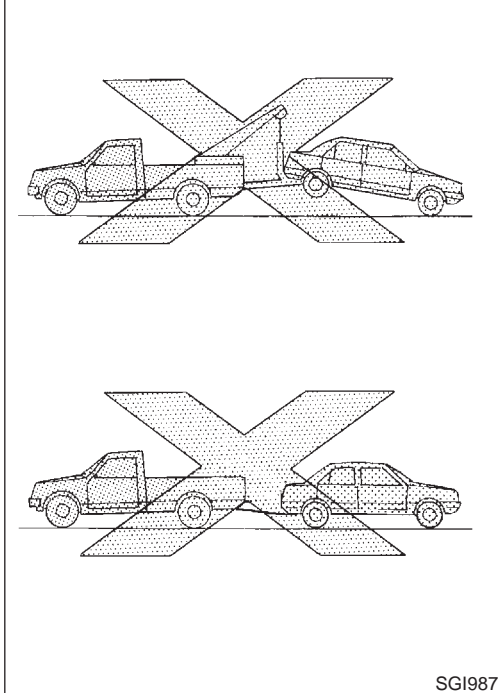
LIFTING POINTS AND TOW TRUCK TOWING

Tow Truck Towing

NFG10009S05



Automatic transaxle model



Tow Truck Towing

CAUTION:

- All applicable state or Provincial (in Canada) laws and local laws regarding the towing operation must be obeyed.
- It is necessary to use proper towing equipment to avoid possible damage to the vehicle during towing operation. Towing is in accordance with Towing Procedure Manual at dealer.
- Always attach safety chains before towing.
- When towing, make sure that the transmission, steering system and power train are in good order. If any unit is damaged, dollies must be used.

NISSAN recommends that the vehicle be towed with the driving (front) wheels off the ground as illustrated.

CAUTION:

- Always release the parking brake when towing the vehicle with the front wheels raised with the rear wheels on the ground.
- When towing manual transaxle models with the front wheels on the ground (If a towing dollies does not be used), turn the ignition key to the OFF position, and secure the steering wheel in the straight-ahead position with a rope or similar device. Never place the ignition key in the LOCK position. This will result in damage to the steering lock mechanism.
Move the shift lever to the N (Neutral) position.
- Never tow an automatic transaxle model with the rear wheels raised and the front wheels on the ground. This may cause serious and expensive damage to the transaxle. If it is necessary to tow the vehicle with the rear wheels raised, always use towing dollies under the front wheels.
- Never tow an automatic transaxle model from the rear (that is backward) with four wheels on the ground. This may cause serious and expensive damage to the transaxle.

VEHICLE RECOVERY (FREEING A STUCK VEHICLE)

NFG10009S0501

- Tow chains or cables must be attached only to the main structural members of the vehicle.
- Pulling devices should be routed so they do not touch any part of the suspension, steering, brake or cooling systems.
- Always pull the cable straight out from the front or rear of the vehicle. Never pull on the vehicle at an angle.
- Pulling devices such as ropes or canvas straps are not recommended for use in vehicle towing or recovery.

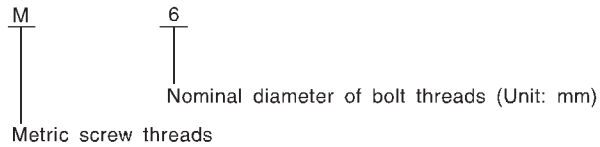
TIGHTENING TORQUE OF STANDARD BOLTS

Grade	Bolt size	Bolt diameter * mm	Pitch mm	Tightening torque (Without lubricant)							
				Hexagon head bolt				Hexagon flange bolt			
				N·m	kg·m	ft·lb	in·lb	N·m	kg·m	ft·lb	in·lb
4T	M6	6.0	1.0	5.1	0.52	3.8	45.1	6.1	0.62	4.5	53.8
	M8	8.0	1.25	13	1.3	9	—	15	1.5	11	—
			1.0	13	1.3	9	—	16	1.6	12	—
	M10	10.0	1.5	25	2.5	18	—	29	3.0	22	—
			1.25	25	2.6	19	—	30	3.1	22	—
			1.75	42	4.3	31	—	51	5.2	38	—
	M12	12.0	1.25	46	4.7	34	—	56	5.7	41	—
1.5			74	7.5	54	—	88	9.0	65	—	
M14	14.0	1.5	74	7.5	54	—	88	9.0	65	—	
7T	M6	6.0	1.0	8.4	0.86	6.2	74.6	10	1.0	7	87
	M8	8.0	1.25	21	2.1	15	—	25	2.5	18	—
			1.0	22	2.2	16	—	26	2.7	20	—
	M10	10.0	1.5	41	4.2	30	—	48	4.9	35	—
			1.25	43	4.4	32	—	51	5.2	38	—
	M12	12.0	1.75	71	7.2	52	—	84	8.6	62	—
			1.25	77	7.9	57	—	92	9.4	68	—
M14	14.0	1.5	127	13.0	94	—	147	15.0	108	—	
9T	M6	6.0	1.0	12	1.2	9	—	15	1.5	11	—
	M8	8.0	1.25	29	3.0	22	—	35	3.6	26	—
			1.0	31	3.2	23	—	37	3.8	27	—
	M10	10.0	1.5	59	6.0	43	—	70	7.1	51	—
			1.25	62	6.3	46	—	74	7.5	54	—
	M12	12.0	1.75	98	10.0	72	—	118	12.0	87	—
			1.25	108	11.0	80	—	137	14.0	101	—
M14	14.0	1.5	177	18.0	130	—	206	21.0	152	—	

*: Nominal diameter

- 1) **Special parts are excluded.**
- 2) **This standard is applicable to bolts having the following marks embossed on the bolt head.**

Grade	Mark
4T	4
7T	7
9T	9



RECOMMENDED CHEMICAL PRODUCTS AND SEALANTS

Refer to the following chart for help in selecting the appropriate chemical product or sealant.

Recommended Chemical Products and Sealants

	Product Description	Purpose	Nissan North America Part No. (USA)	Nissan Canada Part No. (Canada)	Aftermarket Cross Reference Part Nos.
1	Rear View Mirror Adhesive	Used to permanently remount rear view mirrors to windows.	999MP-AM000P	99998-50505	Permatex 81844
2	Anaerobic Liquid Gasket	For metal-to-metal flange sealing. Can fill a 0.38 mm (0.015 inch) gap and provide instant sealing for most powertrain applications.	999MP-AM001P	99998-50503	Permatex 51813 and 51817
3	High Performance Thread Sealant	Provides instant sealing on any threaded straight or parallel threaded fitting. (Thread sealant only, no locking ability.) ● Do not use on plastic.	999MP-AM002P	999MP-AM002P	Permatex 56521
4	Silicone RTV	Gasket Maker	999MP-AM003P (Ultra Grey)	99998-50506 (Ultra Grey)	Permatex Ultra Grey 82194; Three Bond 1207, 1215, 1216, 1217F and 1217G; Nissan RTV Part No. 999MP-A7007
		Gasket Maker for Maxima/Quest 5-speed automatic transmission (RE5F22A)	—	—	Three Bond 1281B or exact equivalent in its quality
5	High Temperature, High Strength Thread Locking Sealant (Red)	Threadlocker	999MP-AM004P	999MP-AM004P	Permatex 27200; Three Bond 1360, 1360N, 1305 N&P, 1307N, 1335, 1335B, 1363B, 1377C, 1386B, D&E and 1388
6	Medium Strength Thread Locking Sealant (Blue)	Threadlocker (service tool removable)	999MP-AM005P	999MP-AM005P	Permatex 24200, 24206, 24240, 24283 and 09178; Three Bond 1322, 1322N, 1324 D&N, 1333D, 1361C, 1364D, 1370C and 1374

SAE J1930 TERMINOLOGY LIST

SAE J1930 Terminology List

SAE J1930 Terminology List

NFI0011S01

All emission related terms used in this publication in accordance with SAE J1930 are listed. Accordingly, new terms, new acronyms/abbreviations and old terms are listed in the following chart.

***: Not applicable

NEW TERM	NEW ACRONYM / ABBREVIATION	OLD TERM	
Air cleaner	ACL	Air cleaner	MA
Barometric pressure sensor	BARO sensor	***	EM
Barometric pressure sensor-BCDD	BAROS-BCDD	BCDD	LC
Camshaft position	CMP	***	
Camshaft position sensor	CMPS	Crank angle sensor	EC
Canister	***	Canister	
Carburetor	CARB	Carburetor	FE
Charge air cooler	CAC	Intercooler	
Closed loop	CL	Closed loop	CL
Closed throttle position switch	CTP switch	Idle switch	
Clutch pedal position switch	CPP switch	Clutch switch	MT
Continuous fuel injection system	CFI system	***	
Continuous trap oxidizer system	CTOX system	***	AT
Crankshaft position	CKP	***	
Crankshaft position sensor	CKPS	***	AX
Data link connector	DLC	***	
Diagnostic test mode	DTM	Diagnostic mode	SU
Diagnostic test mode selector	DTM selector	Diagnostic mode selector	
Diagnostic test mode I	DTM I	Mode I	BR
Diagnostic test mode II	DTM II	Mode II	
Diagnostic trouble code	DTC	Malfunction code	ST
Direct fuel injection system	DFI system	***	RS
Distributor ignition system	DI system	Ignition timing control	
Early fuel evaporation-mixture heater	EFE-mixture heater	Mixture heater	BT
Early fuel evaporation system	EFE system	Mixture heater control	
Electrically erasable programmable read only memory	EEPROM	***	HA
Electronic ignition system	EI system	Ignition timing control	SC
Engine control	EC	***	
Engine control module	ECM	ECCS control unit	EL
Engine coolant temperature	ECT	Engine temperature	
Engine coolant temperature sensor	ECTS	Engine temperature sensor	IDX
Engine modification	EM	***	
Engine speed	RPM	Engine speed	

SAE J1930 TERMINOLOGY LIST

SAE J1930 Terminology List (Cont'd)

NEW TERM	NEW ACRONYM / ABBREVIATION	OLD TERM
Erasable programmable read only memory	EPROM	***
Evaporative emission canister	EVAP canister	Canister
Evaporative emission system	EVAP system	Evaporative emission control system
Exhaust gas recirculation valve	EGR valve	EGR valve
Exhaust gas recirculation control-BPT valve	EGRC-BPT valve	BPT valve
Exhaust gas recirculation control-solenoid valve	EGRC-solenoid valve	EGR control solenoid valve
Exhaust gas recirculation temperature sensor	EGRT sensor	Exhaust gas temperature sensor
EGR temperature sensor		
Flash electrically erasable programmable read only memory	FEEPROM	***
Flash erasable programmable read only memory	FEPRM	***
Flexible fuel sensor	FFS	***
Flexible fuel system	FF system	***
Fuel level sensor	***	***
Fuel pressure regulator	***	Pressure regulator
Fuel pressure regulator control solenoid valve	***	PRVR control solenoid valve
Fuel tank temperature sensor	FTT sensor	Tank fuel temperature sensor
Fuel trim	FT	***
Heated oxygen sensor	HO2S	Exhaust gas sensor
Idle air control system	IAC system	Idle speed control
Idle air control valve-air regulator	IACV-air regulator	Air regulator
Idle air control valve-auxiliary air control valve	IACV-AAC valve	Auxiliary air control (AAC) valve
Idle air control valve-FICD solenoid valve	IACV-FICD solenoid valve	FICD solenoid valve
Idle air control valve-idle up control solenoid valve	IACV-idle up control solenoid valve	Idle up control solenoid valve
Idle speed control-FI pot	ISC-FI pot	FI pot
Idle speed control system	ISC system	***
Ignition control	IC	***
Ignition control module	ICM	***
Indirect fuel injection system	IFI system	***
Intake air	IA	Air
Intake air temperature sensor	IAT sensor	Air temperature sensor
Knock	***	Detonation
Knock sensor	KS	Detonation sensor

SAE J1930 TERMINOLOGY LIST

SAE J1930 Terminology List (Cont'd)

NEW TERM	NEW ACRONYM / ABBREVIATION	OLD TERM	
Malfunction indicator lamp	MIL	Check engine light	GI
Manifold absolute pressure	MAP	***	MA
Manifold absolute pressure sensor	MAPS	***	
Manifold differential pressure	MDP	***	EM
Manifold differential pressure sensor	MDPS	***	
Manifold surface temperature	MST	***	LC
Manifold surface temperature sensor	MSTS	***	
Manifold vacuum zone	MVZ	***	EC
Manifold vacuum zone sensor	MVZS	***	
Mass air flow sensor	MAFS	Air flow meter	FE
Mixture control solenoid valve	MC solenoid valve	Air-fuel ratio control solenoid valve	
Multiport fuel injection system	MFI system	Fuel injection control	CL
Nonvolatile random access memory	NVRAM	***	MT
On board diagnostic system	OBD system	Self-diagnosis	
Open loop	OL	Open loop	AT
Oxidation catalyst	OC	Catalyst	
Oxidation catalytic converter system	OC system	***	AX
Oxygen sensor	O2S	Exhaust gas sensor	
Park position switch	***	Park switch	SU
Park/neutral position switch	PNP switch	Park/neutral switch Inhibitor switch Neutral position switch	BR
Periodic trap oxidizer system	PTOX system	***	
Positive crankcase ventilation	PCV	Positive crankcase ventilation	ST
Positive crankcase ventilation valve	PCV valve	PCV valve	
Powertrain control module	PCM	***	RS
Programmable read only memory	PROM	***	
Pulsed secondary air injection control solenoid valve	PAIRC solenoid valve	AIV control solenoid valve	BT
Pulsed secondary air injection system	PAIR system	Air induction valve (AIV) control	HA
Pulsed secondary air injection valve	PAIR valve	Air induction valve	
Random access memory	RAM	***	SC
Read only memory	ROM	***	
Scan tool	ST	***	EL
Secondary air injection pump	AIR pump	***	
Secondary air injection system	AIR system	***	IDX
Sequential multiport fuel injection system	SFI system	Sequential fuel injection	
Service reminder indicator	SRI	***	

SAE J1930 TERMINOLOGY LIST

SAE J1930 Terminology List (Cont'd)

NEW TERM	NEW ACRONYM / ABBREVIATION	OLD TERM
Simultaneous multiport fuel injection system	***	Simultaneous fuel injection
Smoke puff limiter system	SPL system	***
Supercharger	SC	***
Supercharger bypass	SCB	***
System readiness test	SRT	***
Thermal vacuum valve	TVV	Thermal vacuum valve
Three way catalyst	TWC	Catalyst
Three way catalytic converter system	TWC system	***
Three way + oxidation catalyst	TWC + OC	Catalyst
Three way + oxidation catalytic converter system	TWC + OC system	***
Throttle body	TB	Throttle chamber SPI body
Throttle body fuel injection system	TBI system	Fuel injection control
Throttle position	TP	Throttle position
Throttle position sensor	TPS	Throttle sensor
Throttle position switch	TP switch	Throttle switch
Torque converter clutch solenoid valve	TCC solenoid valve	Lock-up cancel solenoid Lock-up solenoid
Transmission control module	TCM	A/T control unit
Turbocharger	TC	Turbocharger
Vehicle speed sensor	VSS	Vehicle speed sensor
Volume air flow sensor	VAFS	Air flow meter
Warm up oxidation catalyst	WU-OC	Catalyst
Warm up oxidation catalytic converter system	WU-OC system	***
Warm up three way catalyst	WU-TWC	Catalyst
Warm up three way catalytic converter system	WU-TWC system	***
Wide open throttle position switch	WOTP switch	Full switch