

SECTION

TF

CONTENTS

PREPARATION4
 Special Service Tools4
 Commercial Service Tools9

TX10A

NOISE, VIBRATION AND HARSHNESS (NVH)
TROUBLESHOOTING10
 NVH Troubleshooting Chart10
 TRANSFER10
DESCRIPTION11
 Cross-sectional View11
ON-VEHICLE SERVICE12
 Replacing Oil Seal12
 CENTER CASE OIL SEAL12
 SHIFT SHAFT OIL SEAL13
 REAR OIL SEAL13
 Position Switch Check14
REMOVAL AND INSTALLATION15
 Removal15
 Installation15
 M/T MODEL15
 A/T MODEL15
OVERHAUL16
 Transfer Gear Control16
 Case Components17
 Gear Components18
 Shift Control Components19
DISASSEMBLY20
REPAIR FOR COMPONENT PARTS24
 Mainshaft24
 DISASSEMBLY24
 INSPECTION25
 ASSEMBLY25
 Front Drive Shaft26
 DISASSEMBLY26
 INSPECTION26
 ASSEMBLY26
 Counter Gear26
 DISASSEMBLY26

INSPECTION27
 ASSEMBLY27
 Main Gear27
 DISASSEMBLY27
 INSPECTION28
 ASSEMBLY28
 Front Case28
 REMOVAL28
 INSTALLATION29
 Front Case Cover29
 REMOVAL29
 INSTALLATION29
 Bearing Retainer29
 REMOVAL29
 INSTALLATION29
 Center Case30
 REMOVAL30
 INSTALLATION30
 Rear Case30
 REMOVAL30
 INSTALLATION30
 Shift Control Components31
 INSPECTION31
ASSEMBLY32
SERVICE DATA AND SPECIFICATIONS (SDS)39
 General Specifications39
 Gear End Play39
 Available Snap Ring39
 MAINSHAFT FRONT BEARING39
 MAINSHAFT REAR BEARING39
 MAIN GEAR BEARING39
 Available Shim40
 COUNTER GEAR REAR BEARING40

ATX14A

PRECAUTIONS41
 Supplemental Restraint System (SRS) "AIR BAG" and "SEAT BELT PRE-TENSIONER"41
 Precautions41
 Service Notice42

CONTENTS (Cont'd)

Wiring Diagrams and Trouble Diagnosis.....	42	REMOVAL AND INSTALLATION OF TRANSFER CONTROL UNIT	89
ALL-MODE 4WD SYSTEM	43	INSPECTION OF TRANSFER CONTROL UNIT.....	89
Cross-sectional View	43	TRANSFER CONTROL UNIT INSPECTION TABLE	90
Control System	44	DTC U1000 CAN COMMUNICATION LINE (WITH VDC)	96
ALL-MODE 4WD TRANSFER BASIC CONTROL	45	Description	96
HYDRAULIC CONTROL CIRCUITS.....	45	On Board Diagnosis Logic.....	96
OUTLINE	45	Possible Cause.....	96
CONTROL SYSTEM DIAGRAM	46	DTC Confirmation Procedure	96
INDICATIONS OF 4WD WARNING LAMP.....	46	Ⓟ WITH CONSULT-II	96
CAN Communication (With VDC).....	47	Ⓜ WITH GST	96
SYSTEM DESCRIPTION	47	Diagnostic Procedure	97
INPUT/OUTPUT SIGNAL CHART.....	47	VEHICLE SPEED SENSOR (FRONT REVOLUTION SENSOR) (WITHOUT VDC)	98
Location of Electrical Parts.....	49	Diagnostic Procedure	98
Description of Electrical Parts	50	4WD SOLENOID VALVE	101
TRANSFER MOTOR	50	Diagnostic Procedure	101
WAIT DETECTION SWITCH	50	2-4WD SHIFT SOLENOID VALVE AND 4WD SHIFT SWITCH	103
2-4WD SHIFT SOLENOID VALVE	51	Diagnostic Procedure	103
LINE PRESSURE SWITCH.....	51	TRANSFER MOTOR AND TRANSFER MOTOR RELAY	107
Circuit Diagram for Quick Pinpoint Check.....	52	Diagnostic Procedure	107
Wiring Diagram - TF -.....	53	TRANSFER FLUID TEMPERATURE SENSOR	110
ON BOARD DIAGNOSTIC SYSTEM DESCRIPTION	62	Diagnostic Procedure	110
Trouble Diagnosis without CONSULT-II	62	ATP SWITCH, WAIT DETECTION SWITCH AND NEUTRAL-4LO SWITCH	113
DESCRIPTION	62	Diagnostic Procedure	113
SELF-DIAGNOSTIC PROCEDURE.....	63	CLUTCH PRESSURE SWITCH	117
INDICATIONS OF 4WD WARNING LAMP.....	64	Diagnostic Procedure	117
Trouble Diagnosis with CONSULT-II	65	LINE PRESSURE SWITCH	120
CONSULT-II FUNCTION	65	Diagnostic Procedure	120
SELF-DIAGNOSIS	65	ABS OPERATION SIGNAL (WITHOUT VDC)	123
SELF-DIAGNOSTIC ITEMS	67	Diagnostic Procedure	123
DATA MONITOR.....	68	DATA ERASE/DISPLAY	125
DATA MONITOR ITEMS.....	70	Diagnostic Procedure	125
REFERENCE VALUE IN DATA MONITOR MODE	72	SHIFT ACTUATOR	126
WORK SUPPORT.....	75	Diagnostic Procedure	126
CLUTCH FORCE RELEASE LIMIT ADJUSTMENT	76	SHIFT ACTUATOR POSITION SWITCH	129
TROUBLE DIAGNOSIS - INTRODUCTION	77	Diagnostic Procedure	129
Introduction	77	SHIFT ACTUATOR CIRCUIT	131
DESCRIPTION	77	Diagnostic Procedure	131
DIAGNOSTIC WORKSHEET.....	77	TROUBLE DIAGNOSES FOR SYMPTOMS	135
Work Flow.....	79	Symptom 1. 4WD Shift Indicator Lamp Does Not Turn ON	135
HOW TO PERFORM TROUBLE DIAGNOSES FOR QUICK AND ACCURATE REPAIR.....	79	Symptom 2. 4WD Warning Lamp Does Not Turn ON.....	137
TROUBLE DIAGNOSIS - BASIC INSPECTION	80	Symptom 3. 4WD Shift Indicator Lamp Does Not Turn OFF	139
Listen to Customer Complaints	80	Symptom 4. ATP Warning Lamp Does Not Turn ON.....	139
Transfer Fluid Check	80		
Road Test.....	80		
PREPARATION FOR ROAD TEST	80		
1. CHECK BEFORE ENGINE IS STARTED	81		
2. CHECK AT IDLE	82		
3. CRUISE TEST	86		
TROUBLE DIAGNOSIS - GENERAL DESCRIPTION	89		
Transfer Control Unit Terminals and Reference Value	89		

CONTENTS (Cont'd)

Symptom 5. 4LO Indicator Lamp Does Not Turn ON.....	141	REMOVAL AND INSTALLATION	156	GI
Symptom 6. 4WD Shift Indicator Lamp Does Not Indicate "4H".....	143	Removal.....	156	MA
Symptom 7. 4WD Shift Indicator Lamp Repeats Flickering.....	144	Installation.....	156	EM
Symptom 8. Tight Corner Braking Symptom.....	145	OVERHAUL	157	EM
Symptom 9. 4WD System Does Not Operate.....	146	Transfer Gear Control.....	157	EM
COMPONENT INSPECTION	148	Transfer Components.....	158	LC
4WD Shift Switch.....	148	DISASSEMBLY	160	LC
2-4WD Shift Solenoid Valve and Transfer Fluid Temperature Sensor.....	148	Rear Case.....	160	EC
4WD Solenoid Valve, Clutch Pressure Switch and Line Pressure Switch.....	148	DISASSEMBLY.....	160	EC
Front Revolution Sensor.....	149	Center Case.....	160	EC
Transfer Dropping Resistor.....	149	DISASSEMBLY.....	160	FE
ATP Switch, Neutral-4LO Switch and Wait Detection Switch.....	149	Front Case.....	170	FE
Transfer Motor.....	150	DISASSEMBLY.....	170	FE
Transfer Motor Relay.....	150	REPAIR FOR COMPONENT PARTS	174	FE
Transfer Sub-harness.....	150	Front Case.....	174	CL
FRONT REVOLUTION SENSOR SUB-HARNESS CONNECTOR.....	150	INSPECTION.....	174	CL
TRANSFER SWITCH ASSEMBLY SUB-HARNESS CONNECTOR.....	151	Center Case.....	175	MT
TRANSFER TERMINAL CORD ASSEMBLY SUB-HARNESS CONNECTOR.....	151	INSPECTION.....	175	MT
Transfer Shift Relay (High & low).....	151	ASSEMBLY	178	MT
Actuator & Actuator Position Switch.....	152	Front Case.....	178	AT
ACTUATOR.....	152	ASSEMBLY.....	178	AT
ACTUATOR POSITION SWITCH.....	152	Center Case.....	182	AT
ON-VEHICLE SERVICE	153	ASSEMBLY.....	182	AT
Replacing Oil Seal.....	153	Final Assembly.....	190	TF
FRONT CASE OIL SEAL.....	153	SERVICE DATA AND SPECIFICATIONS (SDS)	193	TF
SHIFT SHAFT OIL SEAL.....	154	General Specifications.....	193	PD
REAR OIL SEAL.....	154	Inner Gear and Outer Gear.....	193	PD
Transfer Motor.....	155	SUB-OIL PUMP.....	193	AX
REMOVAL.....	155	MAIN OIL PUMP.....	193	AX
INSTALLATION.....	155	Control Valve.....	193	AX
Transfer Oil Filter.....	155	VALVE.....	193	SU
REMOVAL.....	155	SPRING.....	193	SU
INSTALLATION.....	155	Clutch.....	194	SU
		DRIVE PLATE.....	194	BR
		DRIVEN PLATE.....	194	BR
		RETURN SPRING.....	194	ST
		RETAINING PLATE.....	194	ST
		Seal Ring (Mainshaft side).....	195	RS
		Bearing Race (Thrust needle bearing side).....	195	RS
		Snap Ring (Sun gear side).....	195	RS

GI
MA
EM
LC
EC
FE
CL
MT
AT
TF
PD
AX
SU
BR
ST
RS
BT
HA
SC
EL
IDX

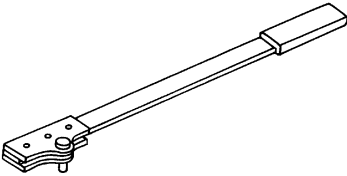
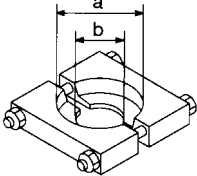
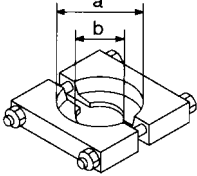
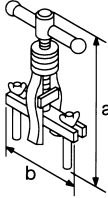
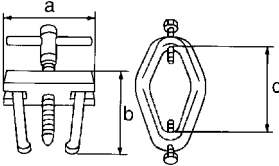
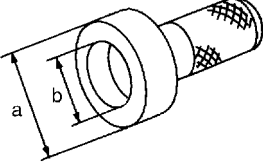
PREPARATION

Special Service Tools

Special Service Tools

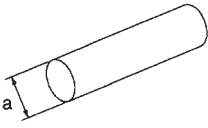
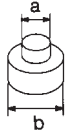
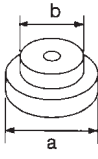
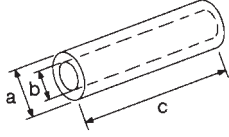
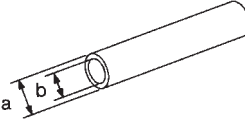
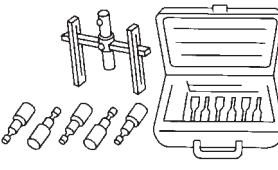
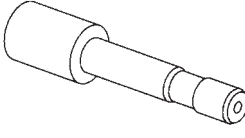
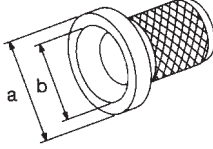
NATF0093

The actual shapes of Kent-Moore tools may differ from those of special service tools illustrated here.

Tool number (Kent-Moore No.) Tool name	Description	
KV38108300 (J44195) Companion flange wrench		Removing companion flange nut Installing companion flange nut
ST30021000 (J22912-01) Puller		Removing low gear Removing counter gear front bearing (Use with ST36710010) Removing L & H hub a: 110 mm (4.33 in) dia. b: 68 mm (2.68 in) dia.
ST30031000 (J22912-01) Puller		Removing counter gear rear bearing (Use with ST36710010) a: 90 mm (3.54 in) dia. b: 50 mm (1.97 in) dia.
ST33290001 (J25810-A) Puller		Removing center case oil seal Removing rear oil seal a: 250 mm (9.84 in) b: 160 mm (6.30 in)
ST33051001 (J22888) Puller		Removing companion flange a: 135 mm (5.31 in) b: 100 mm (3.94 in) c: 130 mm (5.12 in)
ST30720000 1 (J25273) 2 (J25405) Drift		1 Installing center case oil seal 2 Installing rear oil seal a: 77 mm (3.03 in) dia. b: 55.5 mm (2.185 in) dia.

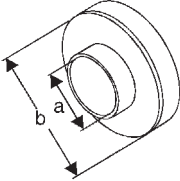
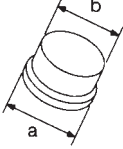
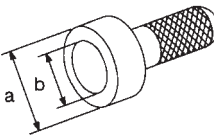
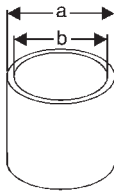
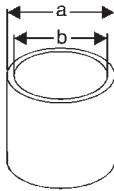
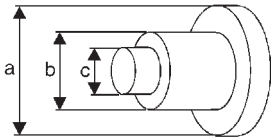
PREPARATION

Special Service Tools (Cont'd)

Tool number (Kent-Moore No.) Tool name	Description		
ST36710010 (—) Drift	 NT063	Removing counter gear front bearing (Use with ST30021000) Removing counter gear rear bearing (Use with ST30031000) a: 34.5 mm (1.358 in) dia.	GI MA EM
ST33061000 (J8107-2) Drift	 NT116	Removing main gear bearing a: 28.5 mm (1.122 in) dia. b: 38 mm (1.50 in) dia.	LC EC
ST30613000 1 (J25742-3) 2 (J34339) Drift	 NT073	1 Installing main gear bearing 2 Installing front case cover oil seal a: 72 mm (2.83 in) dia. b: 48 mm (1.89 in) dia.	FE CL MT
(J35864) Drift	 NT117	Installing shift shaft oil seal a: 26 mm (1.02 in) dia. b: 20 mm (0.79 in) dia. c: 150 mm (5.91 in)	AT TF
(J26092) Drift	 NT065	Seating counter gear assembly a: 44.5 mm (1.752 in) dia. b: 38.5 mm (1.516 in) dia.	PD AX
(J34291) Shim setting gauge set	 NT101	Selecting counter gear rear bearing shim	SU BR
(J34291-20) Plunger-shim setting gauge	 NT118	Selecting counter gear rear bearing shim	ST RS
KV40100621 (J26091) Drift	 NT086	Installing front drive shaft bearing a: 76 mm (2.99 in) dia. b: 69 mm (2.72 in) dia.	BT HA SC

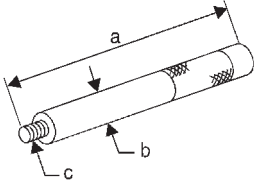
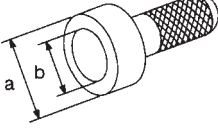
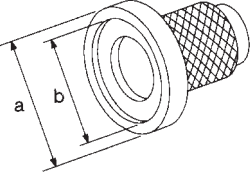
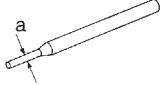
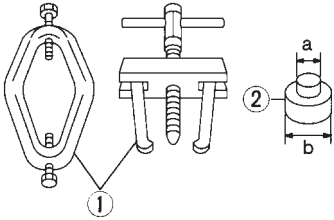
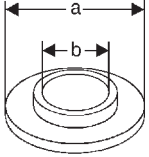
PREPARATION

Special Service Tools (Cont'd)

Tool number (Kent-Moore No.) Tool name	Description
ST30032000 (—) Base	<div style="display: flex; align-items: center;">  <div style="margin-left: 20px;"> <p>Installing front drive shaft bearing a: 38 mm (1.50 in) dia. b: 80 mm (3.15 in) dia.</p> </div> </div> <p style="text-align: center;">NT660</p>
ST33052000 (—) Adapter	<div style="display: flex; align-items: center;">  <div style="margin-left: 20px;"> <p>Removing front drive shaft bearing a: 28 mm (1.10 in) dia. b: 22 mm (0.87 in) dia.</p> </div> </div> <p style="text-align: center;">NT431</p>
ST35271000 (J26091) Drift	<div style="display: flex; align-items: center;">  <div style="margin-left: 20px;"> <p>Installing rear oil seal Removing and installing press flange snap ring a: 72 mm (2.83 in) dia. b: 63 mm (2.48 in) dia.</p> </div> </div> <p style="text-align: center;">NT115</p>
ST27863000 (—) Support ring	<div style="display: flex; align-items: center;">  <div style="margin-left: 20px;"> <p>Removing and installing press flange snap ring a: 74.5 mm (2.933 in) dia. b: 62.5 mm (2.461 in) dia.</p> </div> </div> <p style="text-align: center;">NT661</p>
KV40104710 (—) Support ring	<div style="display: flex; align-items: center;">  <div style="margin-left: 20px;"> <p>Removing and installing press flange snap ring a: 76.3 mm (3.004 in) dia. b: 67.9 mm (2.673 in) dia.</p> </div> </div> <p style="text-align: center;">NT661</p>
ST35291000 (—) Remover	<div style="display: flex; align-items: center;">  <div style="margin-left: 20px;"> <p>Removing mainshaft rear bearing a: 40 mm (1.57 in) dia. b: 29.5 mm (1.161 in) dia. c: 22.5 mm (0.886 in) dia.</p> </div> </div> <p style="text-align: center;">NT662</p>

PREPARATION

Special Service Tools (Cont'd)

Tool number (Kent-Moore No.) Tool name	Description		GI
ST30090010 (—) Remover	 <p>NT663</p>	Removing mainshaft rear bearing a: 165 mm (6.50 in) b: 25 mm (0.98 in) dia. c: M16 x P2.0	MA EM LC
KV38100500 (—) Drift	 <p>NT115</p>	Installing front drive shaft oil seal a: 80 mm (3.15 in) dia. b: 60 mm (2.36 in) dia.	EC FE CL
KV40100621 (J25273) Drift	 <p>NT104</p>	Installing mainshaft rear bearing a: 76 mm (2.99 in) dia. b: 69 mm (2.72 in) dia.	MT AT
KV32101100 (—) Pin punch	 <p>NT410</p>	Removing and installing L-H fork, 2-4 fork a: 6 mm (0.24 in) dia.	TF PD AX
ST3306S001 (J22888-D) Differential side bearing puller set 1: ST33051001 (—) Puller 2: ST33061000 (J8107-2) Adapter	 <p>NT072</p>	Installing mainshaft rear bearing Removing sun gear assembly a: 28.5 mm (1.122 in) dia. b: 38 mm (1.50 in) dia.	SU BR ST
ST30911000 (—) Puller	 <p>NT664</p>	Installing mainshaft and planetary carrier assembly a: 98 mm (3.86 in) dia. b: 40.5 mm (1.594 in) dia.	RS BT HA

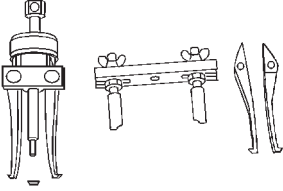
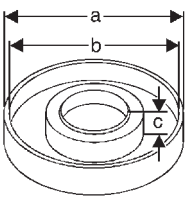
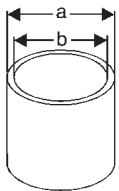
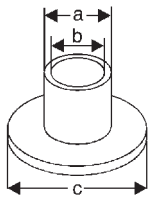
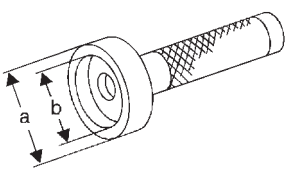
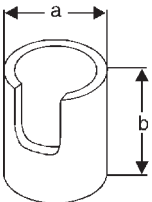
SC

EL

IDX

PREPARATION

Special Service Tools (Cont'd)

Tool number (Kent-Moore No.) Tool name	Description
KV381054S0 (—) Outer race puller	<div style="display: flex; justify-content: space-between;"> <div style="text-align: center;">  </div> <div style="text-align: right;"> <p>Removing rear oil seal</p> </div> </div> <p style="text-align: center;">NT665</p>
KV40105230 (—) Adapter	<div style="display: flex; justify-content: space-between;"> <div style="text-align: center;">  </div> <div style="text-align: right;"> <p>Installing planetary carrier assembly</p> <p>a: 92 mm (3.62 in) dia. b: 86 mm (3.39 in) dia. c: 12 mm (0.47 in)</p> </div> </div> <p style="text-align: center;">NT666</p>
KV40105310 (—) Support ring	<div style="display: flex; justify-content: space-between;"> <div style="text-align: center;">  </div> <div style="text-align: right;"> <p>Installing planetary carrier assembly</p> <p>a: 89.1 mm (3.508 in) dia. b: 80.7 mm (3.177 in) dia.</p> </div> </div> <p style="text-align: center;">NT661</p>
KV40105500 (—) Support	<div style="display: flex; justify-content: space-between;"> <div style="text-align: center;">  </div> <div style="text-align: right;"> <p>Installing planetary carrier assembly</p> <p>a: 69 mm (2.72 in) dia. b: 52 mm (2.05 in) dia. c: 120 mm (4.72 in) dia.</p> </div> </div> <p style="text-align: center;">NT667</p>
KV38100200 (—) Drift	<div style="display: flex; justify-content: space-between;"> <div style="text-align: center;">  </div> <div style="text-align: right;"> <p>Installing transfer cover oil seal</p> <p>a: 65 mm (2.56 in) dia. b: 49 mm (1.93 in) dia.</p> </div> </div> <p style="text-align: center;">NT673</p>
KV31103300 (—) Drift	<div style="display: flex; justify-content: space-between;"> <div style="text-align: center;">  </div> <div style="text-align: right;"> <p>Removing and installing press flange snap ring</p> <p>a: 76.3 mm (3.004 in) dia. b: 130 mm (5.12 in)</p> </div> </div> <p style="text-align: center;">NT668</p>

PREPARATION

Special Service Tools (Cont'd)

Tool number (Kent-Moore No.) Tool name	Description	
KV31103400 (—) Clutch piston attachment 1 Shaft-drift 2 Guide-cylinder		Installing clutch piston a: 88.5 mm (3.484 in) dia. b: 158 mm (6.22 in) dia.
	NT669	
(J35864) Drift		Installing oil seal
	NT671	

Commercial Service Tools

NATF0094

Tool name	Description	
Puller		Removing front drive shaft front bearing Removing front drive shaft rear bearing Removing main gear bearing
	NT077	
Drift		1 Installing mainshaft rear bearing 2 Installing L & H hub 1 a: 50 mm (1.97 in) dia. b: 42 mm (1.65 in) dia. c: 180 mm (7.09 in) 2 a: 60 mm (2.36 in) dia. b: 50 mm (1.97 in) dia. c: 60 mm (2.36 in)
	NT117	

NOISE, VIBRATION AND HARSHNESS (NVH) TROUBLESHOOTING

NATF0095

TX10A

NVH Troubleshooting Chart

NVH Troubleshooting Chart

NATF0095S01

Use the chart below to help you find the cause of the symptom. The numbers indicate the order of inspection. If necessary, repair or replace these parts.

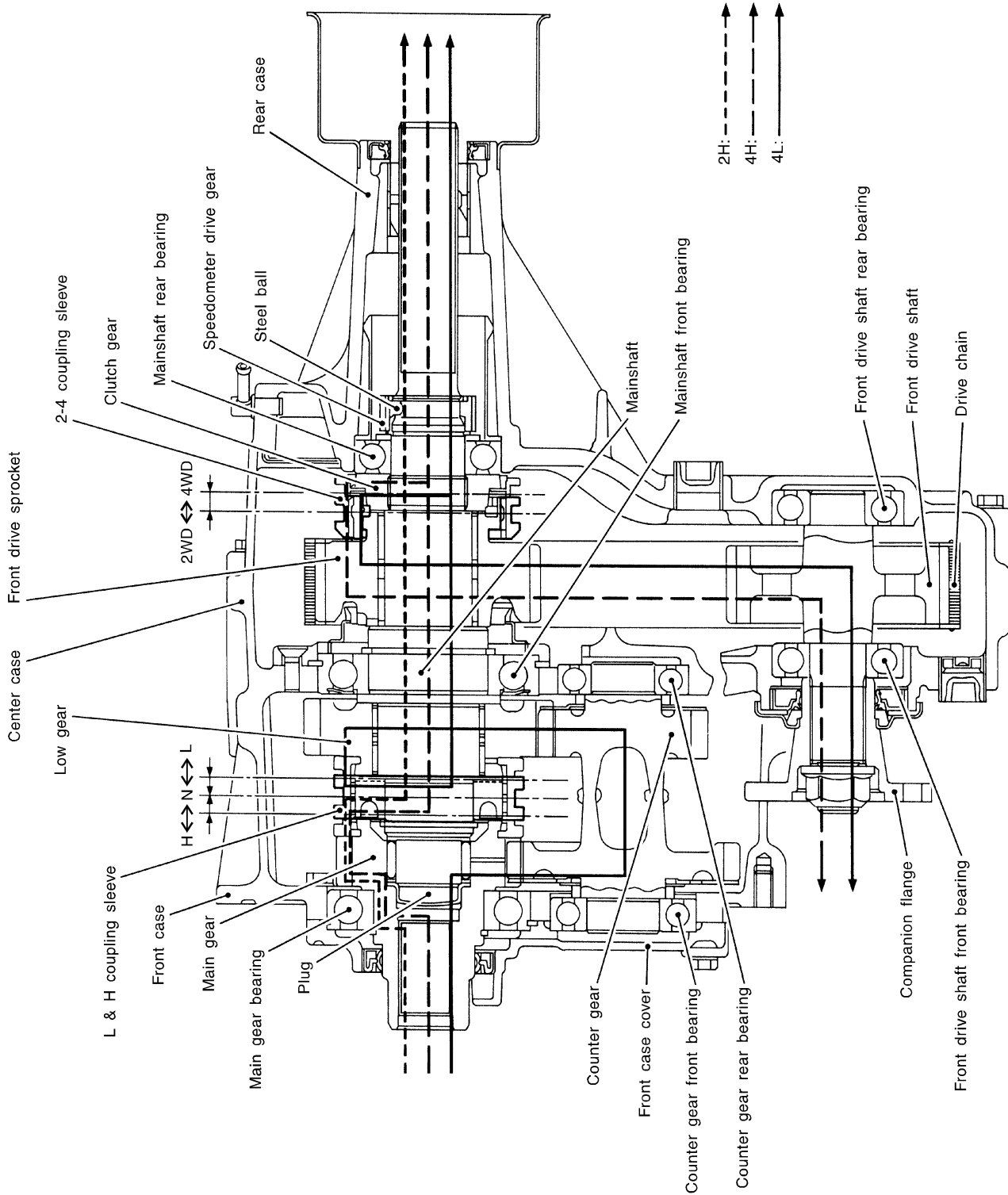
TRANSFER

NATF0095S0101

Reference page		Refer to MA-22, "Checking Transfer Fluid".			TF-17	TF-17	TF-17, 19	TF-19	TF-18	TF-18
SUSPECTED PARTS (Possible cause)		FLUID (Level low)	FLUID (Wrong)	FLUID (Level too high)	LIQUID GASKET (Damaged)	OIL SEAL (Worn or damaged)	CHECK SPRING AND CHECK BALL (Worn or damaged)	SHIFT FORK (Worn)	GEAR (Worn or damaged)	BEARING (Worn or damaged)
Symptom	Noise	1	2						3	3
	Fluid leakage		3	1	2	2				
	Hard to shift or will not shift		1	1						
	Jumps out of gear						1	2	2	

Cross-sectional View

NATF0096

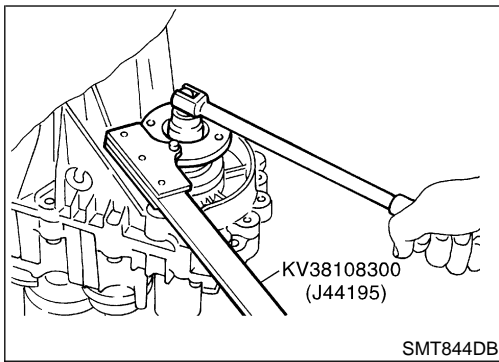


- GI
- MA
- EM
- LC
- EC
- FE
- CL
- MT
- AT
- TF**
- PD
- AX
- SU
- BR
- ST
- RS
- BT
- HA
- SC
- EL
- IDX

Replacing Oil Seal

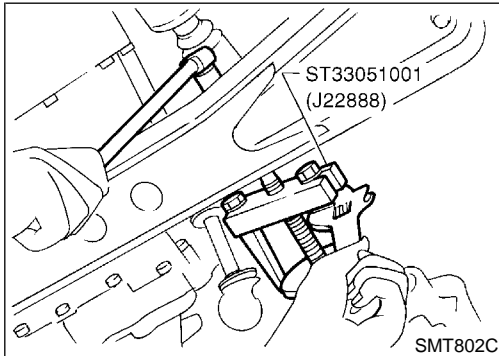
NATF0097

NATF0097S01

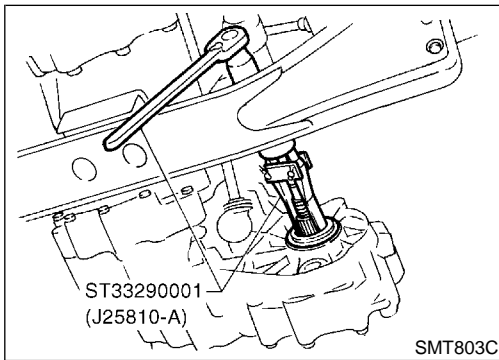


Replacing Oil Seal CENTER CASE OIL SEAL

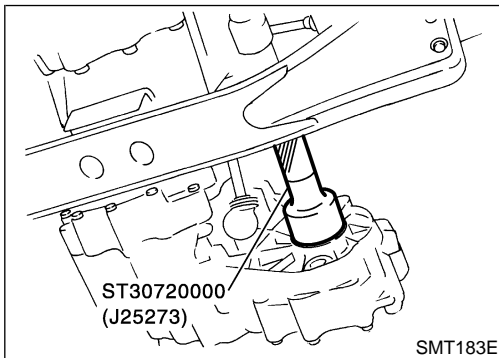
1. Remove exhaust front tube and heat insulator. Refer to "Removal", TF-15.
2. Remove front propeller shaft. Refer to PD-8, "Removal and Installation".
3. Remove companion flange nut.



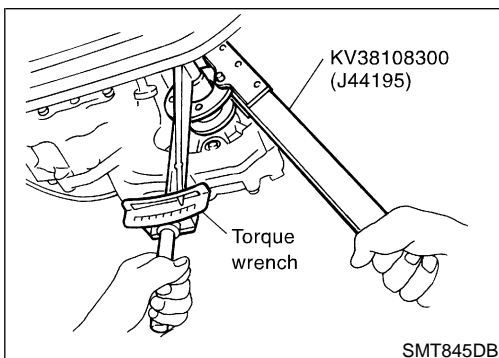
4. Remove companion flange.



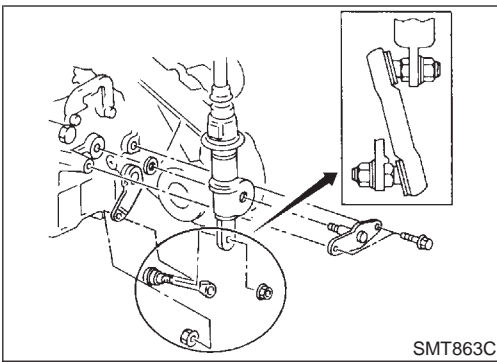
5. Remove center case oil seal.



6. Install center case oil seal.
 - **Before installing, apply multi-purpose grease to seal lip.**
7. Install companion flange.



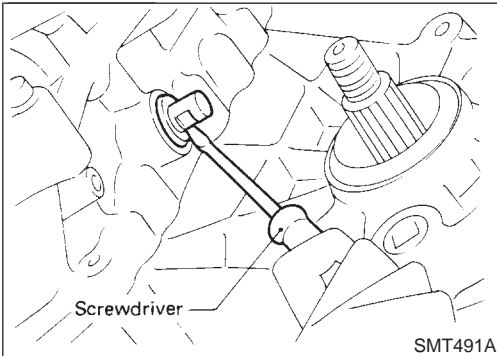
8. Tighten nut to the specified torque.
9. Install front propeller shaft.
10. Install exhaust front tube and heat insulator.



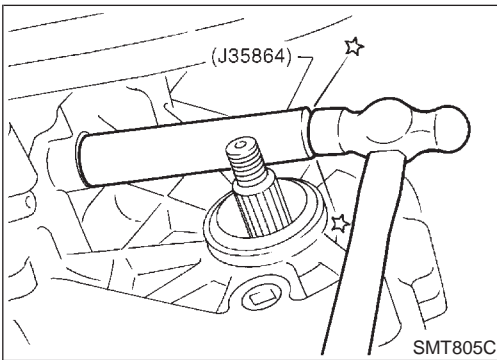
SHIFT SHAFT OIL SEAL

NATF0097S02

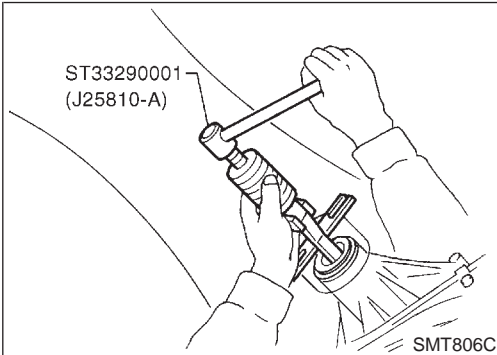
1. Remove front propeller shaft. Refer to PD-8, "Removal and Installation".
2. Remove companion flange. Refer to center case oil seal, TF-12.
3. Remove transfer control lever from transfer outer shift lever. Then remove outer shift lever.



4. Remove shift shaft oil seal.
 - **Be careful not to damage cross shaft.**



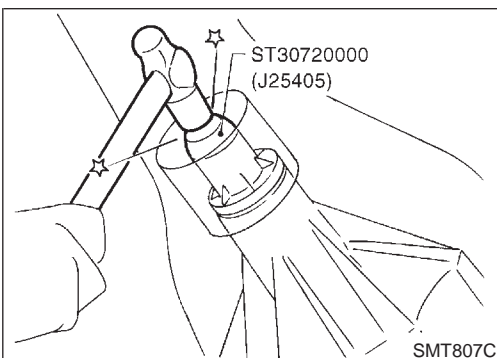
5. Install shift shaft oil seal.
 - **Before installing, apply multi-purpose grease to seal lip.**
6. Install outer shift lever. Then install transfer control lever to transfer outer shift lever.
7. Install companion flange. Refer to center case oil seal, TF-12.
8. Install front propeller shaft.



REAR OIL SEAL

NATF0097S03

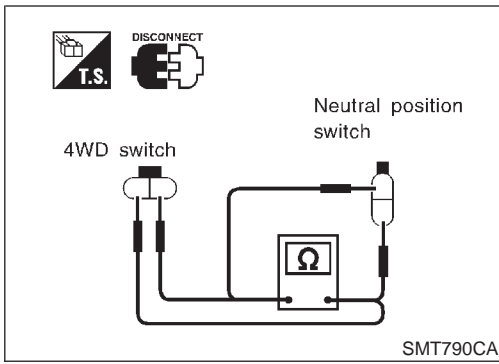
1. Remove rear propeller shaft. Refer to PD-8, "Removal and Installation".
2. Remove rear oil seal.



3. Install rear oil seal.
 - **Before installing apply multi-purpose grease to seal lip.**
4. Install rear propeller shaft.

GI
MA
EM
LC
EC
FE
CL
MT
AT
TF
PD
AX
SU
BR
ST
RS
BT
HA
SC
EL
IDX

Position Switch Check

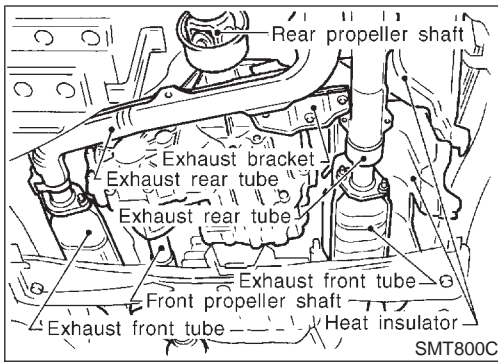


Position Switch Check

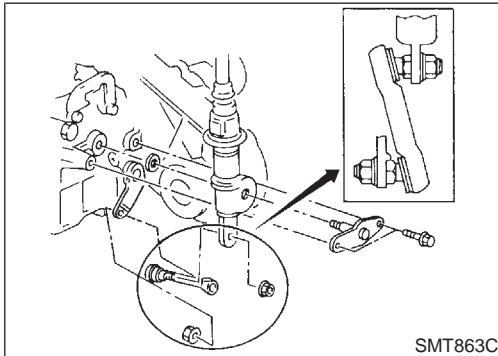
NATF0098

Switch	Gear position	Continuity
4WD switch	4WD	Yes
	Except 4WD	No
Neutral position switch	Neutral	No
	Except neutral	Yes

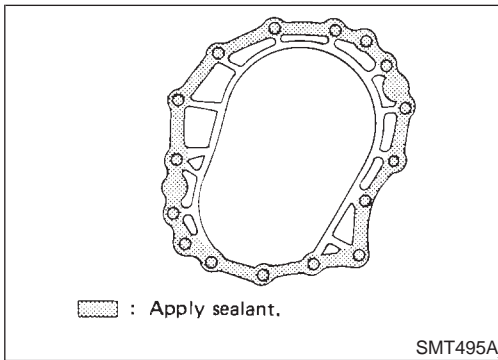
NATF0099



SMT800C

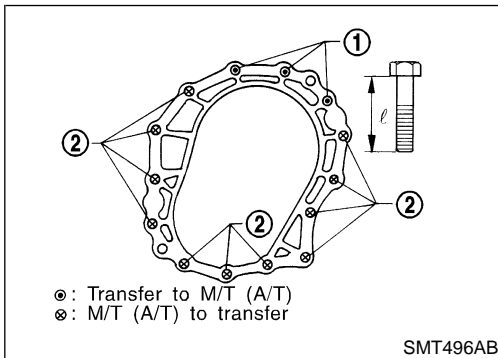


SMT863C



[Shaded Area] : Apply sealant.

SMT495A


 ○: Transfer to M/T (A/T)
 ⊗: M/T (A/T) to transfer

SMT496AB

Removal

1. Drain fluid from transfer and oil from transmission.
2. Remove exhaust front and rear tubes. Refer to FE-9, "Removal and Installation".
3. Remove front and rear propeller shaft. Refer to PD-8, "Removal and Installation".
4. Insert plug into rear oil seal after removing propeller shaft.
 - **Be careful not to damage spline, sleeve yoke and rear oil seal, when removing propeller shaft.**
5. Disconnect neutral position and 4WD switch harness connectors.
6. Remove transfer control lever from transfer outer shift lever.
7. Remove transfer from transmission.

WARNING:

Support transfer while removing it.

Installation

NATF0100

- Apply recommended sealant to mating surface to transmission. (M/T model only)

Recommended sealant:

Genuine Anaerobic Liquid Gasket or equivalent

Refer to TF-17.

- Tighten bolts securing transfer.

M/T MODEL

NATF0100S01

Bolt No.	Tightening torque N·m (kg·m, ft·lb)	ℓ mm (in)
1	32 - 42 (3.2 - 4.3, 24 - 31)	60 (2.36)
2	32 - 42 (3.2 - 4.3, 24 - 31)	45 (1.77)

A/T MODEL

NATF0100S02

Bolt No.	Tightening torque N·m (kg·m, ft·lb)	ℓ mm (in)
1	32 - 42 (3.2 - 4.3, 24 - 31)	45 (1.77)
2	32 - 42 (3.2 - 4.3, 24 - 31)	45 (1.77)

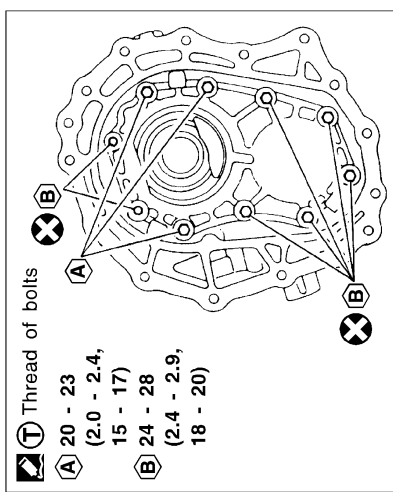
 GI
 MA
 EM
 LC
 EC
 FE
 CL
 MT
 AT
TF
 PD
 AX
 SU
 BR
 ST
 RS
 BT
 HA
 SC
 EL
 IDX

Case Components

NATF0102

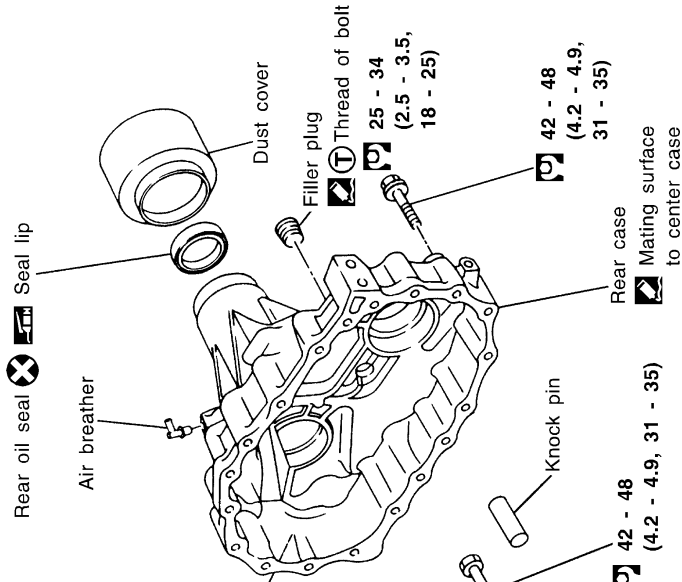
GI
MA
EM
LC
EC
FE
CL
MT
AT
TF
PD
AX
SU
BR
ST
RS
BT
HA
SC
EL
IDX

SEC. 331



4WD switch

Thread of switch 15 - 20 (1.5 - 2.0, 11 - 14)



Breather cover

3.8 - 5.0 (0.38 - 0.51, 33 - 44)

Oil gutter

Neutral position switch
Thread of switch 15 - 20 (1.5 - 2.0, 11 - 14)

Check ball

M/T model
-A/T model-

Front case Mating surface to transmission (M/T model only)

Front case cover Mating surface to front case

Cover oil seal Seal lip

N·m (kg-m, in-lb)
 N·m (kg-m, ft-lb)

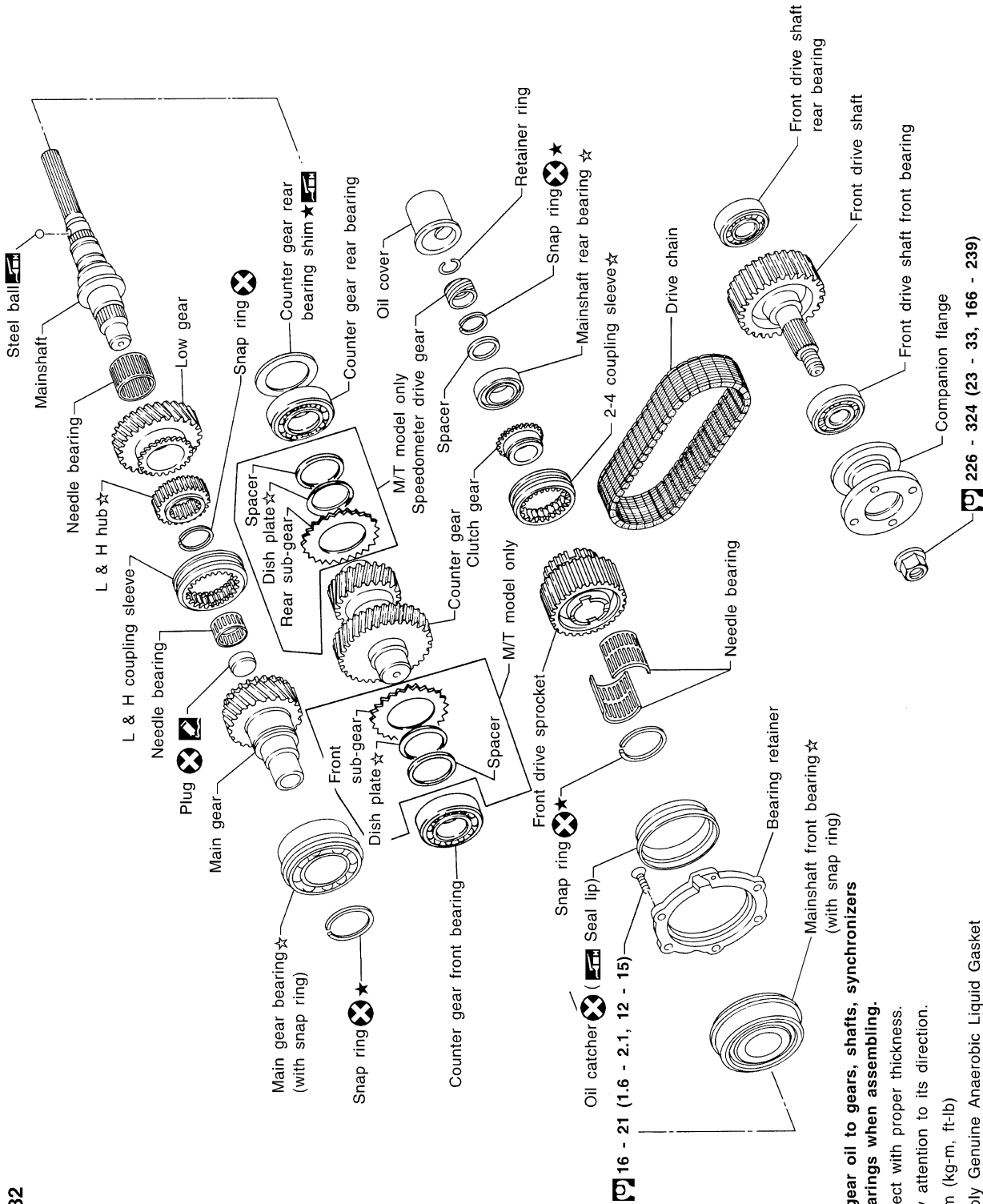
Apply Genuine Thread Sealant or equivalent. Refer to GI section.

Apply Genuine Anaerobic Liquid Gasket or equivalent. Refer to GI section.

Always replace after every disassembly.

Gear Components

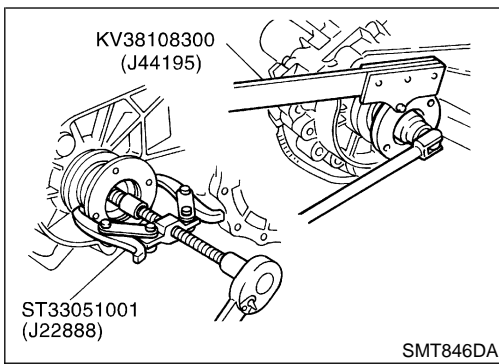
NATF0103



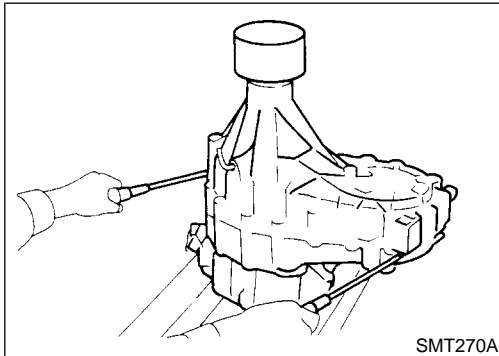
SEC. 332

Apply gear oil to gears, shafts, synchronizers and bearings when assembling.

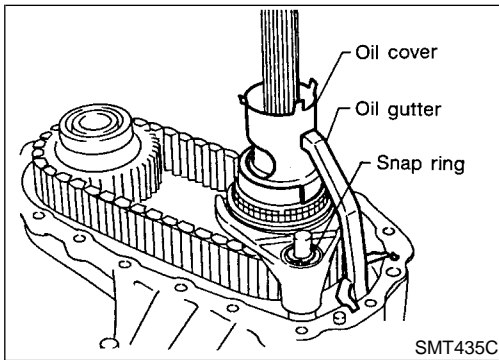
- ★ : Select with proper thickness.
- ☆ : Pay attention to its direction.
- ☐ : N·m (kg-m, ft-lb)
- ☑ : Apply Genuine Anaerobic Liquid Gasket or equivalent. Refer to GI section.
- ⊗ : Always replace after every disassembly.



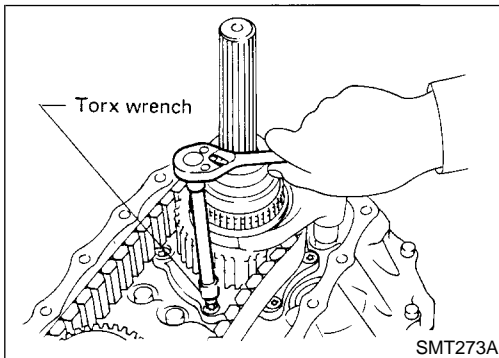
1. Remove nut of companion flange.
2. Remove companion flange.



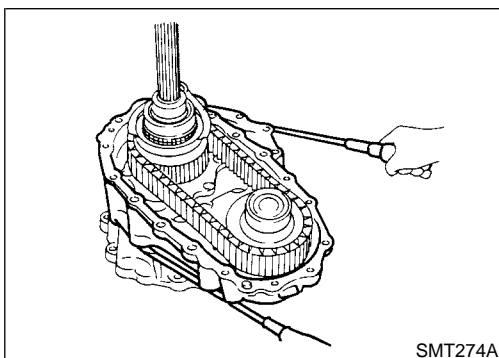
3. Remove 4WD switch.
4. Remove rear case.
 - **Be careful not to damage the mating surface.**



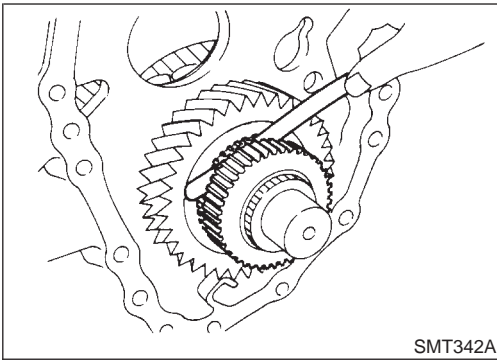
5. Remove oil cover and oil gutter.
6. Remove snap ring and retainer ring from 2-4 shift rod.



7. Remove bolts securing bearing retainer.
 - **This step is necessary to remove mainshaft from center case.**



8. Remove bolts securing center case to front case and then separate center case and front case.



9. Measure end play of low gear.

Standard:

0.2 - 0.35 mm (0.0079 - 0.0138 in)

- If end play is beyond the maximum value, check low gear and L & H hub for wear.

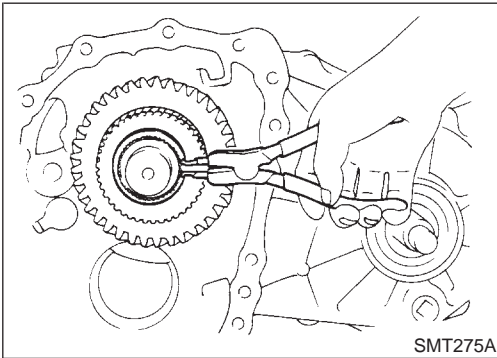
GI

MA

EM

LC

EC



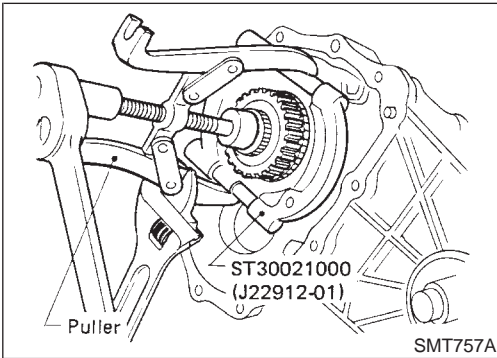
10. Disassemble center case assembly.

a. Remove snap ring from mainshaft.

FE

CL

MT



b. Pull out low gear with L & H hub.

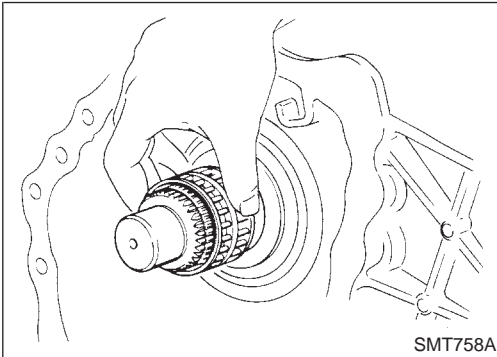
AT

TF

PD

AX

SU



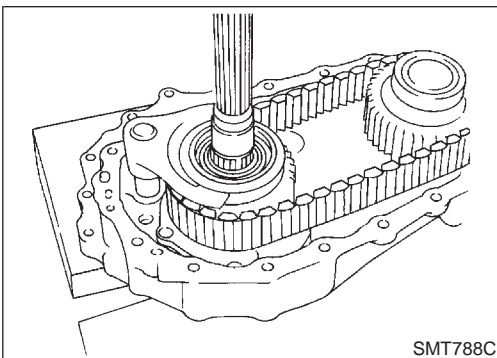
c. Remove needle bearing of low gear.

BR

ST

RS

BT



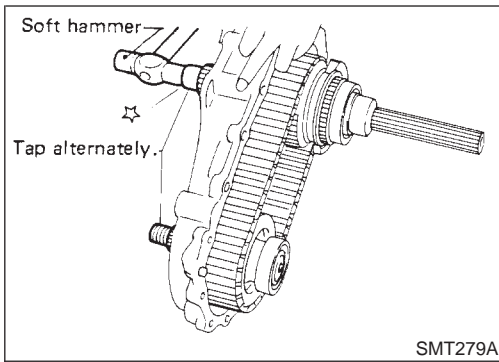
d. Make sure of the direction of the drive chain before removing it. (It must be reinstalled in the same direction.)

HA

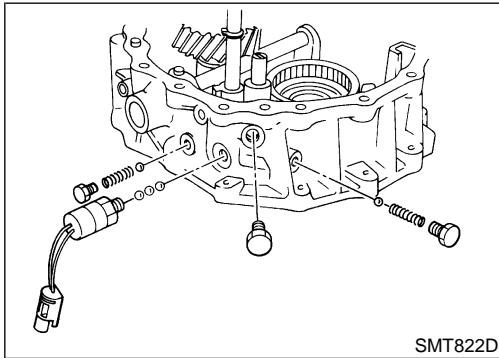
SC

EL

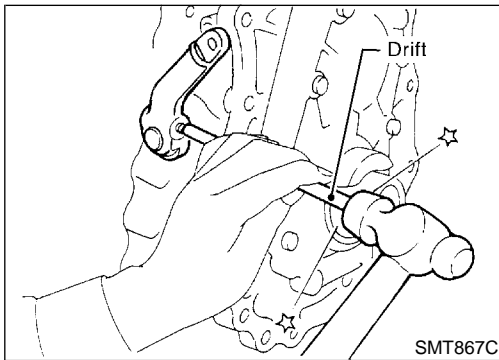
IDX



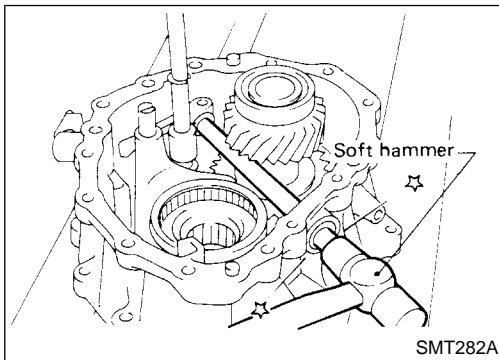
- e. Remove mainshaft, front drive and drive chain as a set by tapping front end of mainshaft and front drive shaft alternately.
- **Be careful not to bend drive chain.**



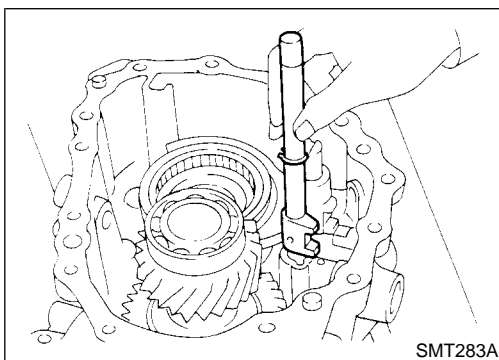
- 11. Disassemble front case assembly.
- a. Remove neutral position switch, plugs, check springs and check balls.



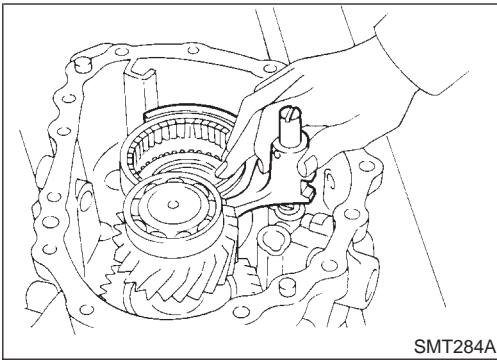
- b. Remove outer shift lever.



- c. Remove lock pin of inner shift lever and drive out cross shaft with plug.

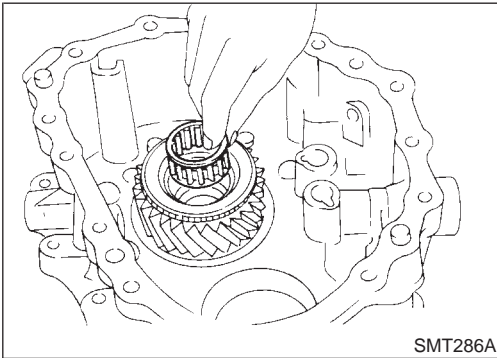


- d. Remove 2-4 shift rod.



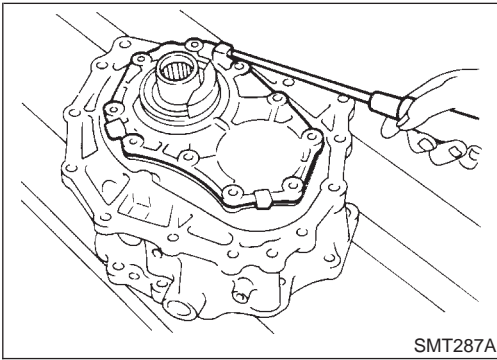
e. Remove L & H shift rod and fork assembly with coupling sleeve.

GI
MA
EM
LC



f. Remove needle bearing from main gear.

EC
FE
CL
MT

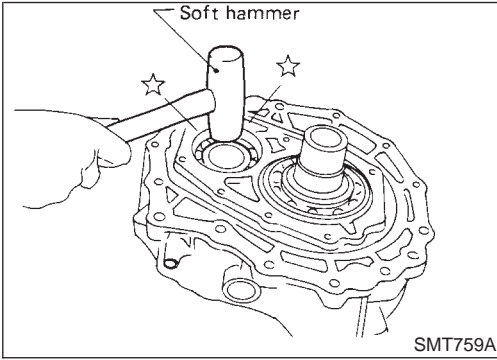


g. Remove bolts securing front case cover and then remove case.

AT

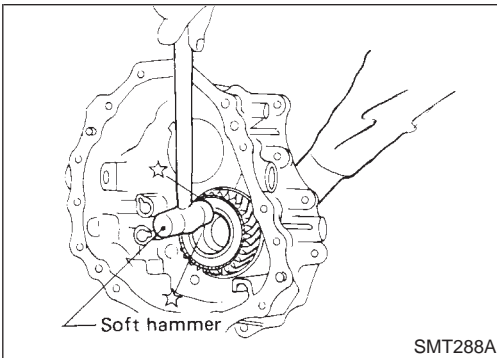
TF

PD
AX
SU



h. Remove counter gear by tapping lightly.

BR
ST
RS

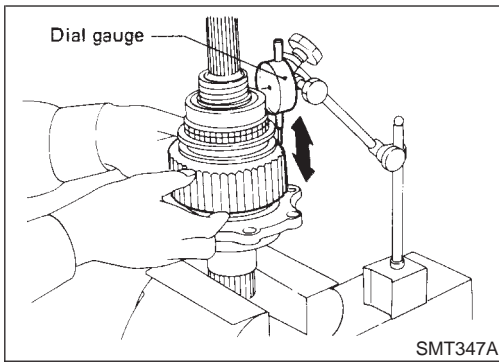


i. Remove main gear by tapping lightly.

BT
HA
SC

EL
IDX

Mainshaft



Mainshaft DISASSEMBLY

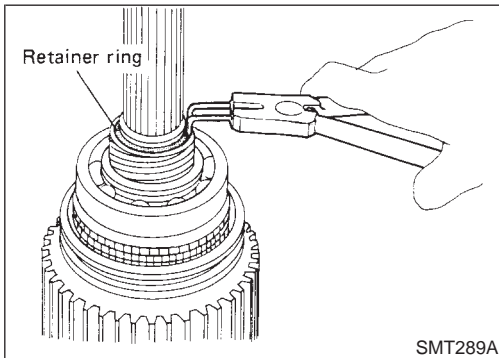
NATF0106

1. Check end play of front drive sprocket.

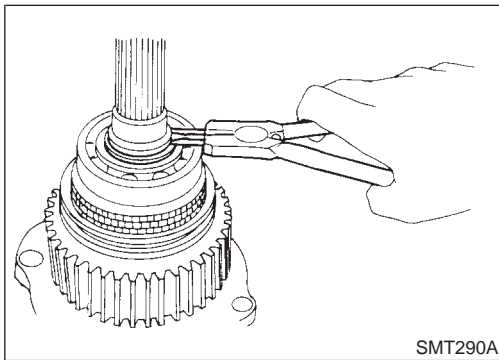
Standard:

0.2 - 0.35 mm (0.0079 - 0.0138 in)

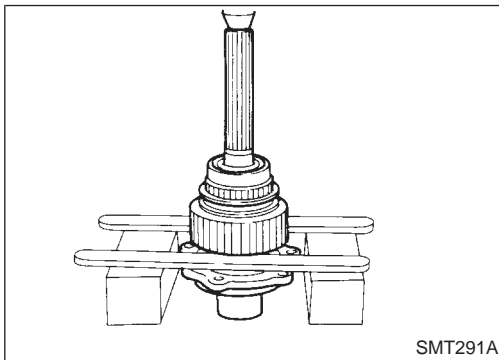
- If end play is beyond the maximum value, check front drive sprocket and clutch gear for wear.



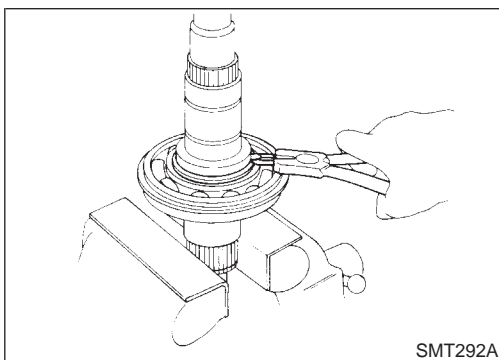
2. Remove retainer ring, speedometer drive gear and steel ball.
 - **Be careful not to lose the steel ball.**



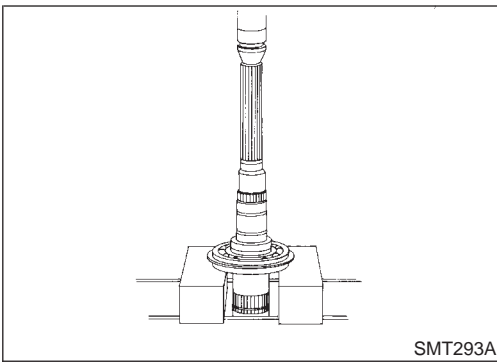
3. Remove snap ring and spacer.



4. Press out front drive sprocket with mainshaft rear bearing and clutch gear together.
5. Remove needle bearing.



6. Remove bearing retainer and then remove snap ring.



7. Press out mainshaft front bearing from mainshaft.

GI

MA

EM

LC

EC

NATF0107

NATF0107S01

FE

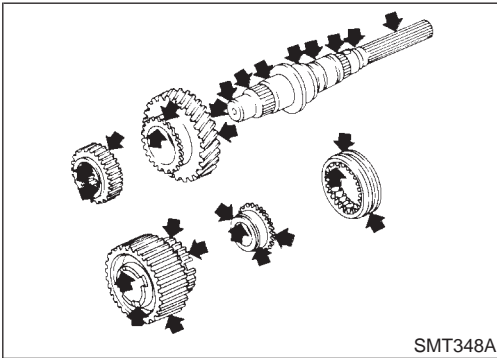
CL

MT

AT

NATF0107S02

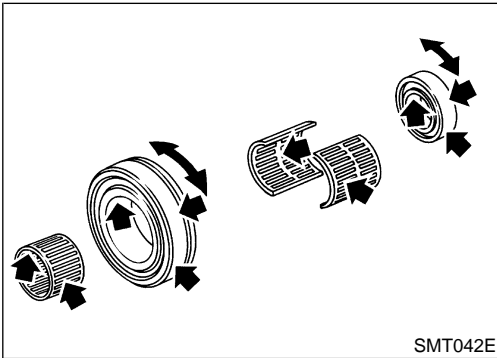
TF



INSPECTION

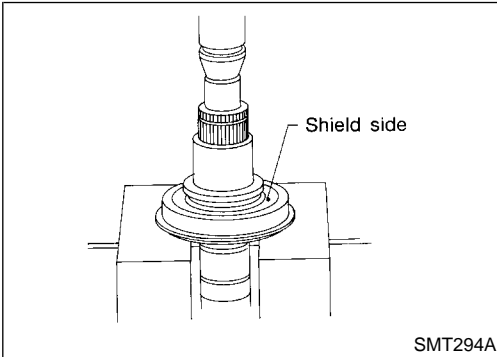
Gear and Shaft

- Check gears for excessive wear, chips or cracks.
- Check shaft for cracks, wear or bending.
- Check coupling sleeve for wear or damage.



Bearing

- Make sure bearings roll freely and are free from noise, crack, pitting or wear.



ASSEMBLY

1. Press mainshaft front bearing onto mainshaft.
 - Pay special attention to its direction.

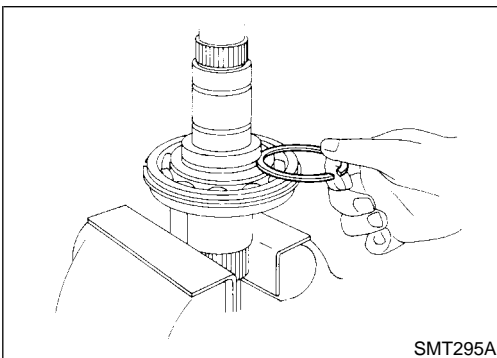
NATF0108

BR

ST

RS

BT



2. Select snap ring with proper thickness and install it.

**Allowable clearance between snap ring and groove:
0 - 0.15 mm (0 - 0.0059 in)**

**Available snap ring for mainshaft front bearing:
Refer to SDS, TF-39.**

HA

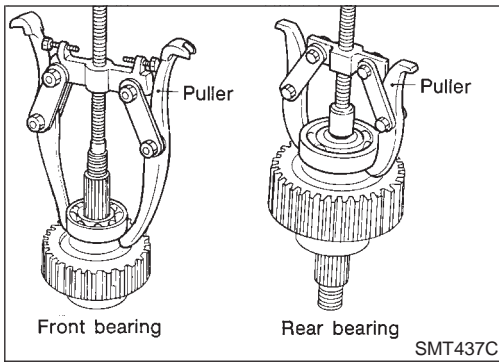
SC

3. Regarding to further procedures, refer to "ASSEMBLY", TF-32.

EL

IDX

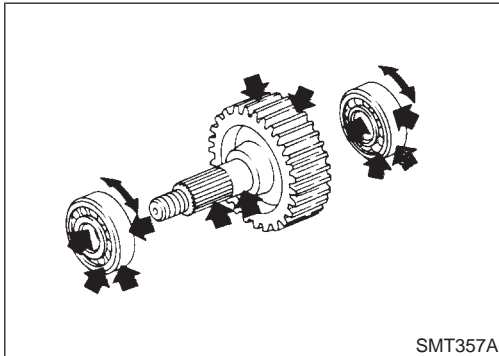
Front Drive Shaft



**Front Drive Shaft
DISASSEMBLY**

- Front drive shaft front bearing and rear bearing

NATF0109



**INSPECTION
Sprocket and Shaft**

- Check sprocket for excessive wear, chips or cracks.
- Check shaft for cracks or wear.

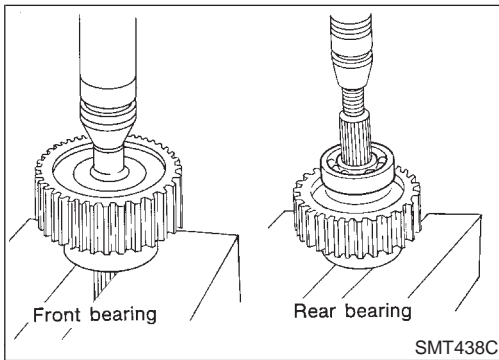
NATF0110

NATF0110S01

Bearing

- Make sure bearings roll freely and are free from noise, crack, pitting or wear.

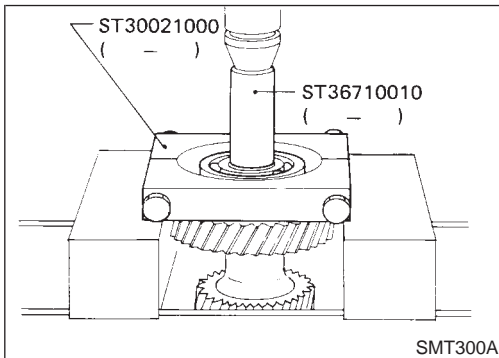
NATF0110S02



ASSEMBLY

- Press front drive shaft front bearing and rear bearing.

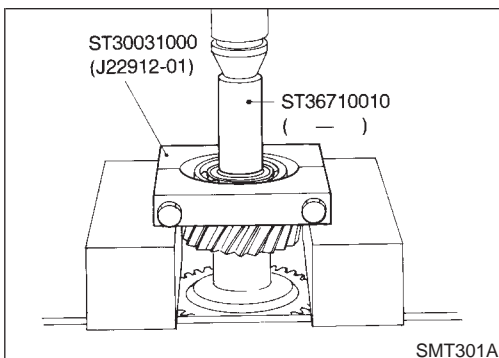
NATF0111



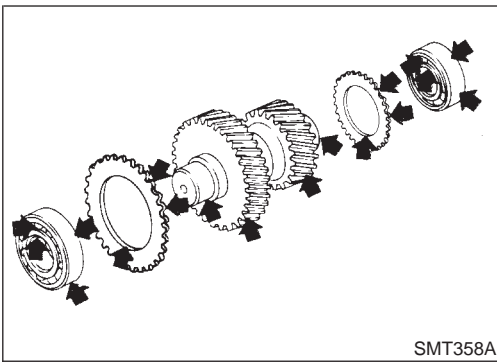
**Counter Gear
DISASSEMBLY**

1. Press out counter gear front bearing.

NATF0112



2. Press out counter gear rear bearing.
 - Remove rear sub-gear, spacer and dish plate (M/T model only).



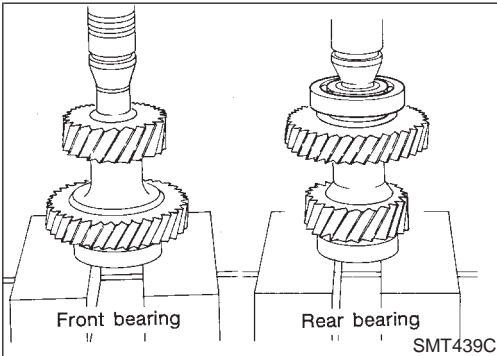
INSPECTION

Gear and Shaft

- Check gears for excessive wear, chips or cracks.
- Check shaft for cracks or wear.

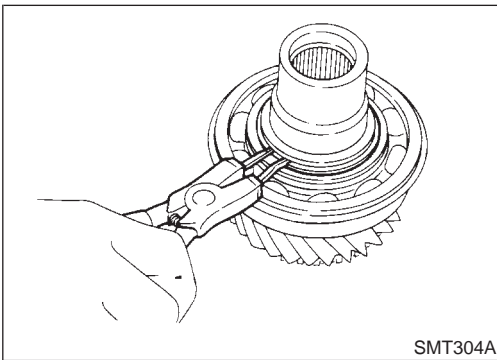
Bearing

- Make sure bearings roll freely and are free from noise, crack, pitting or wear.



ASSEMBLY

1. Press on counter gear front bearing.
 2. Install rear sub-gear, dish plate and spacer.
- Press on counter gear rear bearing (M/T model only).

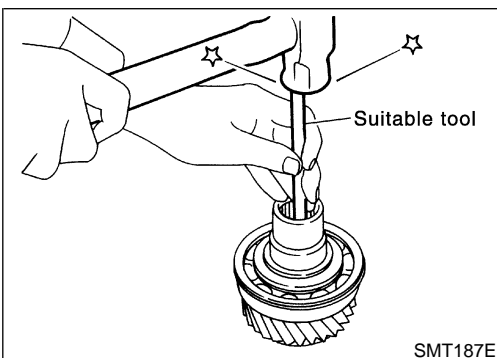
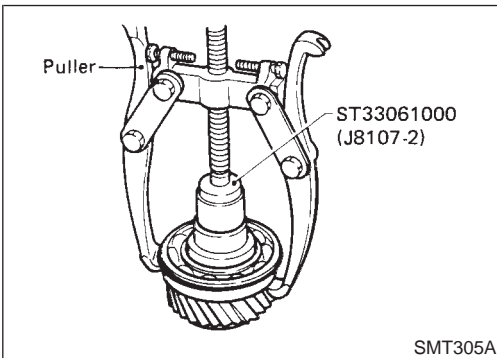


Main Gear

DISASSEMBLY

Main Gear Bearing

1. Remove snap ring.
2. Pull out main gear bearing.



Plug

- Always replace it with new one whenever it is removed.

GI

NATF0113

NATF0113S01

MA

EM

NATF0113S02

LC

EC

NATF0114

FE

CL

MT

AT

TF

NATF0115

NATF0115S01

PD

AX

SU

BR

ST

RS

BT

HA

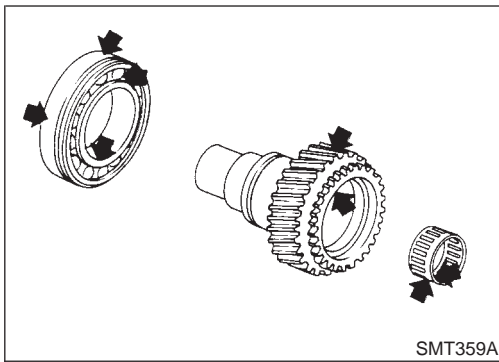
NATF0115S02

SC

EL

IDX

Main Gear (Cont'd)



INSPECTION

Gear and Shaft

NATF0116

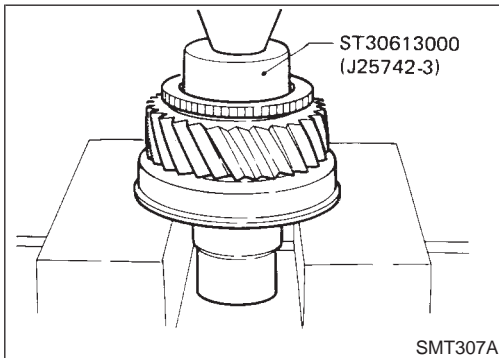
NATF0116S01

- Check gears for excessive wear, chips or cracks.
- Check shaft for cracks or wear.

Bearing

NATF0116S02

- Make sure bearings roll freely and are free from noise, crack, pitting or wear.



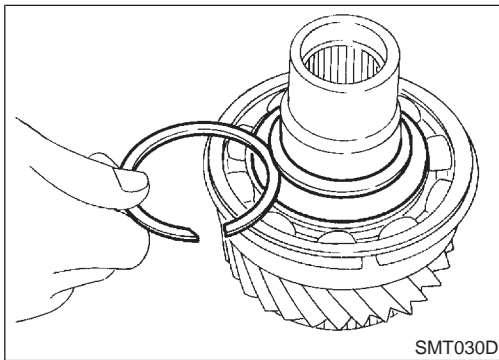
ASSEMBLY

Main Gear Bearing

NATF0117

NATF0117S01

1. Press on main gear bearing.



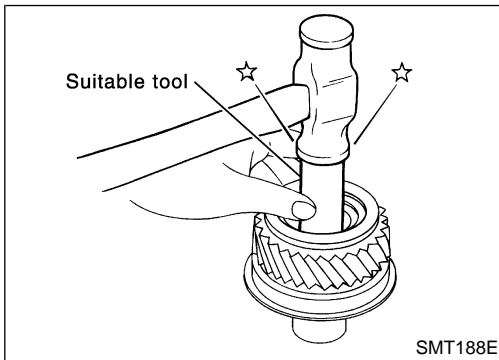
2. Select snap ring with proper thickness and install it.

Allowable clearance between snap ring and groove:

0 - 0.15 mm (0 - 0.0059 in)

Available snap ring for main gear bearing:

Refer to SDS, TF-39.



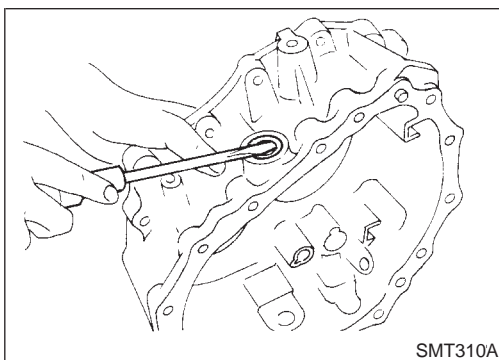
Plug

NATF0117S02

- Apply sealant to plug and install it.

Sealant:

Refer to Gear Components, TF-18.



Front Case

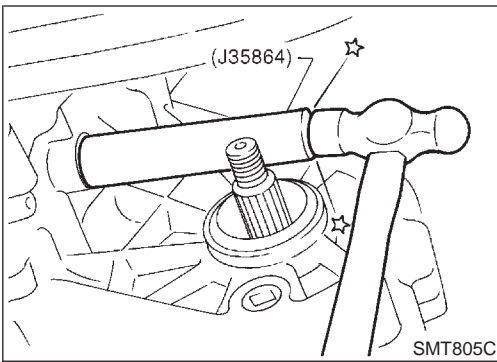
REMOVAL

NATF0118

Shift Shaft Oil Seal

NATF0118S01

- Use a screwdriver to pry out old seal.
- Be careful not to damage case.
- Always replace with a new one whenever it has been removed.



INSTALLATION

Shift Shaft Oil Seal

- Install new shift shaft oil seal until flush with case.
- Before installing, apply multi-purpose grease to seal lip.

NATF0119

NATF0119S01

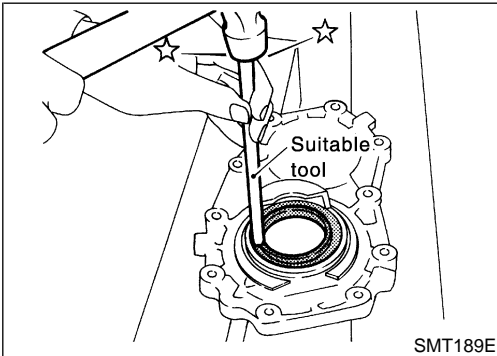
GI

MA

EM

LC

EC



Front Case Cover

REMOVAL

Cover Oil Seal

- Drive out old seal from inside of front case cover.
- Be careful not to damage front case cover.

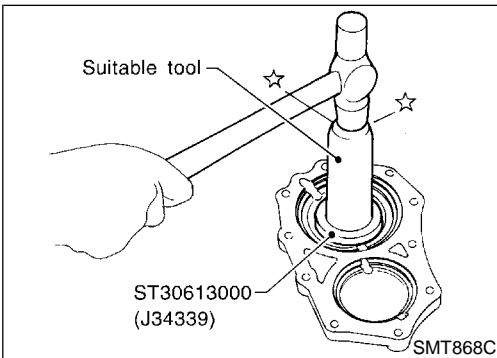
NATF0120

NATF0120S01

FE

CL

MT



INSTALLATION

Cover Oil Seal

- Install new front case cover oil seal until it stops.
- Before installing, apply multi-purpose grease to seal lip.

NATF0121

NATF0121S01

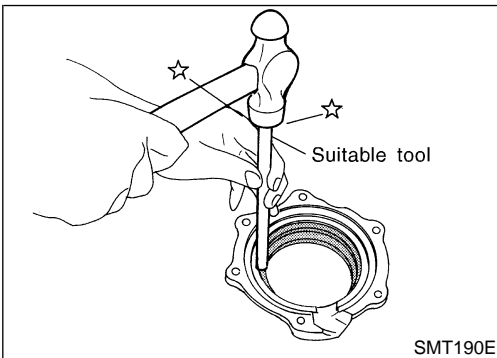
AT

TF

PD

AX

SU



Bearing Retainer

REMOVAL

Oil Catcher

- Drive out oil catcher from inside of bearing retainer.
- Be careful not to damage bearing retainer.

NATF0122

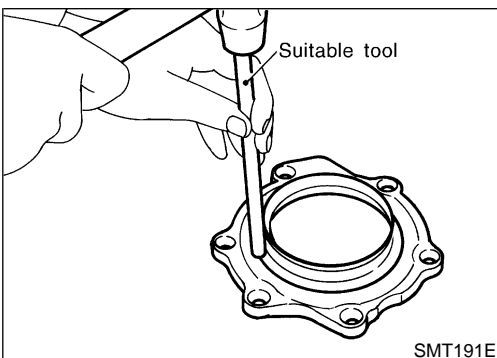
NATF0122S01

BR

ST

RS

BT



INSTALLATION

Oil Catcher

- Install oil catcher until it stops.
- Be careful not to damage or distort oil catcher or bearing retainer.
- Before installing, apply multi-purpose grease to seal lip.

NATF0123

NATF0123S01

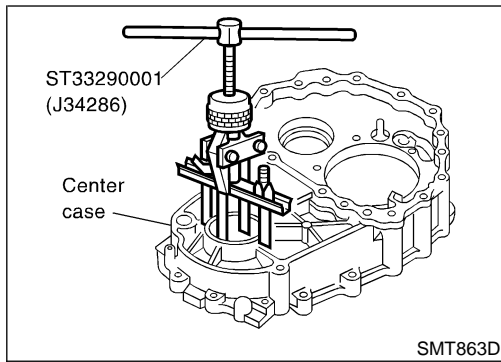
HA

SC

EL

IDX

Center Case



Center Case

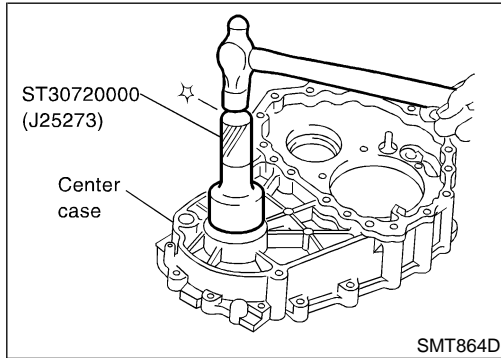
REMOVAL

Center Case Oil Seal

- Remove center case oil seal.

NATF0124

NATF0124S01



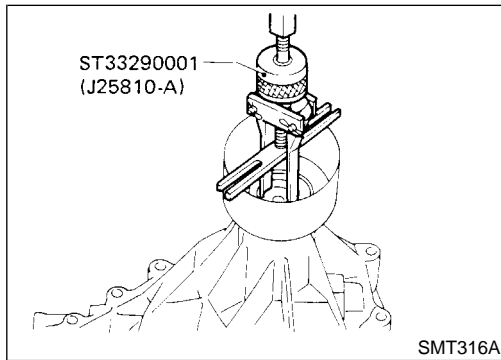
INSTALLATION

Center Case Oil Seal

- Install center case oil seal.

NATF0125

NATF0125S01



Rear Case

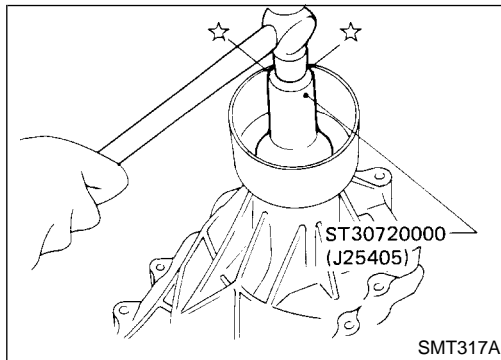
REMOVAL

Rear Oil Seal

- Pull out rear oil seal.

NATF0126

NATF0126S01



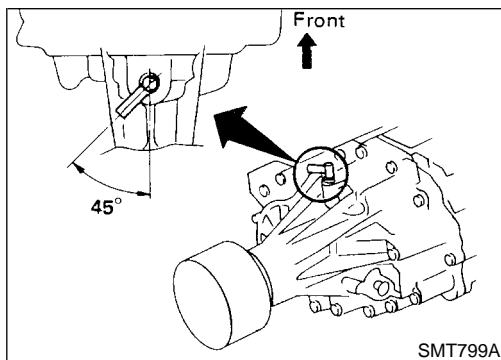
INSTALLATION

Rear Oil Seal

- Install new rear oil seal until it stops.
- Before installing, apply multi-purpose grease to seal lip.

NATF0127

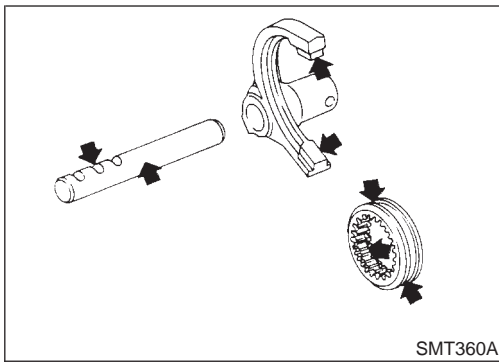
NATF0127S01



Air Breather

- Install as shown in illustration.

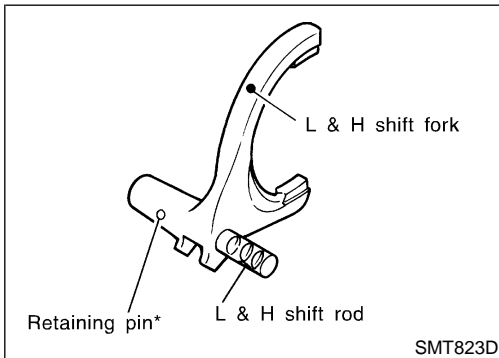
NATF0127S02



Shift Control Components

INSPECTION

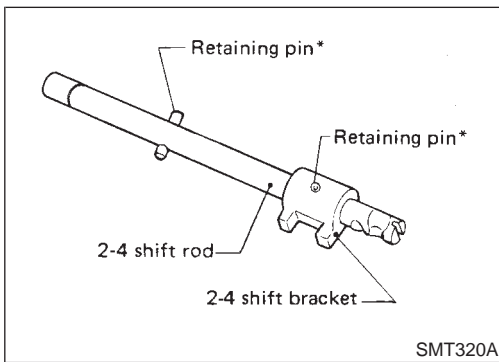
- Check contact surface and sliding surface for wear, scratches, projections or other faulty conditions. NATF0128



L & H Shift Rod & Fork

- Assemble as shown in illustration. NATF0128S01
- * Retaining pin is the same size as the one for 2-4 shift rod.

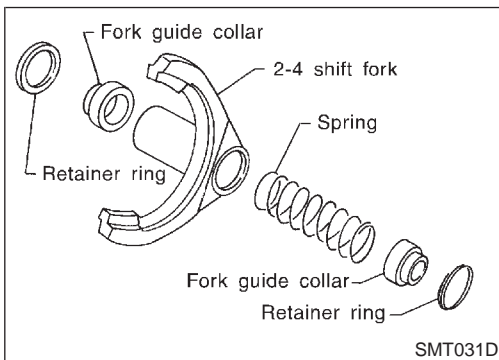
Tool number: KV32101100 (—)



2-4 Shift Rod & Fork

- Assemble as shown in illustration. NATF0128S02
- * Retaining pins are the same size.

Tool number: KV32101100 (—)



- Pay special attention to the direction of fork guide collar.

GI

MA

EM

LC

EC

FE

CL

MT

AT

TF

PD

AX

SU

BR

ST

RS

BT

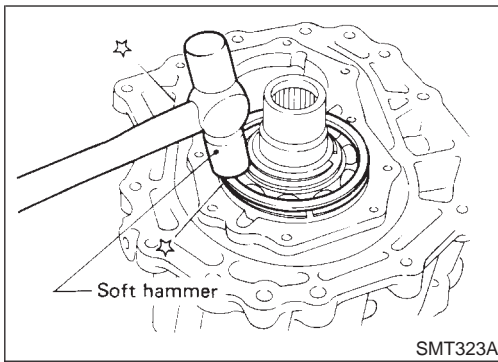
HA

SC

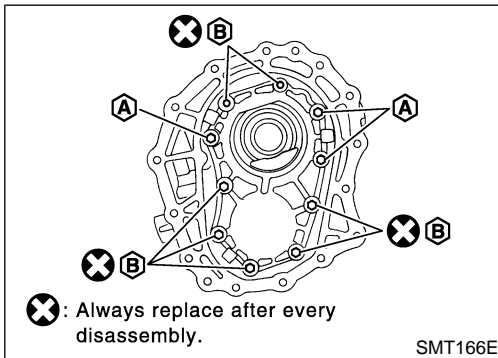
EL

IDX

ASSEMBLY



1. Assemble front case.
 - a. Install main gear assembly by tapping lightly.



- b. Apply sealant to the mating surface of front case cover and install it on front case.

- These ten bolts should be coated with sealant.

- Tightening torque

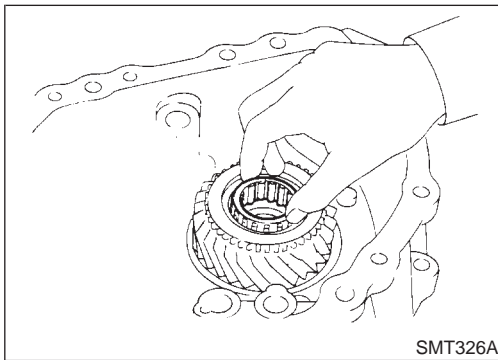
A: 20 - 23 N·m (2.0 - 2.4 kg·m, 15 - 17 ft·lb)

⊗ B: 24 - 28 N·m (2.4 - 2.9 kg·m, 18 - 20 ft·lb)

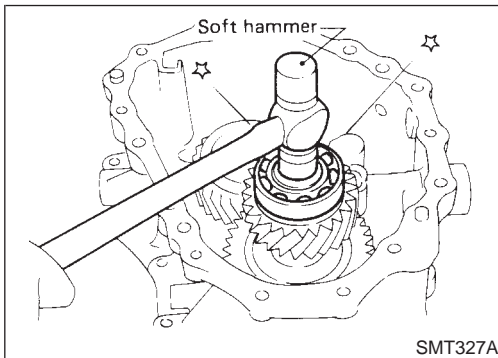
(Always replace after every disassembly.)

Sealant:

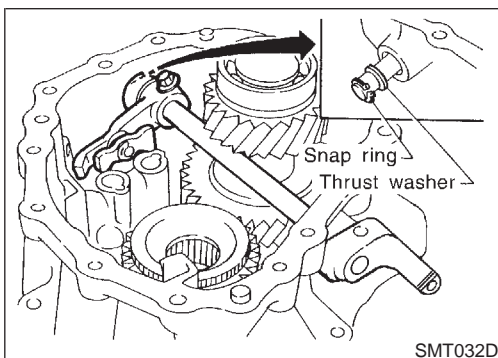
Refer to Case Components, TF-17.



- c. Apply gear oil to needle bearing and install it into main gear.

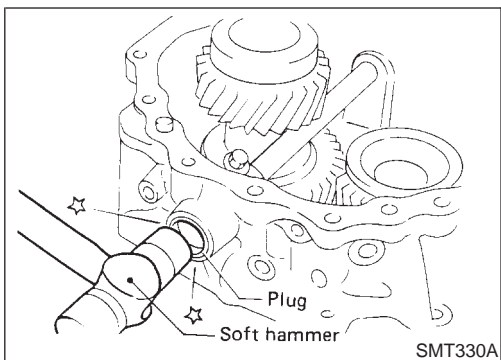


- d. Install counter gear assembly by tapping lightly.



- e. Install cross shaft and inner shift lever.

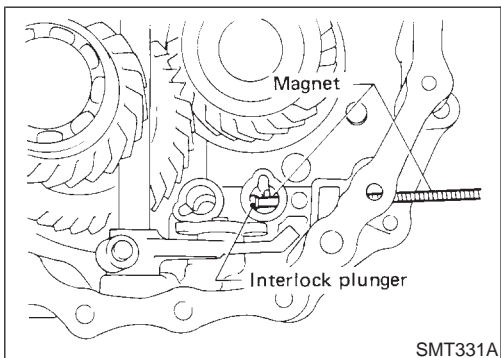
- When replacing cross shaft, outer shift lever or lock pin of outer shift lever, replace them as a set.



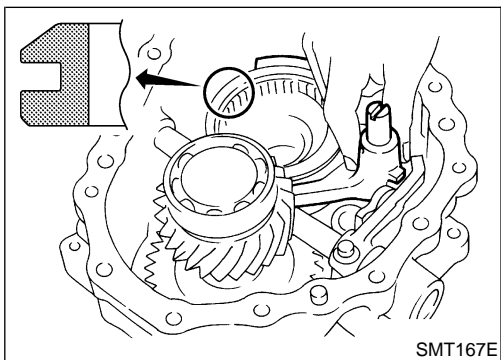
f. Apply sealant to plug and install it into front case.

Sealant:

Refer to Case Components, TF-17.



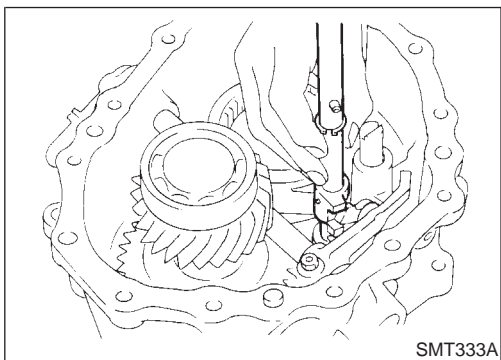
g. Insert interlock plunger into front case.



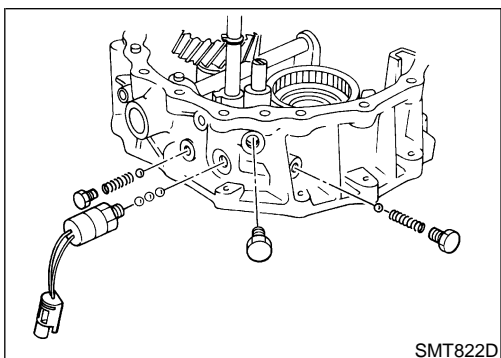
h. Install L & H shift rod and fork assembly with coupling sleeve.

CAUTION:

L & H coupling sleeve have directional property. (A/T vehicle only)



i. Install 2-4 shift rod.



j. Install neutral position switch, check balls, check springs and plugs.

● **Apply sealant to switches and plugs.**

Sealant:

Refer to Case Components, TF-17.

GI

MA

EM

LC

EC

FE

CL

MT

AT

TF

PD

AX

SU

BR

ST

RS

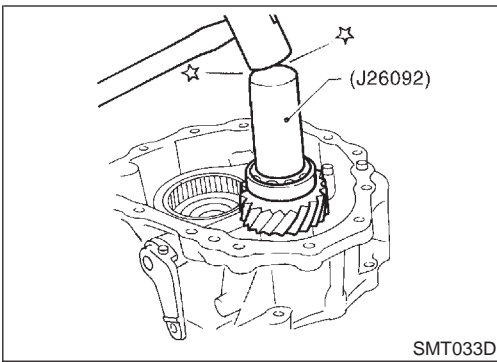
BT

HA

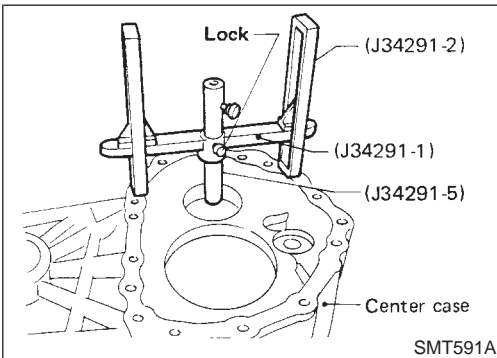
SC

EL

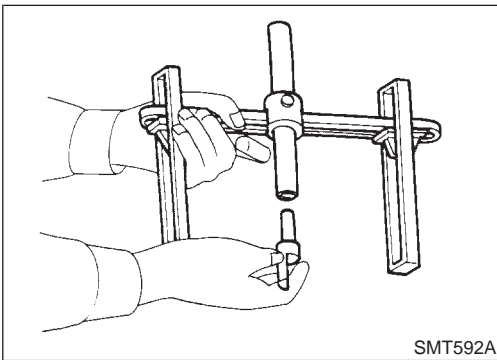
IDX



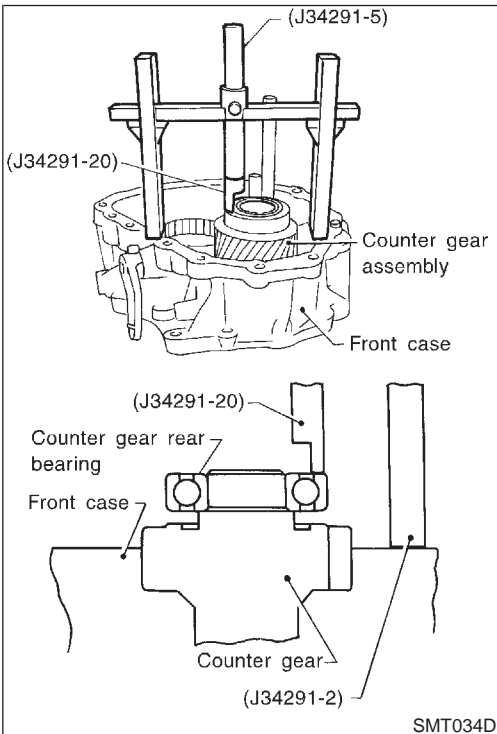
2. Select counter gear rear bearing shim.
 - a. Seat counter gear assembly.



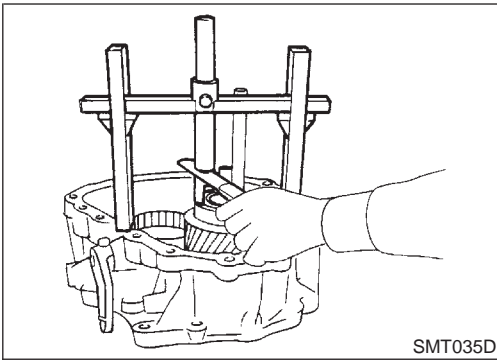
- b. Place J34291-1 (bridge), J34291-2 (legs) and J34291-5 (gauging cylinder) on machined surface of center case and allow gauging cylinder to rest on top outer portion of counter gear rear bearing. Lock gauging cylinder in place.



- c. Insert J34291-20 (gauging plunger) into J34291-5 (gauging cylinder).



- d. Place bridge, legs, gauging cylinder and gauging plunger onto machined surface of front case assembly, and allow gauging plunger to drop until it contacts counter gear rear bearing mating surface.

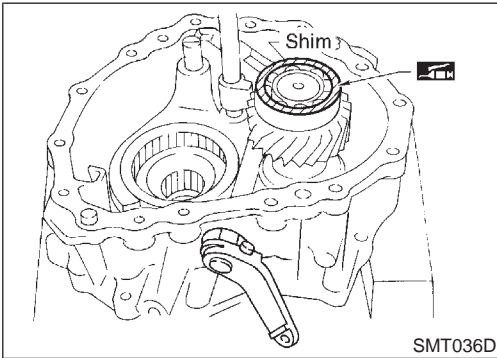


- e. Lock gauging plunger in place and use feeler gauge to measure gap between gauging cylinder and gauging plunger.
- f. Use measured distance and following chart to select correct shim.

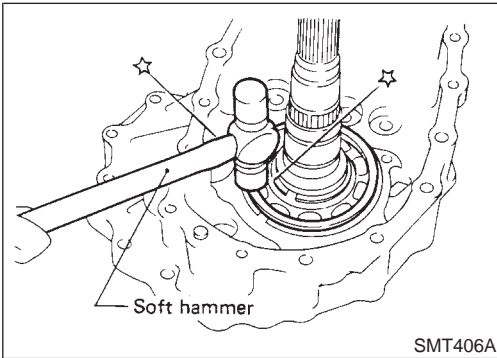
**Counter gear end play:
0 - 0.2 mm (0 - 0.008 in)**

**Counter gear rear bearing shim:
Refer to SDS, TF-40.**

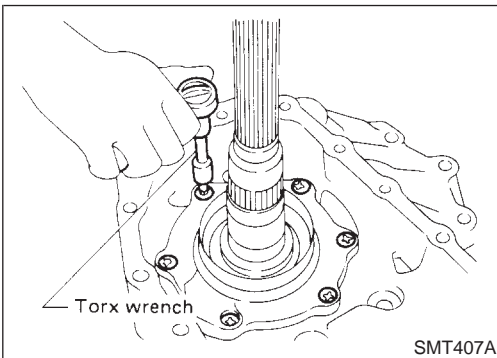
- g. Select counter gear rear bearing shim.



- 3. Place suitable shim on counter gear rear bearing with grease.
- 4. Apply ATF to each part in front case.

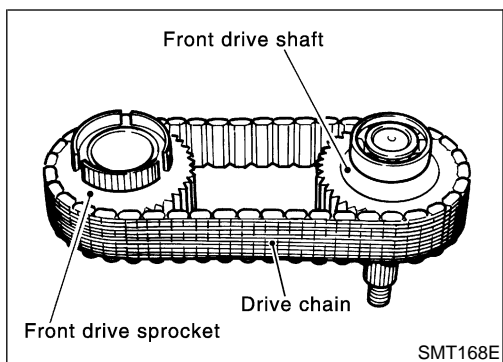


- 5. Assemble center case assembly.
 - a. Install mainshaft on center case by tapping lightly.
 - **Apply ATF to mainshaft front bearing.**

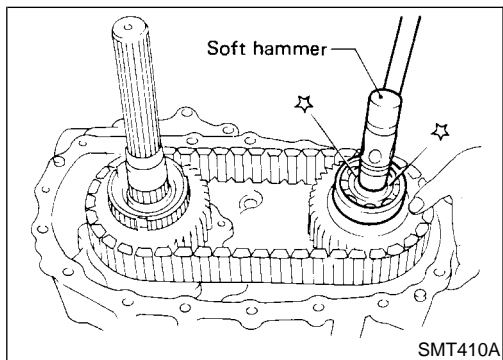
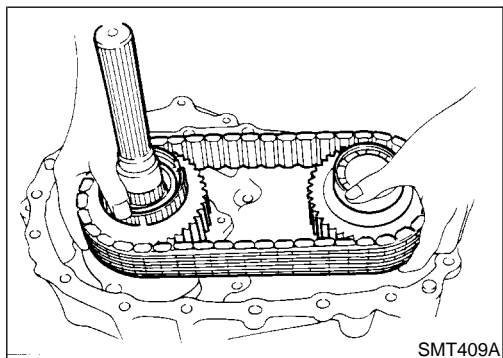


- b. Install bearing retainer.

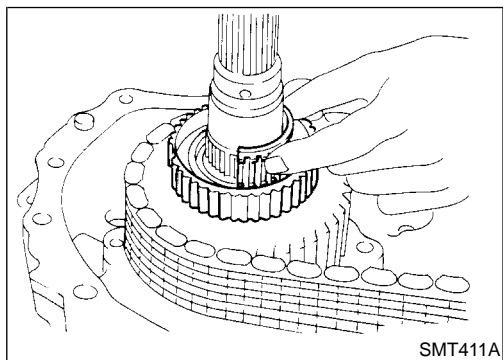
GI
MA
EM
LC
EC
FE
CL
MT
AT
TF
PD
AX
SU
BR
ST
RS
BT
HA
SC
EL
IDX



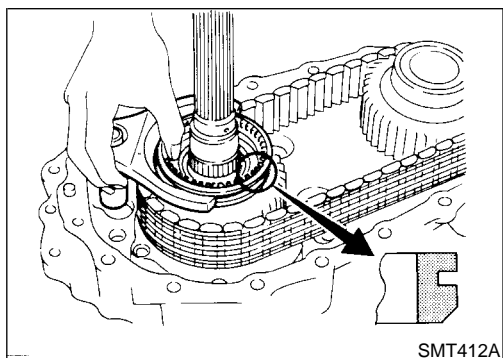
- c. Put drive chain onto the front drive sprocket and front drive shaft, and then put them in center case.



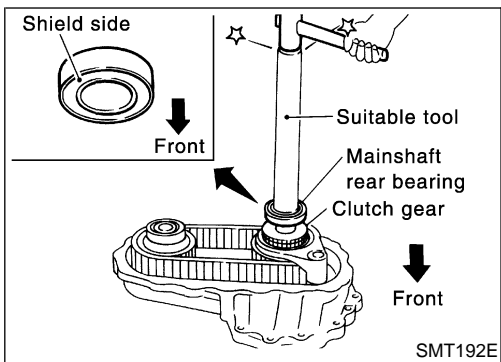
- d. Install front drive shaft by tapping lightly.
- **Make sure shafts are lined up in the case.**



- e. Apply ATF to needle bearings and install them into front drive sprocket.
- **These needle bearings can be installed more easily if front drive sprocket is rotated while installing them.**

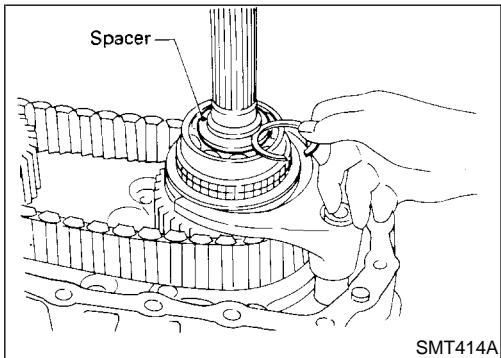


- f. Install 2-4 coupling sleeve with 2-4 shift fork.
- **Pay special attention to direction of coupling sleeve.**



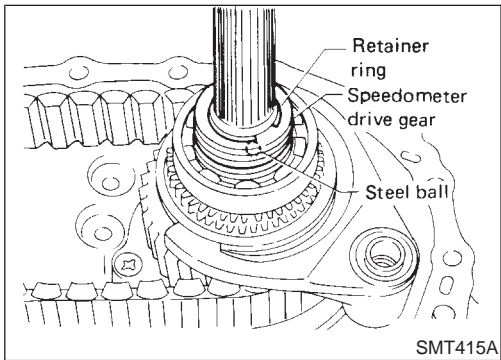
- g. Install clutch gear and mainshaft rear bearing.
- **Place wooden block under mainshaft in order to protect mainshaft front bearing.**

GI
MA
EM
LC



- h. Install spacer.
- i. Select snap ring with proper thickness and install it.
- Allowable clearance between snap ring and groove:
0 - 0.15 mm (0 - 0.0059 in)**
- Available snap ring for mainshaft rear bearing:
Refer to SDS, TF-39.**

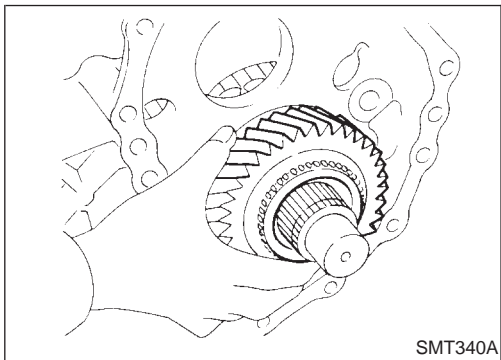
EC
FE
CL



- j. Install steel ball, speedometer drive gear and retainer ring.
- **Steel ball is the smallest of check balls for this unit.**

MT
AT

TF



- k. Install low gear and its bearing to mainshaft.
- **Apply ATF to needle bearing.**

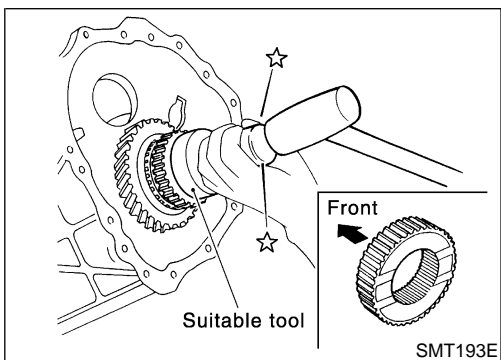
PD
AX
SU

BR

ST

RS

BT



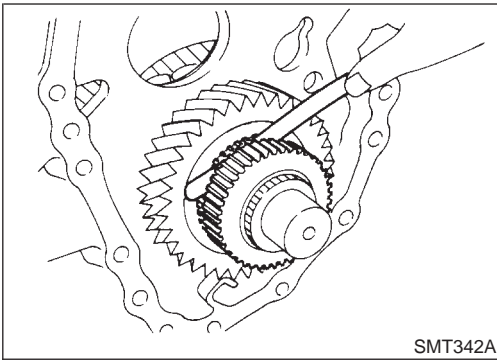
- l. Install L & H hub and snap ring to mainshaft.
- **Pay special attention to direction of L & H hub.**

HA

SC

EL

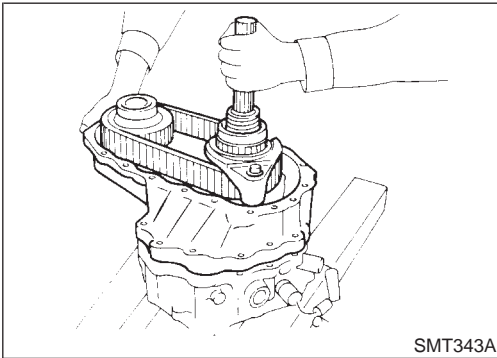
IDX



m. Measure end play of low gear.

Standard:

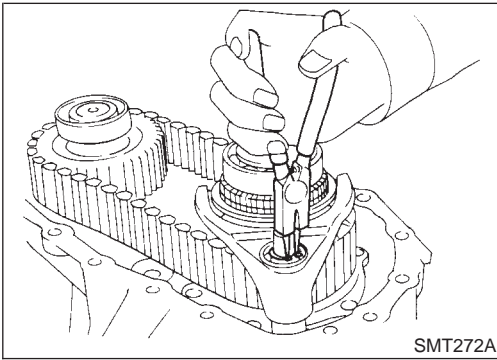
0.2 - 0.35 mm (0.0079 - 0.0138 in)



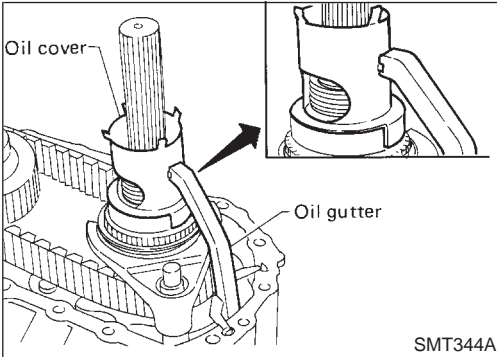
6. Apply sealant to mating surface and put center case assembly onto front case and tighten bolts.

Sealant:

Refer to Case Components, TF-17.

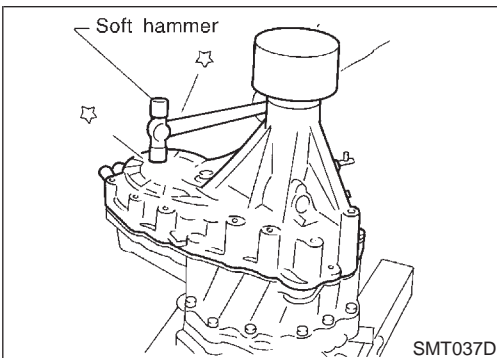


7. Install snap ring to 2-4 shift rod.



8. Install oil gutter and oil cover.

9. Apply ATF to each part in center case.



10. Apply sealant to mating surface and install rear case on center case.

11. Install 4WD switch.

● **Apply sealant to thread of switch.**

Sealant:

Refer to Case Components, TF-17.

General Specifications

NATF0130

Transfer model	TX10A		
Gear ratio	High	1.000	
	Low	2.020	
Number of teeth	Main gear	29	
	Low gear	37	
	Counter gear	High	38
		Low	24
	Front drive sprocket	41	
	Front drive shaft	41	
Fluid capacity ℓ (US qt, Imp qt)*	2.2 (2-3/8, 2)		

*: Refer to MA-12, "Fluids and Lubricants".

Gear End Play

NATF0131
Unit: mm (in)

Front drive sprocket	0.2 - 0.35 (0.0079 - 0.0138)
Low gear	0.2 - 0.35 (0.0079 - 0.0138)
Counter gear	0 - 0.2 (0 - 0.008)

Available Snap Ring

NATF0132

MAINSHAFT FRONT BEARING

NATF0132S01

Allowable clearance	0 - 0.15 mm (0 - 0.0059 in)	
Thickness mm (in)	Part number*	
3.10 (0.1220)	33138-73P10	
3.19 (0.1256)	33138-73P11	
3.28 (0.1291)	33138-73P12	

*: Always check with the Parts Department for the latest parts information.

MAINSHAFT REAR BEARING

NATF0132S02

Allowable clearance	0 - 0.15 mm (0 - 0.0059 in)	
Thickness mm (in)	Part number*	
1.80 (0.0709)	33138-73P20	
1.89 (0.0744)	33138-73P21	
1.98 (0.0780)	33138-73P22	
2.07 (0.0815)	33138-73P23	
2.16 (0.0850)	33138-73P24	

*: Always check with the Parts Department for the latest parts information.

MAIN GEAR BEARING

NATF0132S03

Allowable clearance	0 - 0.15 mm (0 - 0.0059 in)	
Thickness mm (in)	Part number*	
2.60 (0.1024)	33114-73P00	
2.69 (0.1059)	33114-73P01	
2.78 (0.1094)	33114-73P02	

*: Always check with the Parts Department for the latest parts information.

GI
MA
EM
LC
EC
FE
CL
MT
AT
TF
PD
AX
SU
BR
ST
RS
BT
HA
SC
EL
IDX

Available Shim

Available Shim

NATF0133

COUNTER GEAR REAR BEARING

NATF0133S01

Allowable clearance	0 - 0.2 mm (0 - 0.008 in)
Thickness mm (in)	Part number*
0.1 (0.004)	33112-C6900
0.2 (0.008)	33112-C6901
0.3 (0.012)	33112-C6902
0.4 (0.016)	33112-C6903
0.5 (0.020)	33112-33G00
0.6 (0.024)	33112-33G01

*: Always check with the Parts Department for the latest parts information.

Supplemental Restraint System (SRS) "AIR BAG" and "SEAT BELT PRE-TENSIONER"

NATF0001

The Supplemental Restraint System such as "AIR BAG" and "SEAT BELT PRE-TENSIONER" used along with a seat belt, helps to reduce the risk or severity of injury to the driver and front passenger for certain types of collision. The SRS system composition which is available to NISSAN MODEL PATHFINDER is as follows:

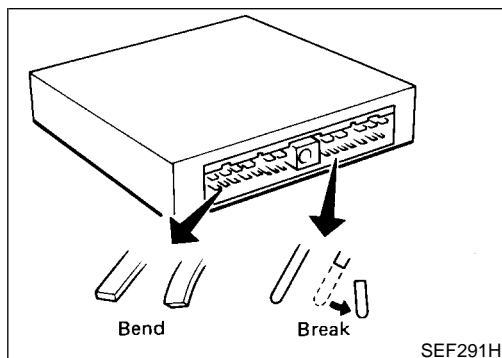
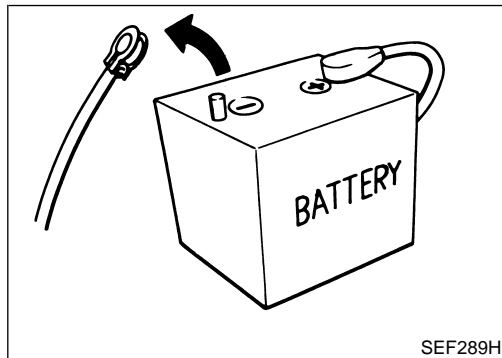
- For a frontal collision
The Supplemental Restraint System consists of driver air bag module (located in the center of the steering wheel), front passenger air bag module (located on the instrument panel on passenger side), seat belt pre-tensioners, a diagnosis sensor unit, warning lamp, wiring harness and spiral cable.
- For a side collision
The Supplemental Restraint System consists of side air bag module (located in the outer side of front seat), satellite sensor, diagnosis sensor unit (one of components of air bags for a frontal collision), wiring harness, warning lamp (one of components of air bags for a frontal collision).

Information necessary to service the system safely is included in the **RS** section of this Service Manual.

WARNING:

- To avoid rendering the SRS inoperative, which could increase the risk of personal injury or death in the event of a collision which would result in air bag inflation, all maintenance must be performed by an authorized NISSAN dealer.
- Improper maintenance, including incorrect removal and installation of the SRS, can lead to personal injury caused by unintentional activation of the system. For removal of Spiral Cable and Air Bag Module, see the RS section.
- Do not use electrical test equipment on any circuit related to the SRS unless instructed to in this Service Manual. SRS wiring harnesses can be identified with yellow harness connector (and with yellow harness protector or yellow insulation tape before the harness connectors).

GI
MA
EM
LC
EC
FE
CL
MT
AT
TF
PD
AX
SU
BR
ST
RS
BT
HA
SC
EL
IDX

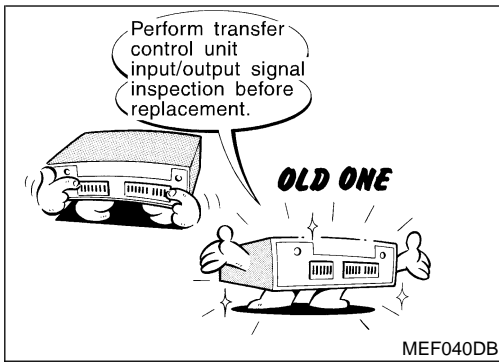


Precautions

NATF0092

- Before connecting or disconnecting the Transfer control unit harness connector, turn ignition switch OFF and disconnect negative battery terminal. Failure to do so may damage the Transfer control unit. Because battery voltage is applied to Transfer control unit even if ignition switch is turned off.
- When connecting or disconnecting pin connectors into or from Transfer control unit, take care not to damage pin terminals (bend or break). Make sure that there are not any bends or breaks on Transfer control unit pin terminal, when connecting pin connectors.

Precautions (Cont'd)



- **Before replacing Transfer control unit, perform Transfer control unit input/output signal inspection and make sure whether Transfer control unit functions properly or not. (See page TF-90.)**

Service Notice

NATF0002

- 1) Before proceeding with disassembly, thoroughly clean the outside of the all-mode 4WD transfer. It is important to prevent the internal parts from becoming contaminated by dirt or other foreign matter.
- 2) Disassembly should be done in a clean work area.
- 3) Use lint-free cloth or towels for wiping parts clean. Common shop rags can leave fibers that could interfere with the operation of the all-mode 4WD transfer.
- 4) Place disassembled parts in order for easier and proper assembly.
- 5) All parts should be carefully cleaned with a general purpose, non-flammable solvent before inspection or reassembly.
- 6) Gaskets, seals and O-rings should be replaced any time the all-mode 4WD transfer is disassembled.
- 7) It is very important to perform functional tests whenever they are indicated.
- 8) The valve body contains precision parts and requires extreme care when parts are removed and serviced. Place removed parts in a parts rack in order to replace them in correct positions and sequences. Care will also prevent springs and small parts from becoming scattered or lost.
- 9) Properly installed valves, sleeves, plugs, etc. will slide along bores in valve body under their own weight.
- 10) Before assembly, apply a coat of recommended ATF to all parts. Apply petroleum jelly to protect O-rings and seals, and to hold bearings and washers in place during assembly. Do not use grease.
- 11) Extreme care should be taken to avoid damage to O-rings, seals and gaskets when assembling.
- 12) After overhaul, refill the transfer with new ATF.
- 13) When the all-mode 4WD transfer drain plug is removed, only some of the fluid is drained. Old all-mode 4WD transfer fluid will remain in torque converter and ATF cooling system. Always follow the procedures, MA-24, "Changing All-mode 4WD Transfer Fluid".

Wiring Diagrams and Trouble Diagnosis

NATF0003

When you read wiring diagrams, refer to the following:

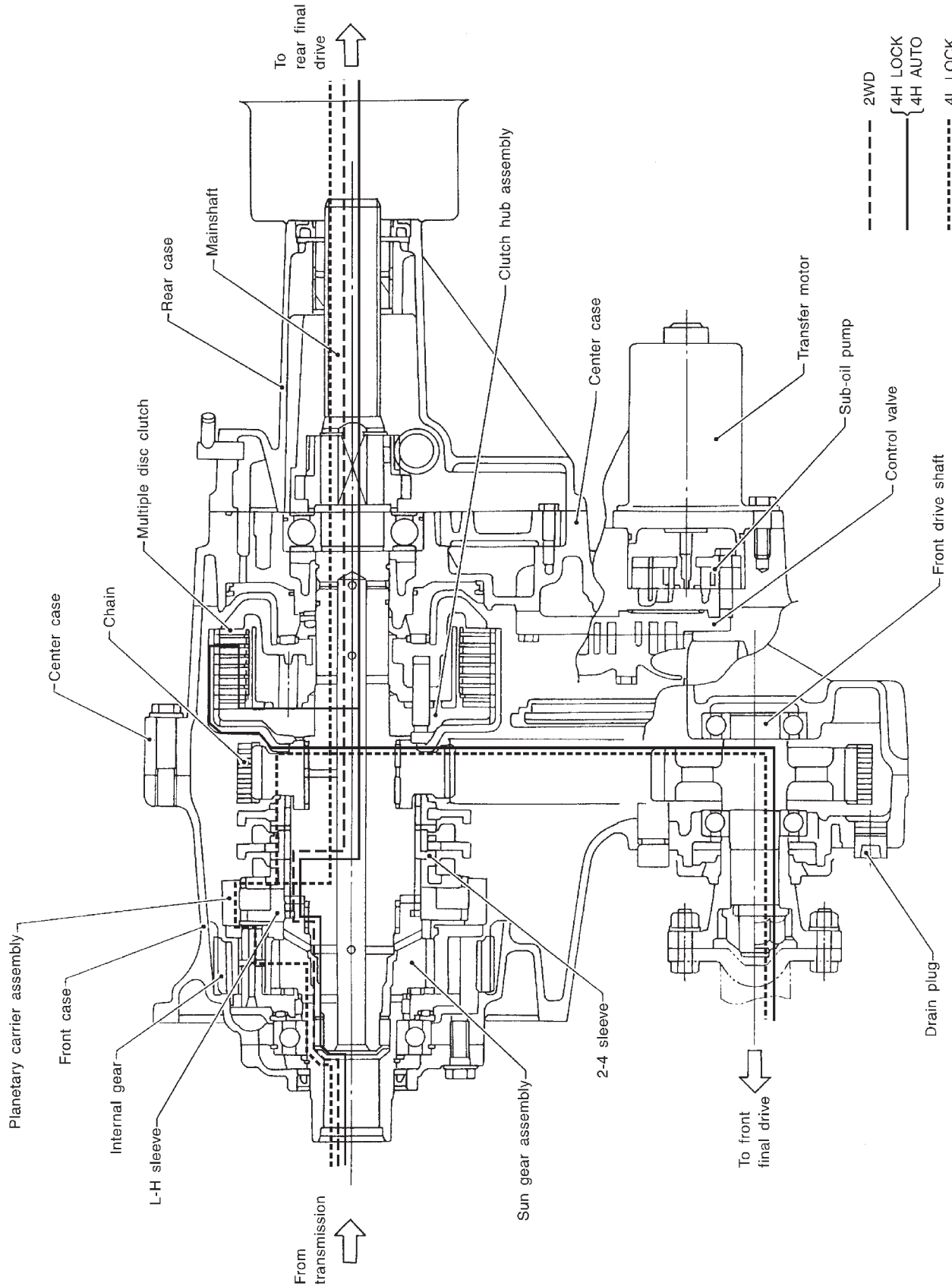
- GI-11, "HOW TO READ WIRING DIAGRAMS"
- EL-11, "POWER SUPPLY ROUTING"

When you perform trouble diagnosis, refer to the following:

- GI-35, "HOW TO FOLLOW TEST GROUPS IN TROUBLE DIAGNOSIS"
- GI-24, "HOW TO PERFORM EFFICIENT DIAGNOSIS FOR AN ELECTRICAL INCIDENT"

Cross-sectional View

NATF0006

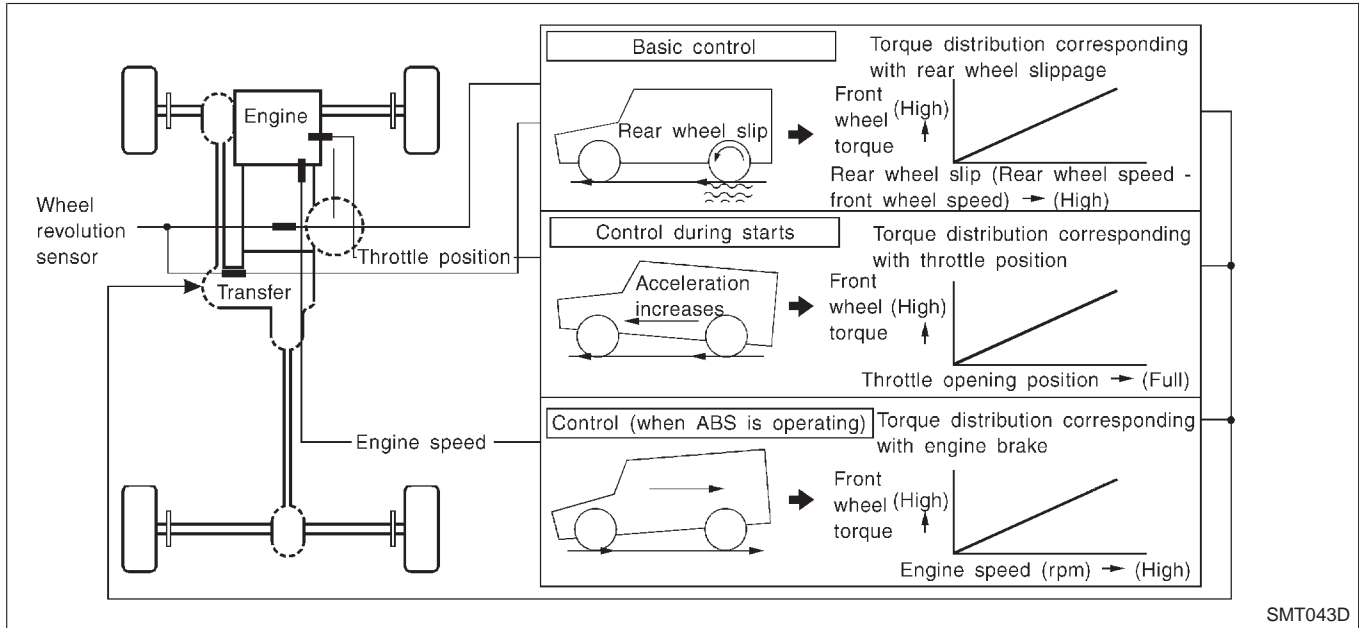


- GI
- MA
- EM
- LC
- EC
- FE
- CL
- MT
- AT
- TF**
- PD
- AX
- SU
- BR
- ST
- RS
- BT
- HA
- SC
- EL
- IDX

SMT953CA

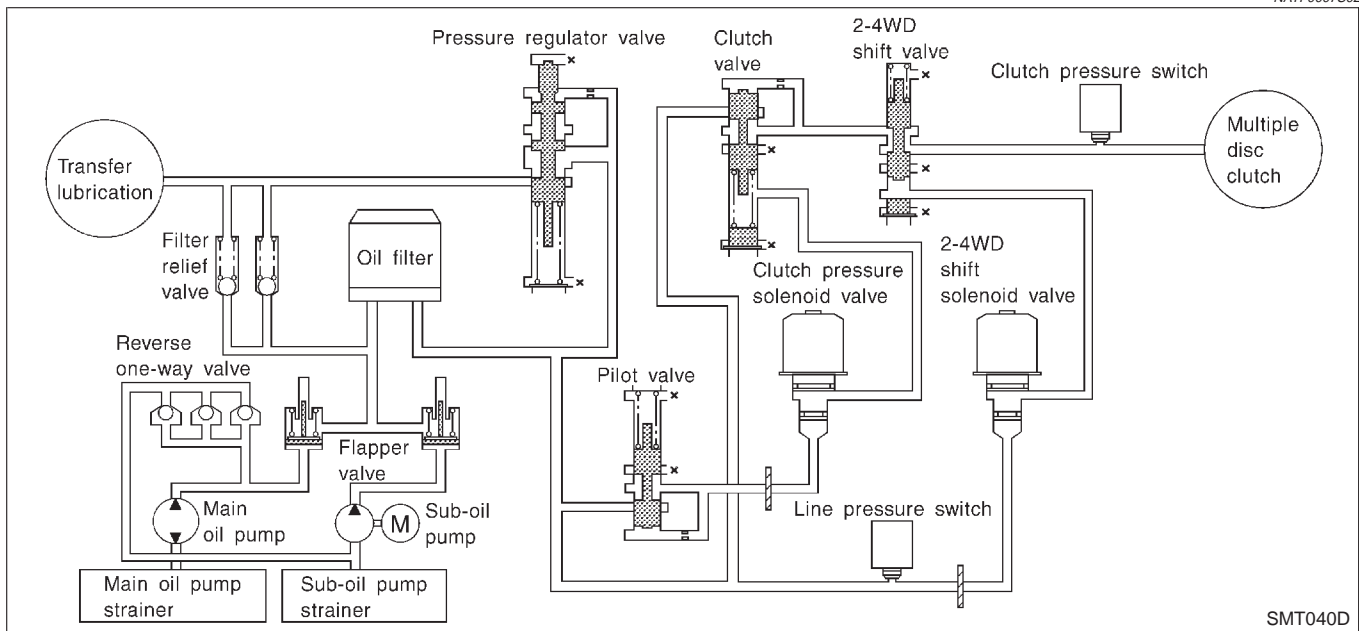
ALL-MODE 4WD TRANSFER BASIC CONTROL

NATF0007S01



HYDRAULIC CONTROL CIRCUITS

NATF0007S02



OUTLINE

NATF0007S03

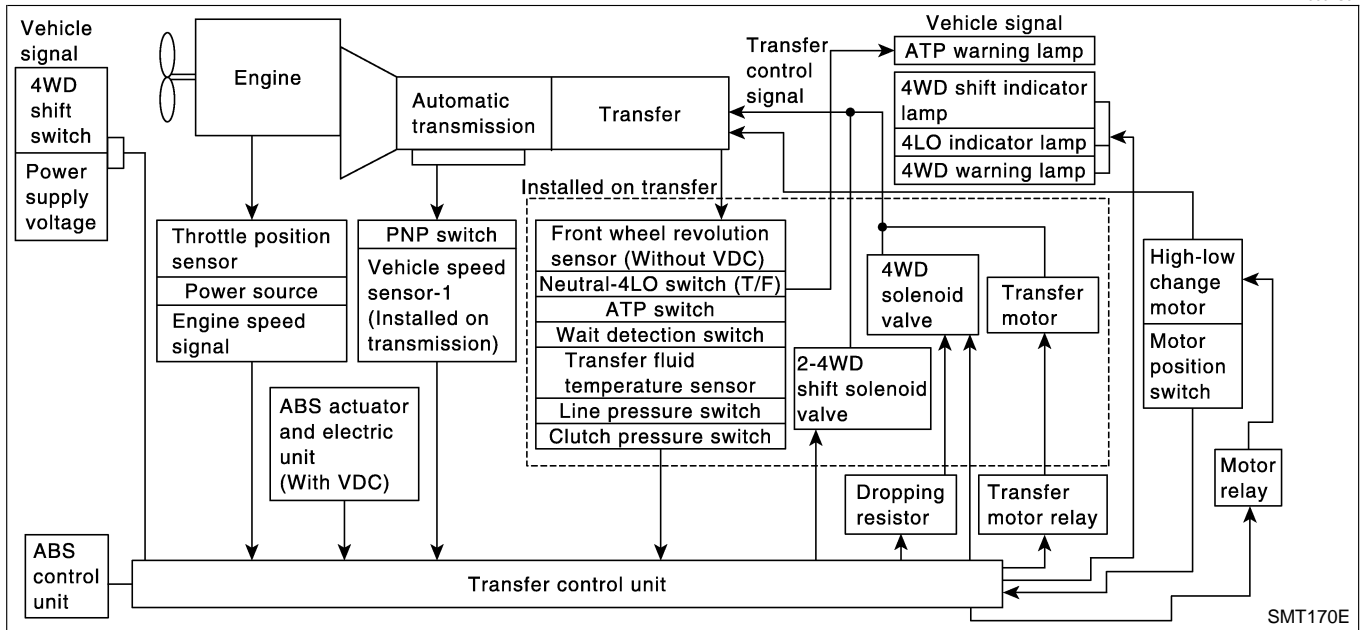
All-mode 4WD transfer is controlled by the transfer control unit and sensors.

If a malfunction occurs in the all-mode 4WD system, the 4WD warning lamp lights up to indicate the system malfunction. There are two ways to identify the cause of the malfunction.

- 1) Performing the self-diagnosis. (The 4WD warning lamp will indicate what kind of malfunction has occurred by flickering.)
- 2) Performing diagnosis using CONSULT-II.

CONTROL SYSTEM DIAGRAM

NATF0007S04



INDICATIONS OF 4WD WARNING LAMP

NATF0007S05

Condition	Content	4WD warning lamp
During self-diagnosis	Indicates the malfunction position by number of flickers.	Flickers at malfunction mode.
Lamp check*	Checks the lamp by turning ON during engine starting. After engine starts, it turns OFF if there are no malfunctions.	ON
Malfunction in 4WD system*	Turns ON to indicate malfunction. When ignition switch is turned to "OFF" or the malfunction is corrected, it turns OFF.	ON
When vehicle is driven with different diameters of front and rear tires	Flickers once every 2 seconds. Turns OFF when ignition switch is "OFF".	Flickers once every 2 seconds.
High fluid temperature in transfer unit	When fluid temperature is high or fluid temperature sensor circuit is shorted, it flickers twice every second. It turns OFF when fluid temperature becomes normal.	Flickers twice a second.
Other than above (System is normal.)	Lamp is OFF.	OFF

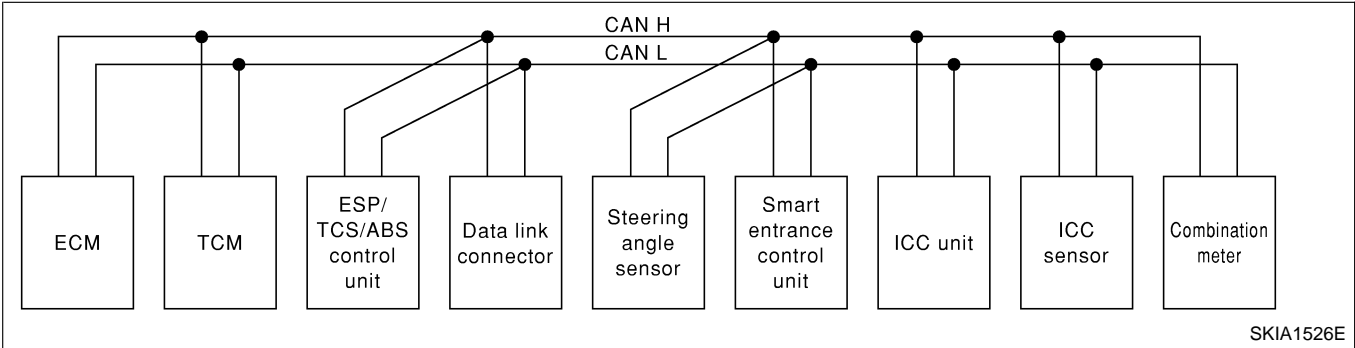
*: When 4WD warning lamp is ON, all the 4WD shift indicator lamps turn OFF.

CAN Communication (With VDC)

=NATF0134

SYSTEM DESCRIPTION

CAN (Controller Area Network) is a serial communication line for real time application. It is an on-vehicle multiplex communication line with high data communication speed and excellent error detection ability. Many electronic control units are equipped onto a vehicle, and each control unit shares information and links with other control units during operation (not independent). In CAN communication, control units are connected with 2 communication lines (CAN H line, CAN L line). These allow a high rate of information transmission with less wiring. Each control unit transmits/receives data but selectively reads required data only.



SKIA1526E

INPUT/OUTPUT SIGNAL CHART

NATF0134S02
T: Transmit R: Receive

Signals	ECM	TCM	Transfer control unit	Steering angle sensor	ABS actuator and electric unit (control unit)	Combination meter
Engine speed signal	T		R		R	R
Accelerator pedal position signal	T		R		R	
Closed throttle position signal	T	R				
Shift pattern signal	R	T				
VDC operation signal	R		R		T	
TCS operation signal	R		R		T	
ABS operation signal	R		R		T	
Output shaft revolution signal	R	T	R			
ETC fail signal	T		R			
During shifting signal	R	T	R		R	
Steering wheel angle sensor signal				T	R	
Wheel speed sensor signal			R		T	
Brake switch signal		R				T
MI signal	T					R
Engine coolant temperature signal	T					R
Fuel consumption signal	T					R
Vehicle speed signal					T	R
	R					T
Lock-up prohibition signal	T	R				
Lock-up signal	R	T				

ALL-MODE 4WD SYSTEM

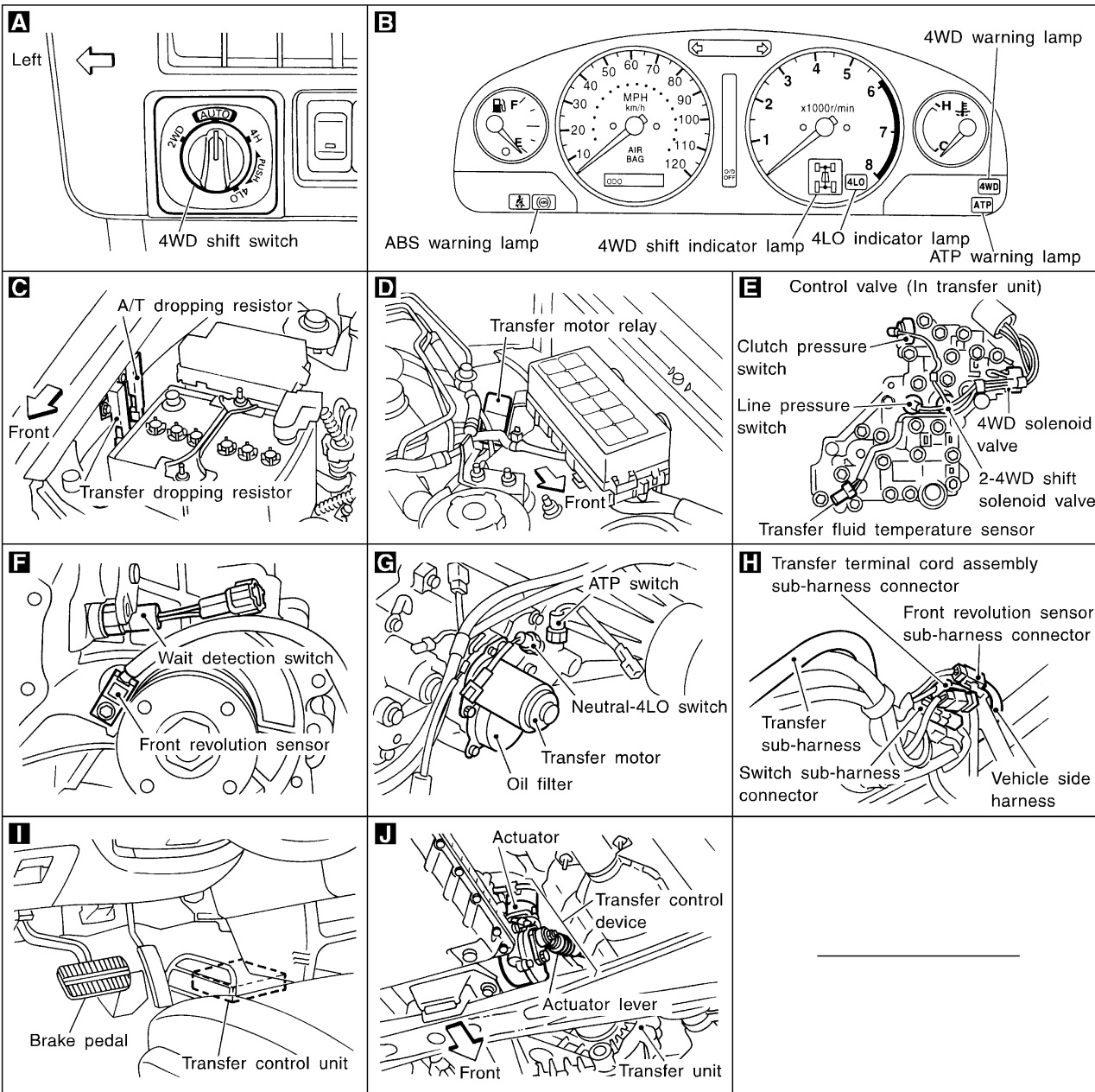
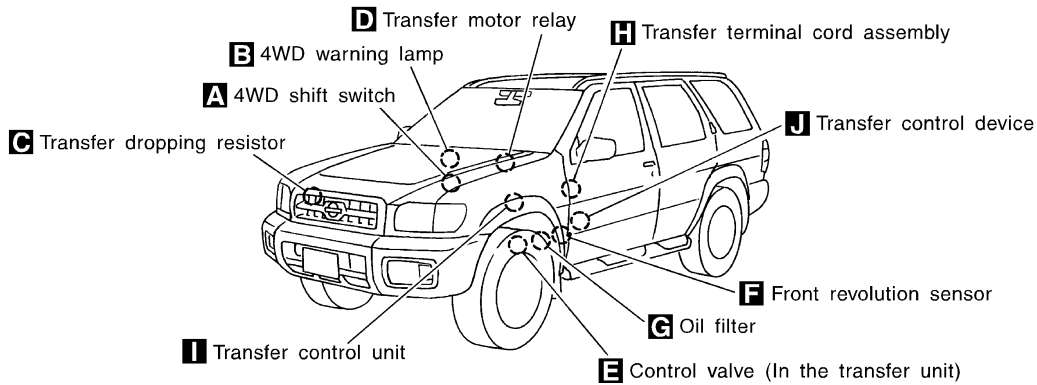
ATX14A

CAN Communication (With VDC) (Cont'd)

Signals	ECM	TCM	Transfer control unit	Steering angle sensor	ABS actuator and electric unit (control unit)	Combination meter
Neutral range switch signal		R				T
Parking range switch signal		R				T
O/D off switch signal		R				T
POWER mode signal		R				T
A/C compressor feedback signal	T					R
Fuel level sensor signal	R					T

Location of Electrical Parts

NATF0008


 GI
 MA
 EM
 LC
 EC
 FE
 CL
 MT
 AT
TF
 PD
 AX
 SU
 BR
 ST
 RS
 BT
 HA
 SC
 EL
 IDX

SMT171E

Description of Electrical Parts

NATF0067

TRANSFER MOTOR

NATF0067S01

1. The transfer motor drives the sub-oil pump to provide proper lubrication and oil pressure control when the vehicle is at standstill, during low-speed operations or is being driven in reverse.
2. The main oil pump is operated by the driving force of the mainshaft. In other words, sufficient oil pressure buildup does not occur when the vehicle is at standstill or during low-speed operations. While the vehicle is being driven in reverse, the main oil pump rotates in the reverse direction. Therefore the main oil pump does not discharge oil pressure. During any of the above vehicle operations, the transfer motor drives the sub-oil pump to compensate for insufficient oil pressure.
3. The transfer motor operates as follows:
 - 1) The motor relay turns OFF in the 2WD mode.
 - 2) The motor relay operates as described in the table below in modes other than the 2WD mode.

Table 1

PNP switch "R" position	VFF (Vehicle speed)	A/T position	Motor relay drive command
ON	—	R	ON
OFF	0 km/h	Positions other than the "P" or "N" positions	ON
	—	"P" or "N" position (See Table 2.)	—
	$0 < VFF \leq 30$ km/h	—	ON
	$30 < VFF < 35$ km/h	—	HOLD
	35 km/h \leq VFF	—	OFF

Table 2

A/T position	N-4L SW	4WD mode	Throttle position		
			0 - 0.07/8	0.07/8 - 1/8	1/8 - MAX
N	OFF	LOCK (4H)	ON	ON	ON
		Positions other than the LOCK position (2WD or AUTO)	See NOTE.	HOLD	ON
	ON	—	See NOTE.	HOLD	ON
P	—	—	See NOTE.	HOLD	ON

NOTE:

OFF (after 2.5 seconds have elapsed.)

4. 4WD shift switch, PNP switch, Neutral-4LO switch, vehicle speed sensor and throttle position sensor are used in conjunction with the transfer motor.

WAIT DETECTION SWITCH

NATF0067S02

1. The wait detection switch releases the "booming" torque produced in the propeller shaft. After the release of the "booming" torque, the wait detection switch helps provide the 4WD lock gear (clutch drum) shifts. A difference may occur between the operation ("4LO" to "4H" shift only) of the 4WD shift switch and actual drive mode. At this point, the wait detection switch senses an actual drive mode.
2. The wait detection switch operates as follows:
 4WD lock gear (clutch drum) locked: ON
 4WD lock gear (clutch drum) released: OFF
3. The wait detection switch senses an actual drive mode and the 4WD shift indicator lamp indicates the vehicle drive mode.

2-4WD SHIFT SOLENOID VALVE

NATF0067S03

The 2-4WD shift solenoid valve operates to apply oil pressure to the wet, multiplate clutch, depending on the drive mode. The driving force is transmitted to the front wheels through the clutch so the vehicle is set in the 4WD mode. Setting the vehicle in the 2WD mode requires no pressure buildup. In other words, pressure force applied to the wet, multiplate clutch becomes zero.

LINE PRESSURE SWITCH

NATF0067S04

1. With the transfer system design, control of the oil pressure provides the transmission of drive torque to the front wheels. The main pressure to control the oil pressure is referred to as the line pressure. The line pressure switch determines whether or not adequate line pressure has built up under different operating conditions.
2. The line pressure switch turns ON when line pressure is produced.
3. The line pressure switch senses line pressure abnormalities and turns the 4WD warning lamp ON.

GI

MA

EM

LC

EC

FE

CL

MT

AT

TF

PD

AX

SU

BR

ST

RS

BT

HA

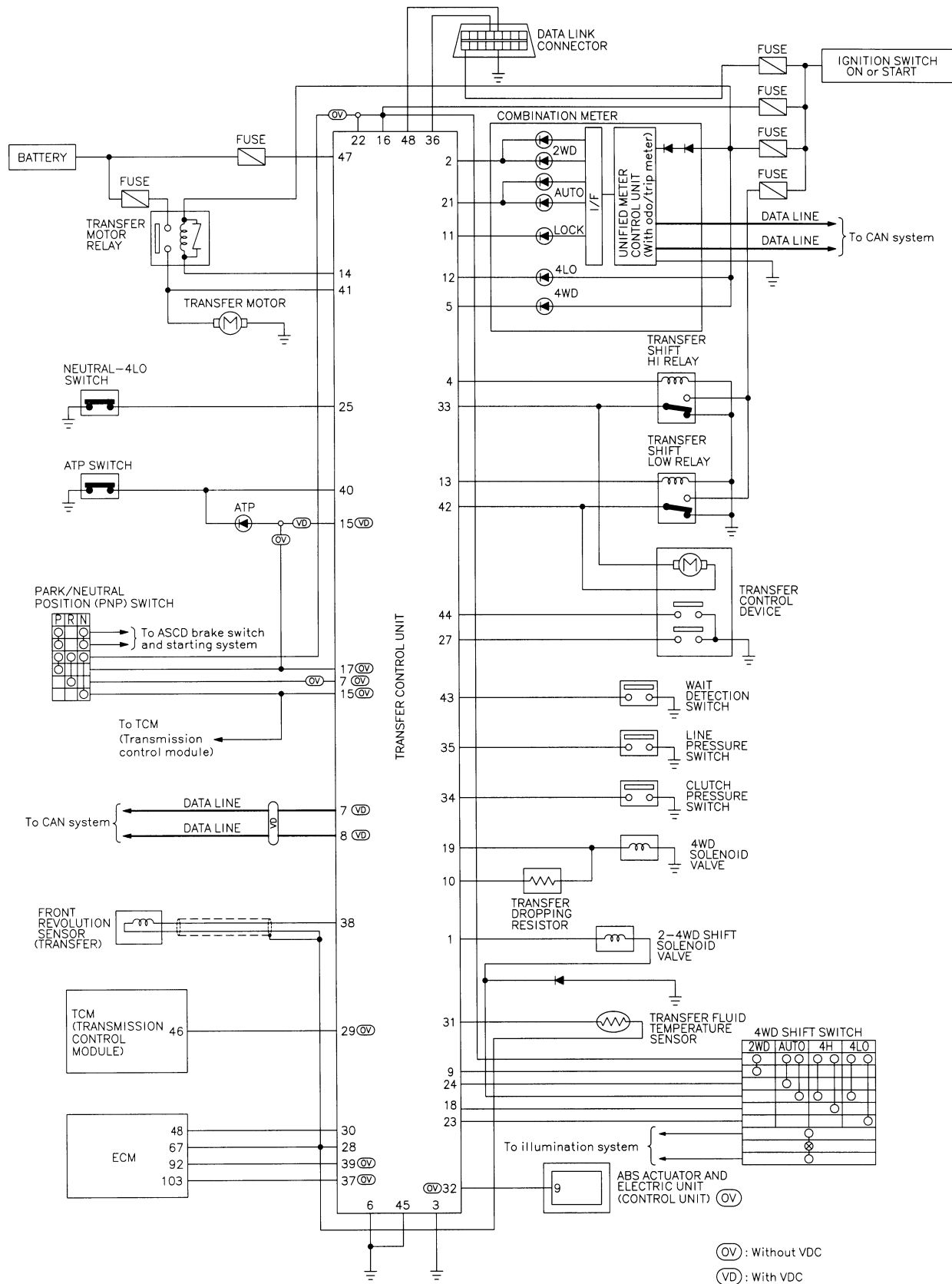
SC

EL

IDX

Circuit Diagram for Quick Pinpoint Check

NATF0009

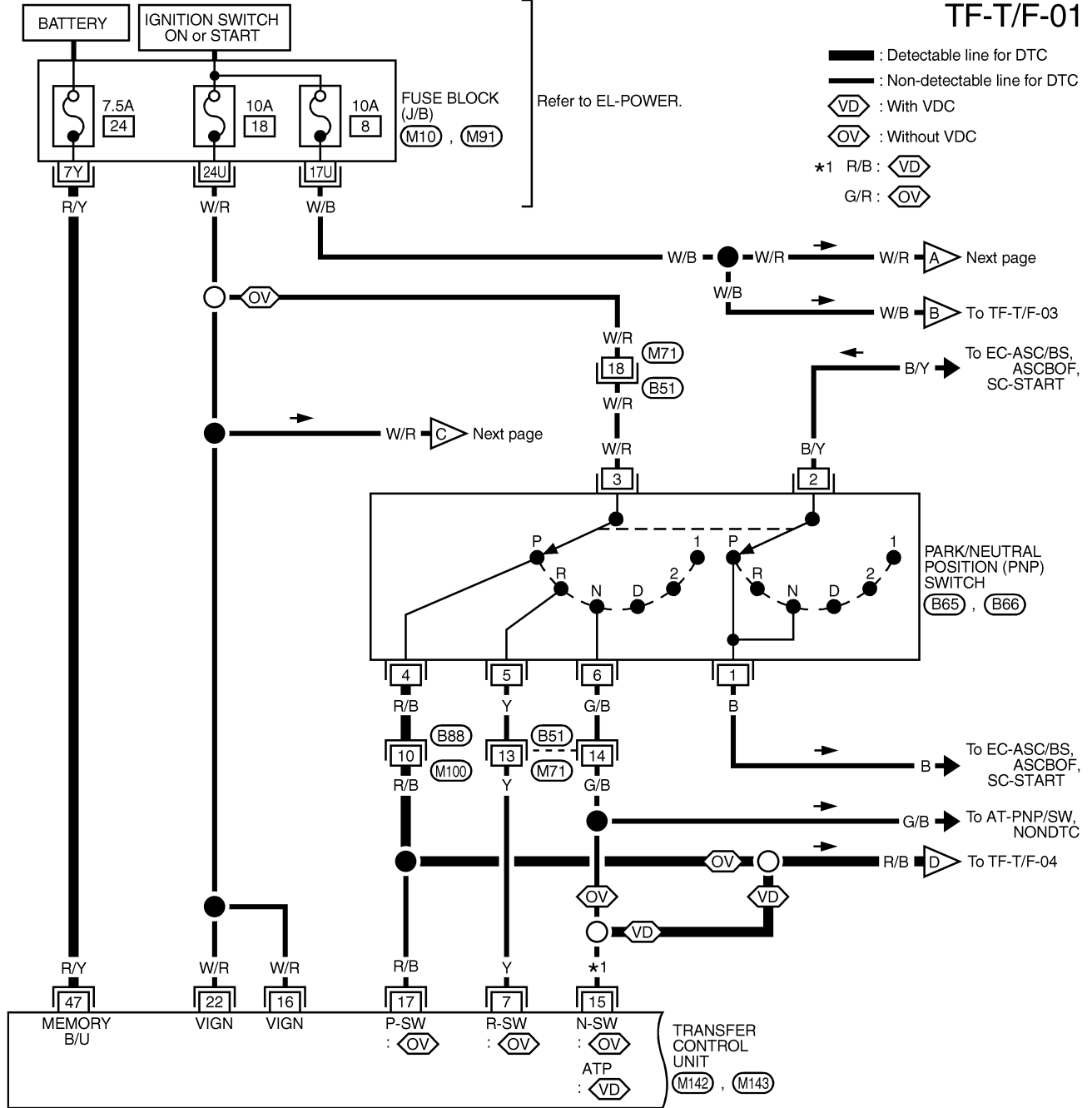


MTF171A

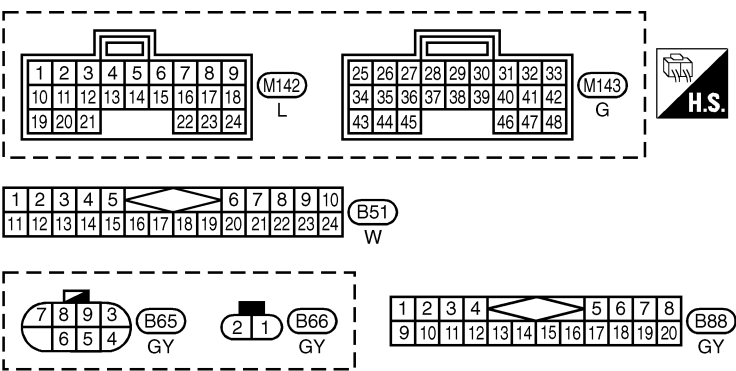
Wiring Diagram — TF —

NATF0010

TF-T/F-01



GI
MA
EM
LC
EC
FE
CL
MT
AT
TF
PD
AX
SU
BR
ST
RS
BT
HA
SC
EL
IDX



REFER TO THE FOLLOWING.
(M10), (M91) - FUSE BLOCK-JUNCTION BOX (J/B)

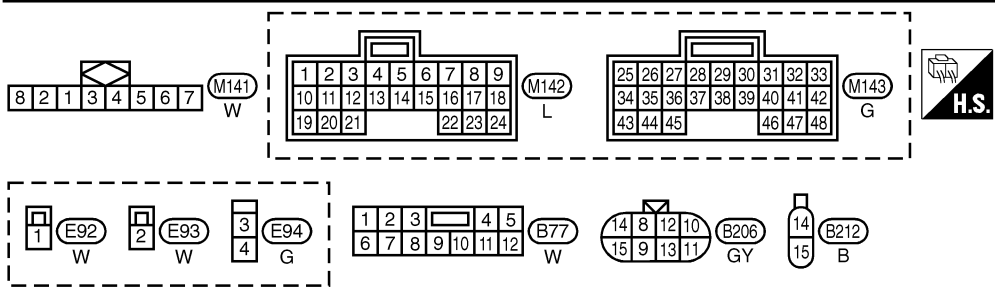
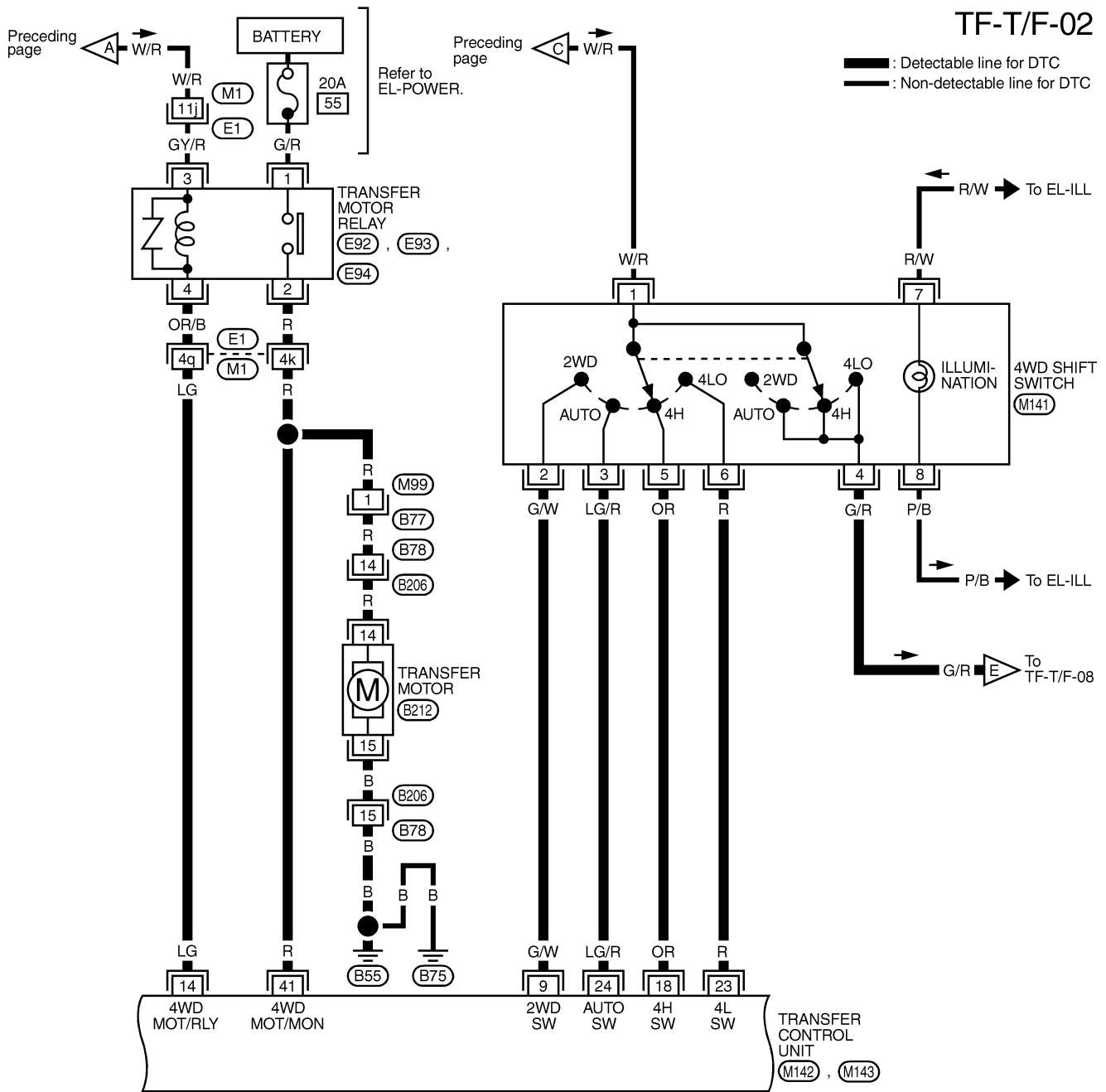
MTF172A

ALL-MODE 4WD SYSTEM

ATX14A

Wiring Diagram — TF — (Cont'd)

TF-T/F-02

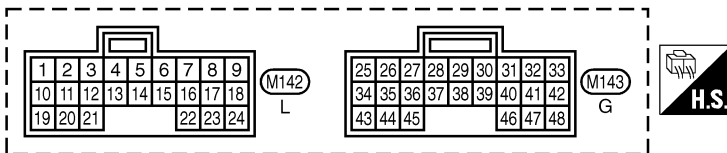
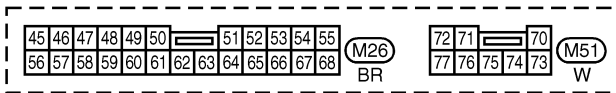
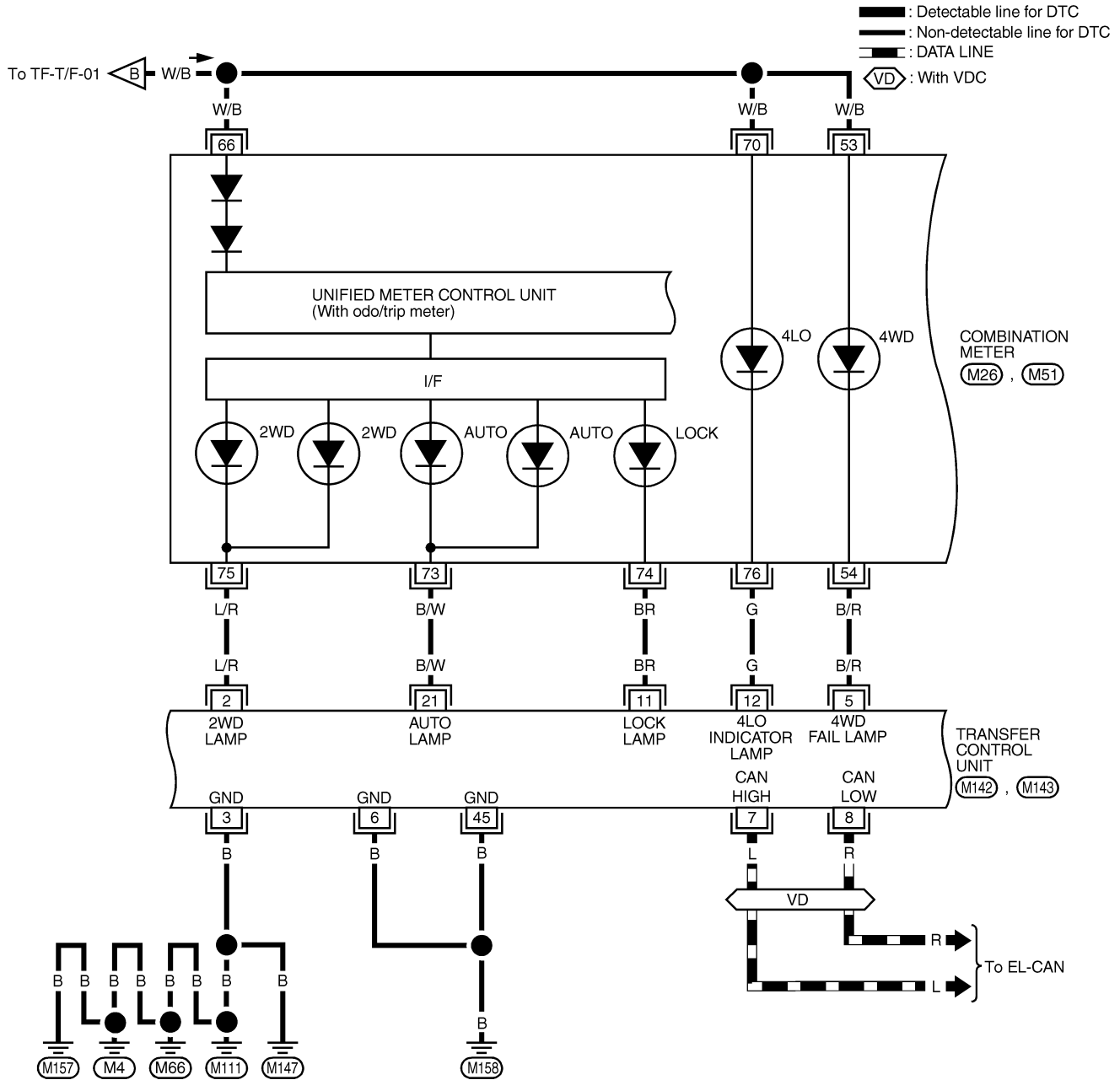


REFER TO THE FOLLOWING.
 E1 -SUPER
 MULTIPLE JUNCTION (SMJ)



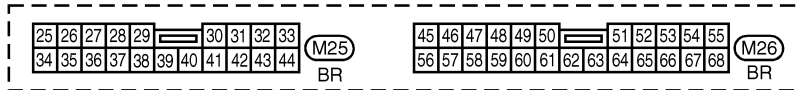
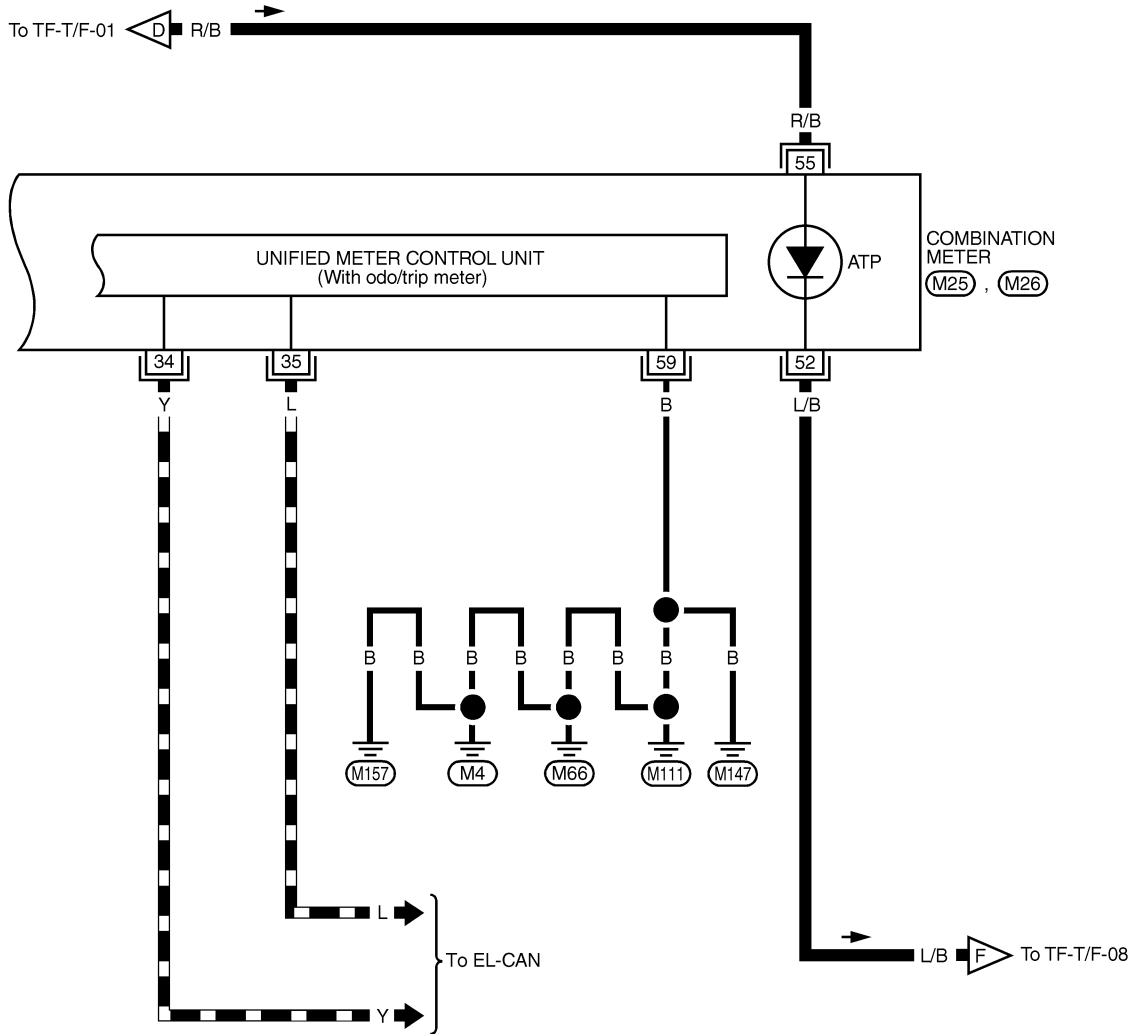
MTF173A

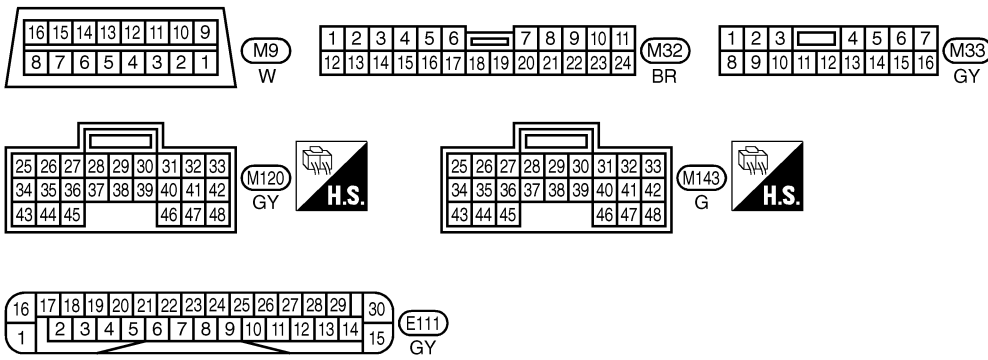
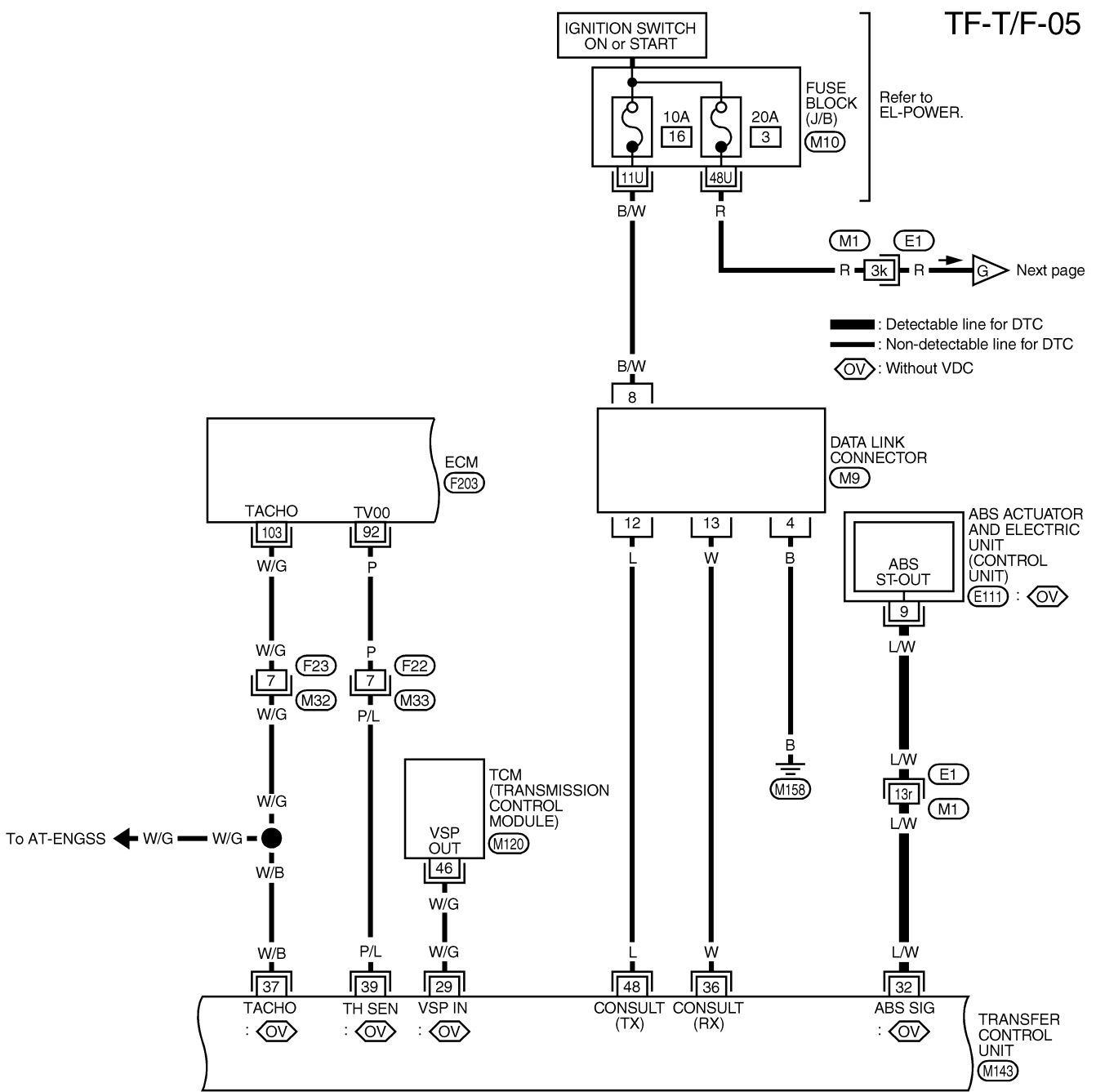
TF-T/F-03



TF-T/F-04

- : Detectable line for DTC
- : Non-detectable line for DTC
- : DATA LINE



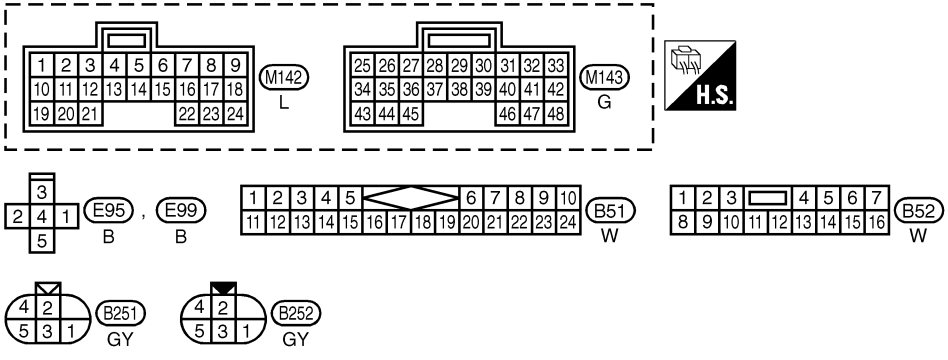
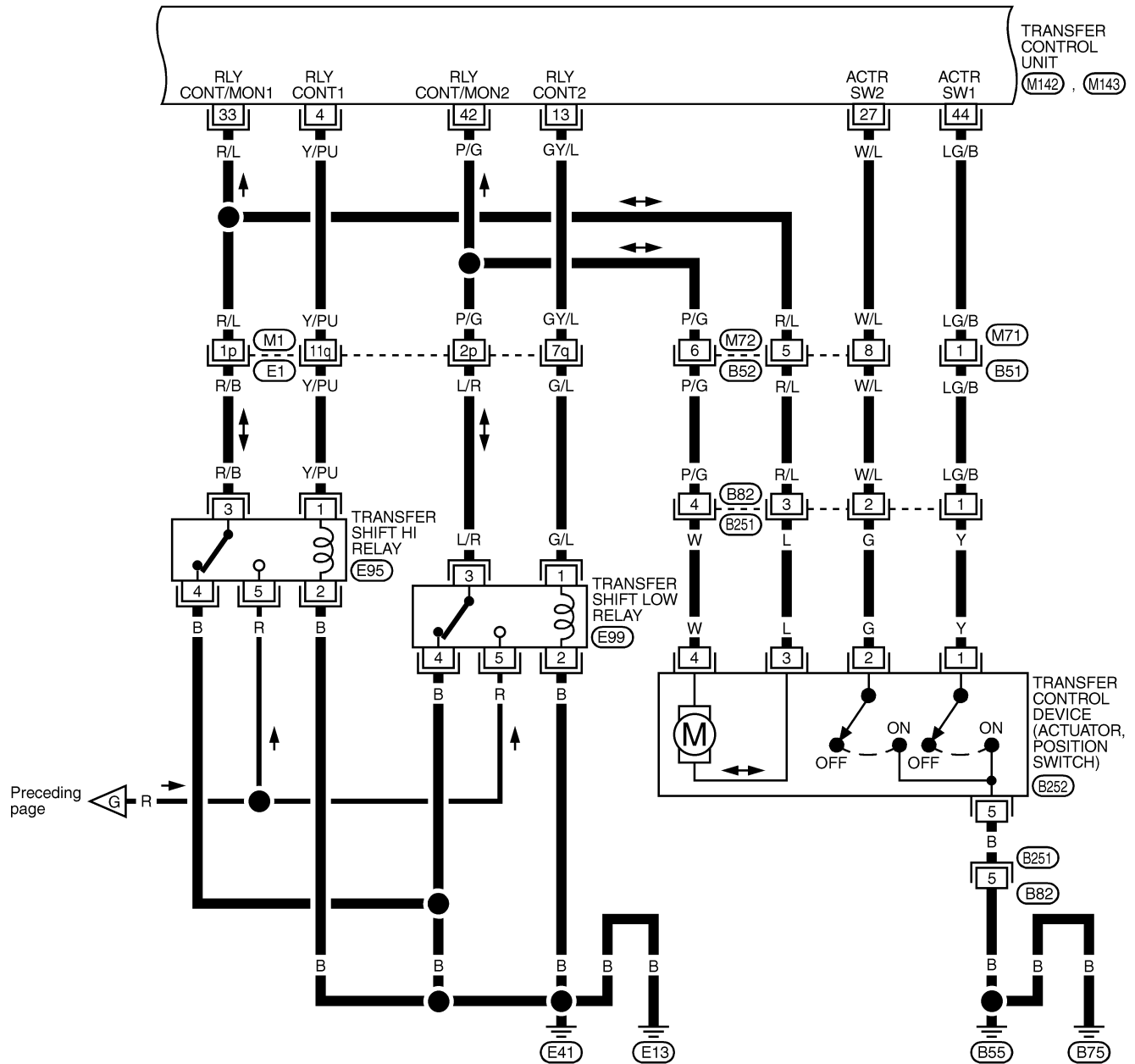


REFER TO THE FOLLOWING.

(E1) -SUPER
 MULTIPLE JUNCTION (SMJ)
 (M10) -FUSE BLOCK-
 JUNCTION BOX (J/B)
 (F203) -ELECTRICAL UNITS

GI
 MA
 EM
 LC
 EC
 FE
 CL
 MT
 AT
TF
 PD
 AX
 SU
 BR
 ST
 RS
 BT
 HA
 SC
 EL
 IDX

: Detectable line for DTC
 : Non-detectable line for DTC

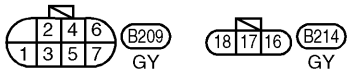
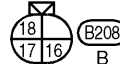
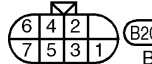
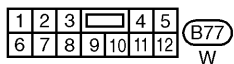
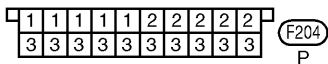
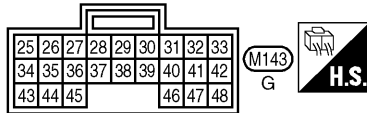
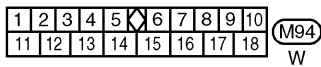
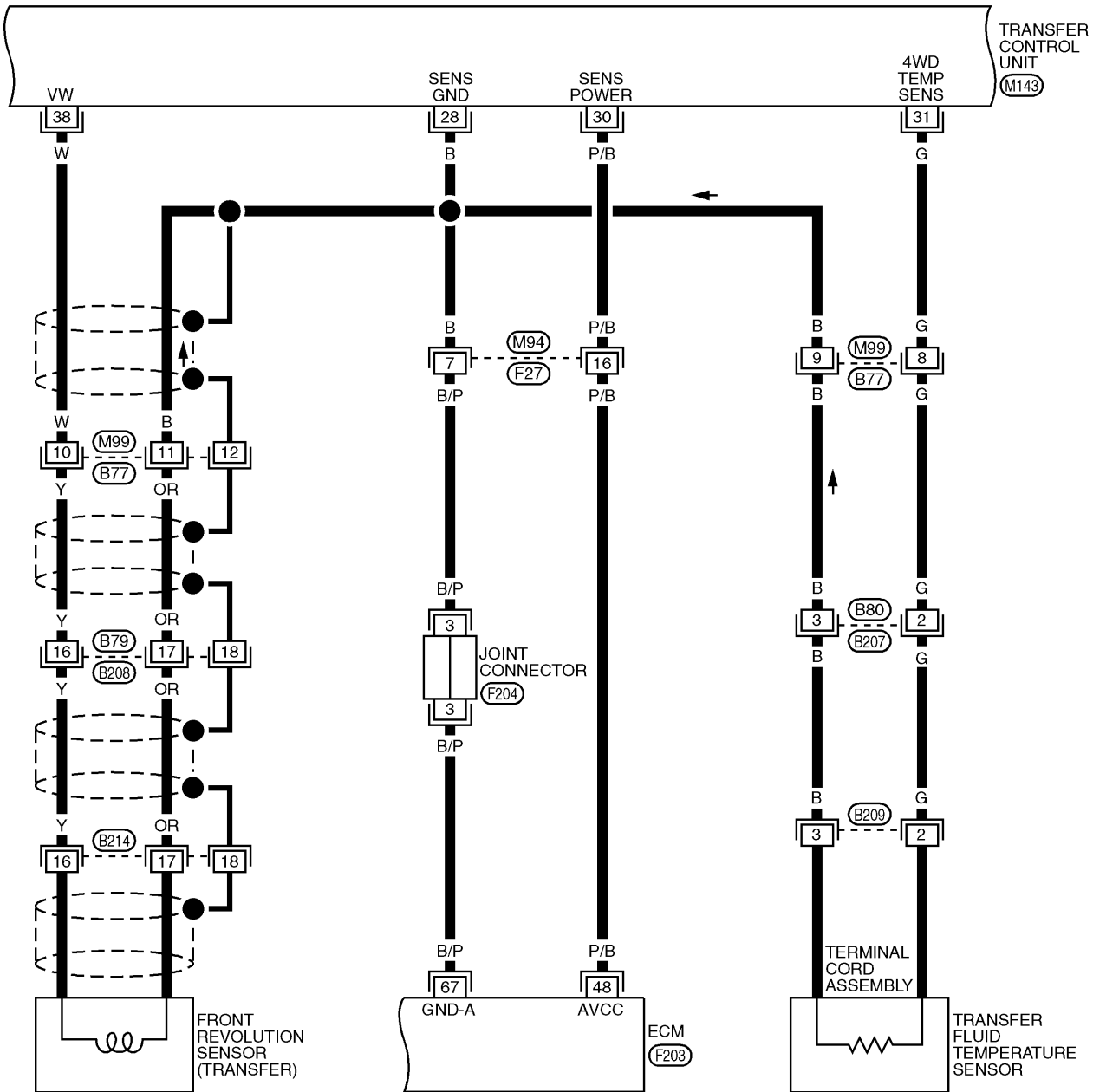


REFER TO THE FOLLOWING.

- (E1) -SUPER
- MULTIPLE JUNCTION (SMJ)

TF-T/F-07

: Detectable line for DTC
 : Non-detectable line for DTC



REFER TO THE FOLLOWING.
 (F203) - ELECTRICAL UNITS

MTF178A

GI
MA
EM
LC
EC
FE
CL
MT
AT
TF
PD
AX
SU
BR
ST
RS
BT
HA
SC
EL
IDX

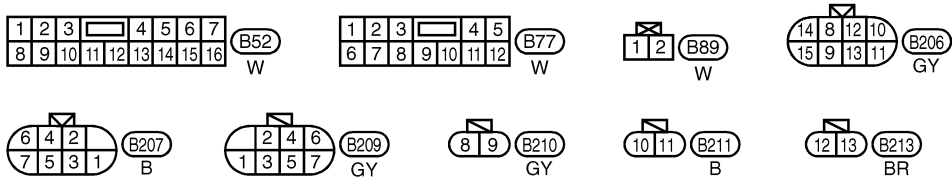
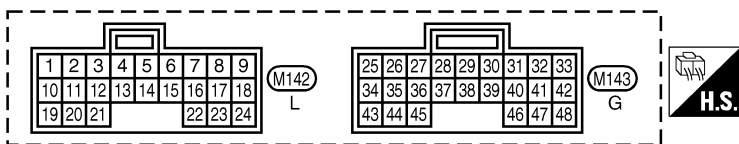
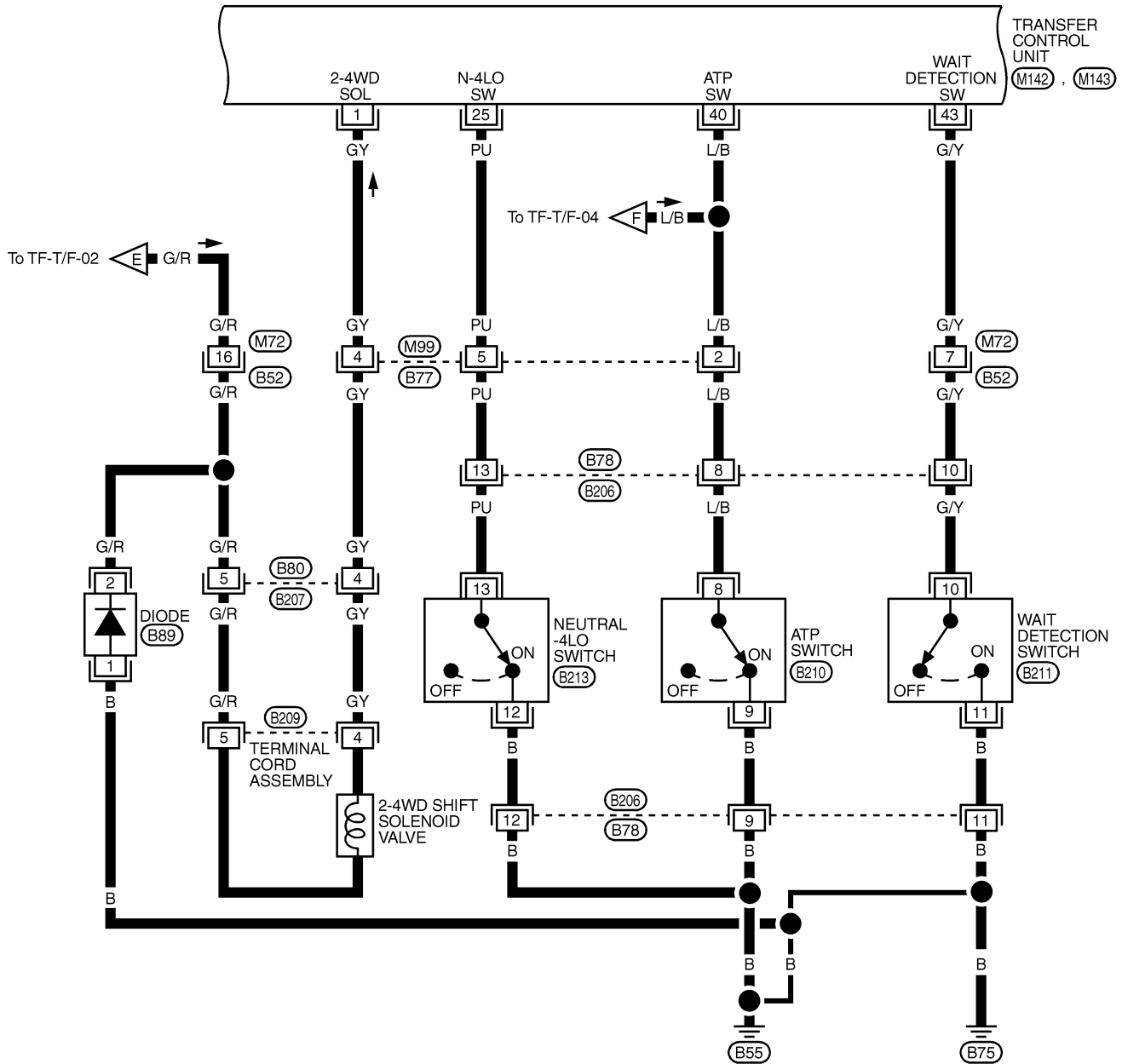
ALL-MODE 4WD SYSTEM

ATX14A

Wiring Diagram — TF — (Cont'd)

TF-T/F-08

— : Detectable line for DTC
 — : Non-detectable line for DTC



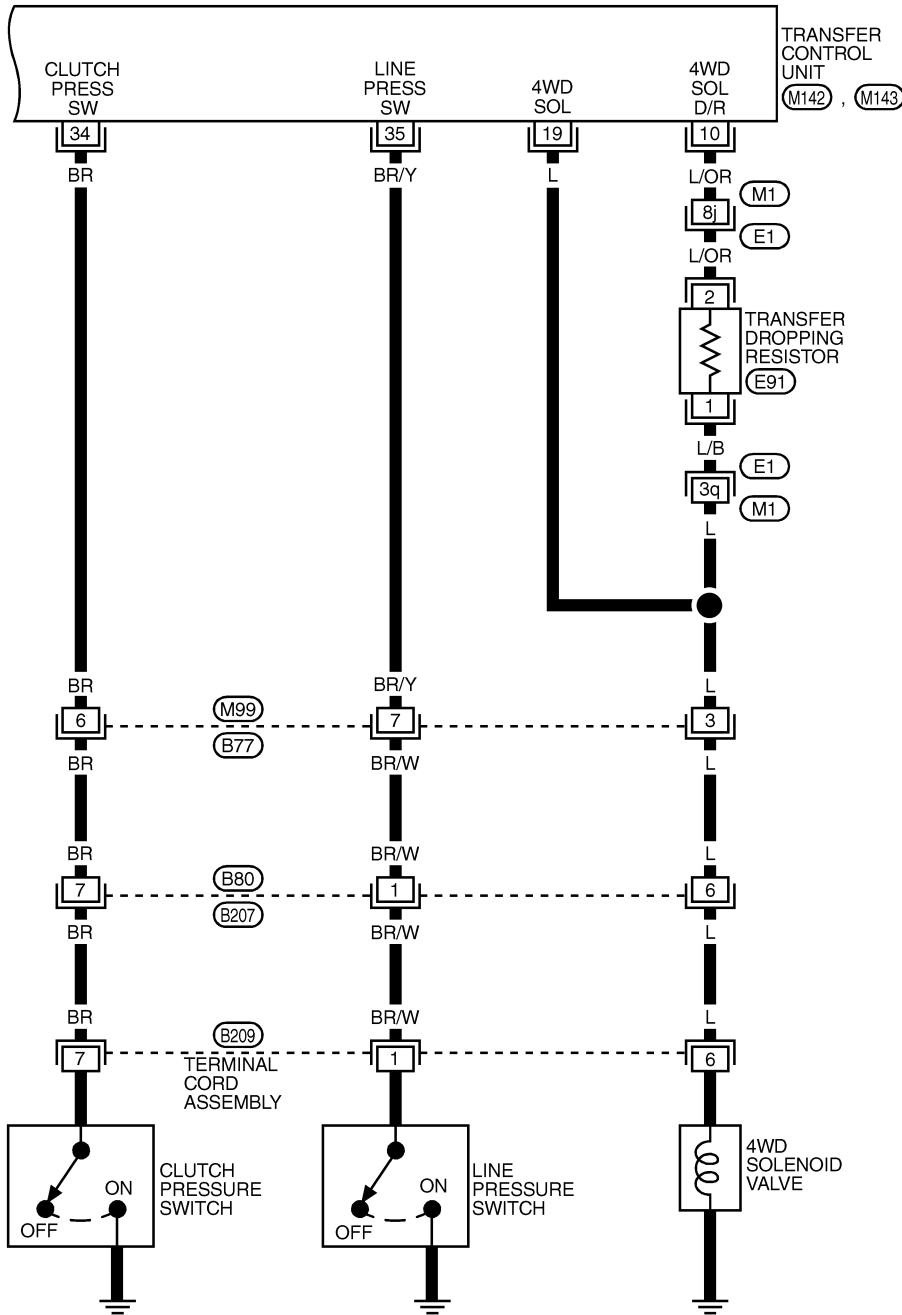
MTF179A

ALL-MODE 4WD SYSTEM

ATX14A

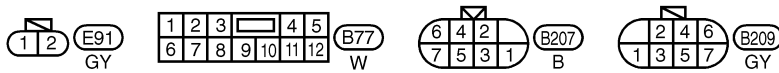
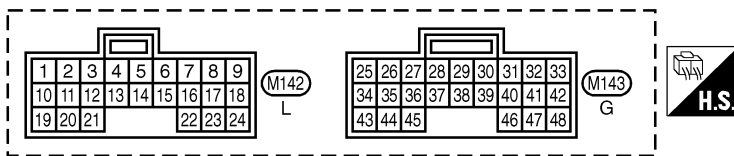
Wiring Diagram — TF — (Cont'd)

TF-T/F-09



REFER TO THE FOLLOWING.

(E1) -SUPER
MULTIPLE JUNCTION (SMJ)



GI
MA
EM
LC
EC
FE
CL
MT
AT
TF
PD
AX
SU
BR
ST
RS
BT
HA
SC
EL
IDX

MTF180A

Trouble Diagnosis without CONSULT-II DESCRIPTION

NATF0011

NATF0011S01

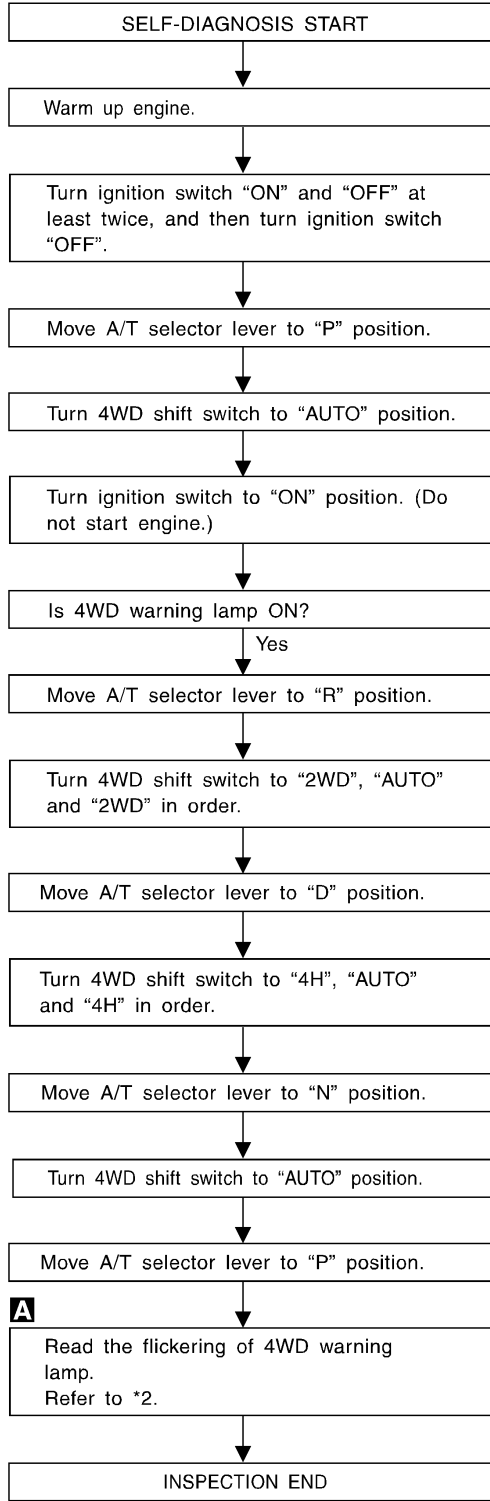
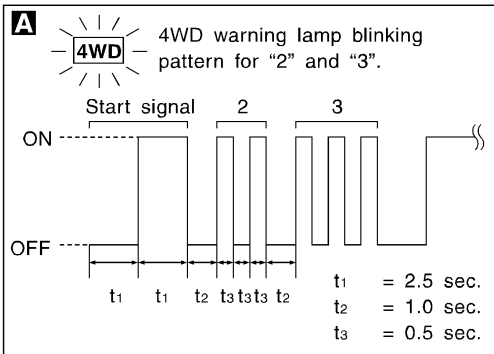
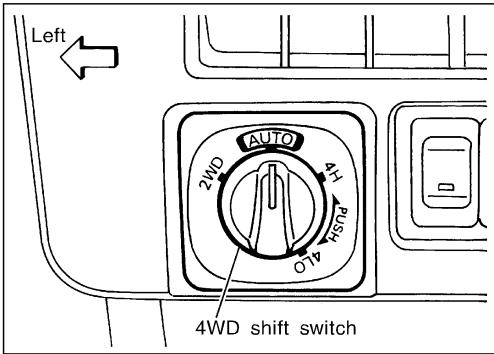
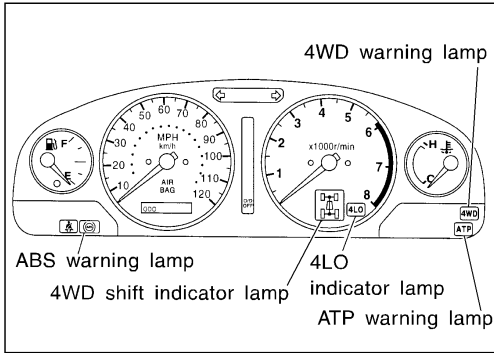
If the engine starts when there is something wrong with the all-mode 4WD system, the 4WD warning lamp turns ON or flickers in the combination meter. When the system functions properly, the warning lamp turns ON when the ignition switch is turned to "ON", and it turns OFF after engine starts.

To locate the cause of a problem, start the self-diagnosis function. The 4WD warning lamp in the combination meter will indicate the problem area by flickering according to the self-diagnostic results. As for the details of the 4WD warning lamp flickering patterns, refer to TF-64.

SELF-DIAGNOSTIC PROCEDURE

NATF0011S02

GI
MA
EM
LC
EC
FE
CL
MT
AT
TF
PD
AX
SU
BR
ST
RS
BT
HA
SC
EL
IDX



*1: TF-137

*2: TF-64

SMT993D

INDICATIONS OF 4WD WARNING LAMP

NATF0011S03

Flickering pattern or flickering condition	Malfunction	Check items
1	Front revolution sensor circuit is shorted or open.	Revolution sensor (front) circuit, TF-98.
2	Rear revolution sensor circuit is shorted or open.	Revolution sensor (rear) [Refer to AT-117, "DTC P0720 Vehicle Speed Sensor-A/T (Revolution sensor)".]
3	4WD solenoid valve circuit is shorted or open.	4WD solenoid valve circuit, TF-101.
4	2-4WD shift solenoid valve circuit is shorted or 2WD switch of 4WD shift switch is shorted.	2-4WD shift solenoid valve circuit or 4WD shift switch circuit, TF-103.
5	Transfer motor relay circuit is shorted or open.	Transfer motor relay circuit, TF-107.
6	If unexpected signal is detected because of ABS wheel sensor malfunction or communications error between the vehicles	Refer to ABS wheel sensor signal circuit diagnosis.
7	When malfunction in CAN communication system is detected	Refer to CAN communication system diagnosis.
8	Power supply voltage of throttle position sensor is improper. Or A/D converter of transfer control unit functions improperly.	Throttle position sensor (Refer to AT-182, "DTC P1705 Throttle Position Sensor".)
9	Transfer fluid temperature sensor circuit is open.	Transfer fluid temperature sensor circuit, TF-110.
10	Neutral-4LO switch circuit is shorted or open.	Neutral-4LO switch circuit, TF-113.
11	2-4WD shift solenoid valve circuit, 2WD switch of 4WD shift switch circuit or clutch pressure switch circuit is shorted or open.	2-4WD shift solenoid valve circuit, 4WD shift switch circuit or clutch pressure switch circuit, TF-103, 117.
12	Line pressure switch circuit is shorted or open.	Line pressure switch circuit, TF-120.
13	Engine speed signal circuit is shorted or open.	Engine speed signal (Refer to AT-122, "DTC P0725 Engine Speed Signal".)
14	Throttle position sensor circuit is shorted or open.	Throttle position sensor (Refer to AT-182, "DTC P1705 Throttle Position Sensor".)
15	Malfunction in power supply circuit of transfer control unit.	Power supply of transfer control unit
16	4WD shift switch circuit is shorted.	4WD shift switch circuit, TF-103.
17	ABS operation signal circuit is shorted.	ABS operation signal circuit, TF-123.
18	ATP switch, wait detection switch or neutral-4LO switch circuit is shorted or open.	ATP switch, wait detection switch or neutral-4LO switch circuit*, TF-113.
19	Transfer control device actuator motor is malfunctioning. (Malfunctions are detected when actuator motor fails to operate while shifting from "4H" to "4LO" or vice versa.)	Actuator motor and motor circuit, TF-152, 126.
20	Transfer control device actuator motor arm position sensing switch is malfunctioning.	Actuator motor arm position sensing switch and sensing switch circuit, TF-152, 129.
21	Transfer control device actuator circuit is shorted or open. (Malfunctions are detected when motor relay circuit is open/shorted or relay monitor circuit is open/shorted.)	Actuator motor, actuator motor arm position sensing switch and their associated circuits, TF-151, 152 and 131.
22	If VDC operation signal is being input because of VDC malfunction or communication error between the vehicles	Refer to VDC C/U diagnosis.

Flickering pattern or flickering condition	Malfunction	Check items
23	If TCS operation signal is being input because of TCS malfunction or communication error between the vehicles	Refer to VDC C/U diagnosis.
24	If unexpected signal is input because of AT PNP switch circuit or communication error between the vehicles	Refer to AT trouble diagnosis.
Repeats flickering every 2 to 5 sec.	Circuits that the self-diagnosis covers have no malfunction.	—
Repeats flickering every 0.25 sec.	<ul style="list-style-type: none"> ● Power supply failure of memory back-up. ● Battery is disconnected for a long time. ● Battery performance is poor. 	Data erase/display circuit, TF-125.
No flickering	PNP switch or 4WD shift switch circuit is shorted or open.	PNP switch (Refer to AT-105, "DTC P0705 Park/Neutral Position Switch".) or 4WD shift switch circuit, TF-103.

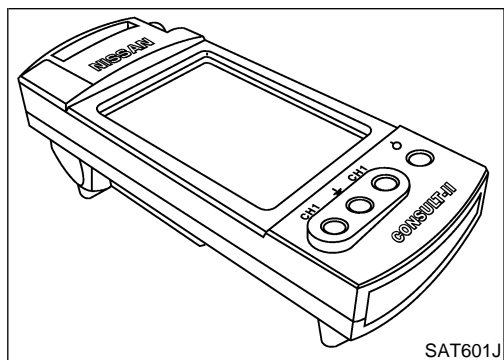
*: If revolution sensor malfunction is simultaneously detected, check revolution sensor first.

Trouble Diagnosis with CONSULT-II CONSULT-II FUNCTION

NATF0012

NATF0012S10

Diagnostic test mode	Function
Work support	<ul style="list-style-type: none"> ● This mode enables a technician to adjust some devices faster and more accurately by following the indications on the CONSULT-II unit.
Self-diagnostic results	<ul style="list-style-type: none"> ● Self-diagnostic results can be read and erased quickly.
Data monitor	<ul style="list-style-type: none"> ● Input/Output data in the AWD control unit can be read.
CAN diagnostic support monitor	<ul style="list-style-type: none"> ● The results of transmit/receive diagnosis of CAN communication can be read.
Active test	<ul style="list-style-type: none"> ● Diagnostic Test Mode in which CONSULT-II drives some actuators apart from the AWD control unit and also shifts some parameters in a specified range.
ECU part number	<ul style="list-style-type: none"> ● AWD control unit part number can be read.



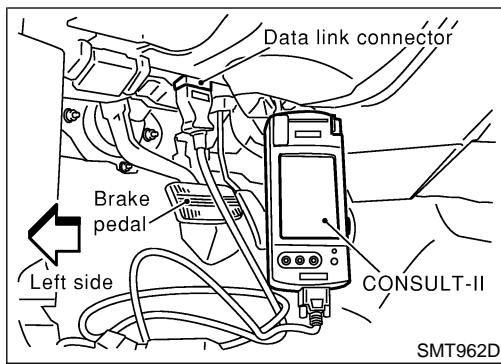
SELF-DIAGNOSIS CONSULT-II Setting Procedure

NATF0012S01

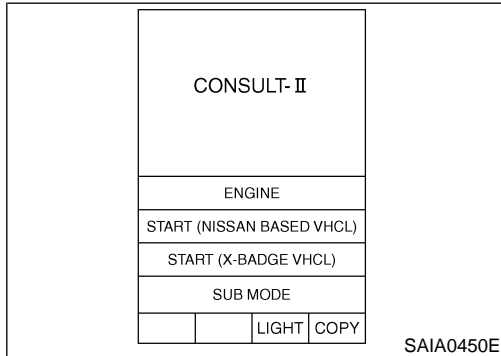
NATF0012S0101

1. Turn ignition switch to "OFF" position.

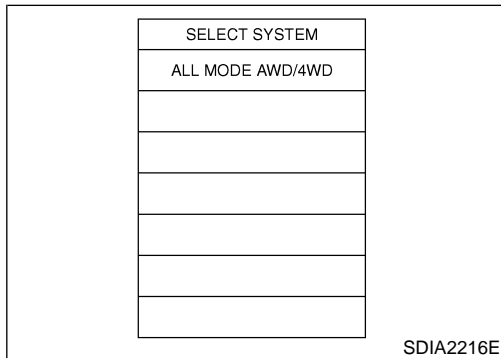
Trouble Diagnosis with CONSULT-II (Cont'd)



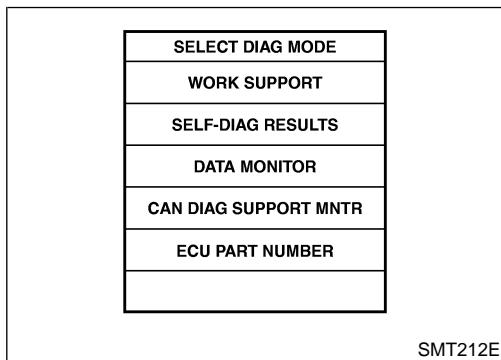
2. Connect CONSULT-II and CONSULT-II CONVERTER to data link connector which is located in instrument lower panel on driver side.



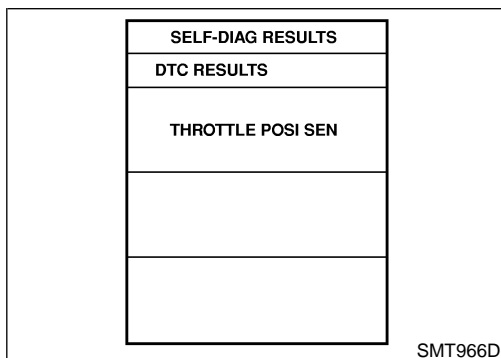
3. Start engine.
4. On CONSULT-II screen, touch "START (NISSAN BASED VHCL)".



5. Touch "ALL MODE AWD/4WD" on SELECT SYSTEM screen.



6. Touch "SELF-DIAG RESULTS" on SELECT DIAG MODE screen.



7. Self-diagnostic results are displayed.

ON BOARD DIAGNOSTIC SYSTEM DESCRIPTION

ATX14A

Trouble Diagnosis with CONSULT-II (Cont'd)

SELF-DIAGNOSTIC ITEMS

NATF0012S02

Detected items (Screen terms for CONSULT-II, "SELF-DIAG RESULT" mode)	Malfunction is detected when...	Check items
Revolution sensor (front) (Note 3) (VHCL SPEED SEN-FR)	<ul style="list-style-type: none"> Front revolution sensor (installed on T/F) signal is not input due to open circuit. Improper signal is input while driving. 	Revolution sensor (front) circuit, TF-98.
Revolution sensor (rear) (VHCL SPEED SEN-RR)	<ul style="list-style-type: none"> Signal from vehicle speed sensor 1 (installed on A/T) is not input due to open circuit. Improper signal is input while driving. 	Revolution sensor (rear) [Refer to AT-117, "DTC P0720 Vehicle Speed Sensor-A/T (Revolution sensor)".]
4WD solenoid valve (DUTY SOLENOID)	<ul style="list-style-type: none"> Proper voltage is not applied to solenoid valve due to open or short circuit. 	4WD solenoid valve, TF-101.
2-4WD shift solenoid valve (2-4WD SOLENOID)		2-4WD shift solenoid valve or 4WD shift switch circuit, TF-103.
Transfer motor relay (MOTOR RELAY)	<ul style="list-style-type: none"> Motor does not operate properly due to open or short circuit in transfer motor or motor relay. 	Transfer motor relay circuit, TF-107.
Transfer fluid temperature sensor (FLUID TEMP SENSOR)	<ul style="list-style-type: none"> Signal voltage from fluid temperature sensor is abnormally high (T/F fluid temperature is abnormally low) while driving. 	Transfer fluid temperature sensor circuit, TF-110.
Neutral-4LO switch (N POSI SW TF)	<ul style="list-style-type: none"> Improper signal is input while driving. 	Neutral-4LO switch, TF-113.
Clutch pressure (CLUTCH PRESSURE)	<ul style="list-style-type: none"> Improper signal is input due to open or short circuit. Malfunction occurs in clutch pressure hydraulic circuit. 	Clutch pressure switch circuit (*1), TF-117.
Line pressure (LINE PRESSURE)	<ul style="list-style-type: none"> Improper signal is input due to open or short circuit. Malfunction occurs in line pressure hydraulic circuit. 	Line pressure switch circuit (*1), TF-120.
Engine speed signal (Note 1) (ENGINE SPEED SIG)	<ul style="list-style-type: none"> Engine speed is abnormally low while driving. 	Engine speed signal (Refer to AT-122, "DTC P0725 Engine Speed Signal".)
Throttle position sensor (THRTL POSI SEN)	<ul style="list-style-type: none"> Signal voltage from throttle position sensor is abnormally high. Signal voltage from throttle position sensor is abnormally low when closed throttle position switch is OFF. 	Throttle position sensor (Refer to AT-182, "DTC P1705 Throttle Position Sensor".)
Transfer control unit (ADC) C/U (ADC)/THRTL SEN	<ul style="list-style-type: none"> Power supply voltage for throttle position sensor is improper or A/D converter system of transfer control unit is malfunctioning. 	Throttle position sensor (Refer to AT-182, "DTC P1705 Throttle Position Sensor".)
Battery voltage (Note 1) (BATTERY VOLTAGE)	<ul style="list-style-type: none"> Power supply voltage for transfer control unit is abnormally low while driving. 	Power supply circuit (Refer to AT-102, "Wiring Diagram — AT — MAIN".)
4WD shift switch (4WD MODE SW)	<ul style="list-style-type: none"> More than two switch inputs are simultaneously detected due to short circuit of 4WD shift switch. 	4WD shift switch circuit, TF-103.
ABS operation signal (Note 4) (ABS OPER SIGNAL)	<ul style="list-style-type: none"> When a malfunction signal due to disconnection or shorting is detected. When a defect signal is entered from the ABS control unit. 	ABS operation signal circuit, TF-123.
Wait detection switch (Note 2) (WAIT DETECT SWITCH)	<ul style="list-style-type: none"> Improper signal is input due to open or short circuit. 	ATP switch, wait detection switch and neutral-4LO switch circuits (*2), TF-113.
Shift actuator abnormal (SHIFT ACT)	Transfer control device actuator motor is malfunctioning. (Malfunctions are detected when actuator motor fails to operate while shifting from "4H" to "4LO" or vice versa.)	Actuator motor and motor circuit, TF-152, 126.

GI
MA
EM
LC
EC
FE
CL
MT
AT
TF
PD
AX
SU
BR
ST
RS
BT
HA
SC
EL
IDX

Detected items (Screen terms for CONSULT-II, "SELF-DIAG RESULT" mode)	Malfunction is detected when...	Check items
Shift actuator position switch abnormal (SHIFT ACT P/S)	Transfer control device actuator motor arm position sensing switch is malfunctioning.	Actuator motor arm position sensing switch and sensing switch circuit, TF-152, 129.
Shift actuator circuit abnormal (SHIFT ACT CIR)	Transfer control device actuator circuit is shorted or open. (Malfunctions are detected when motor relay circuit is open/shorted or relay monitor circuit is open/shorted.)	Actuator motor, actuator motor arm position sensing switch and their associated circuits, TF-151, 152 and 131.
Memory power supply stop	<ul style="list-style-type: none"> ● Due to removal of battery which cuts off power supply to transfer control unit, self-diagnosis memory function is suspended. 	Data erase/display circuit, TF-125.
Transfer control unit (RAM) [CONTROL UNIT (RAM)]	<ul style="list-style-type: none"> ● Malfunction is detected in the memory (RAM) system of transfer control unit. 	
Transfer control unit (ROM) [CONTROL UNIT (ROM)]	<ul style="list-style-type: none"> ● Malfunction is detected in the memory (ROM) system of transfer control unit. 	
Transfer control unit (EEPROM) [CONTROL UNIT (EEPROM)]	<ul style="list-style-type: none"> ● Malfunction is detected in the memory (EEPROM) system of transfer control unit. 	
Longitudinal G-sensor	Displayed, but do not use.	
ABS VHL SPD SEN	<ul style="list-style-type: none"> ● ABS vehicle speed sensor signal is not input due to an open circuit. ● An unexpected signal is input when vehicle is being driven. 	Refer to ABS vehicle speed sensor diagnosis.
STEERING ANGLE SENSOR	Displayed, but do not use.	
VDC OPER SIG	If VDC operation signal is being input because of VDC malfunction or communication error between the vehicles	Refer to VDC C/U diagnosis.
TCS OPER SIG	If TCS operation signal is being input because of TCS malfunction or communication error between the vehicles	Refer to VDC C/U diagnosis.
CAN COMM	Malfunction is detected in CAN communication.	CAN communication circuit
A/T POSITION SIGNAL	When AT PNP switch circuit is malfunction or communication error between the vehicles	Refer to AT PNP switch circuit diagnosis.

Note 1: When a malfunction occurs, it is only displayed and not stored in the memory.

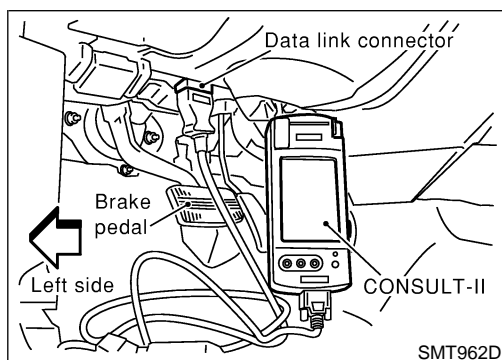
Note 2: When the wait detection switch has been properly fixed, malfunction information is erased from the memory.

Note 3: If 4WD shift switch is left between 4H and 4LO for a while, this indication may be displayed.

(*1): If the malfunction is detected only while driving in reverse, check the continuity of "R" position on A/T PNP switch. When there is nothing wrong with the electrical system, check the hydraulic system.

(*2): If a revolution sensor malfunction is detected at the same time, check the revolution sensor circuit first.

Note 4: When this malfunction is detected with the ABS warning lamp off, first check for disconnection or shorting in the harness between the transfer control unit and the ABS control unit.

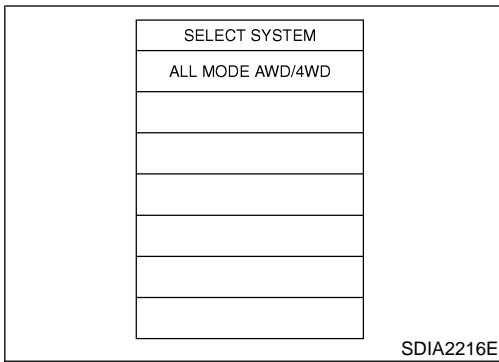


DATA MONITOR CONSULT-II Setting Procedure

NATF0012S03

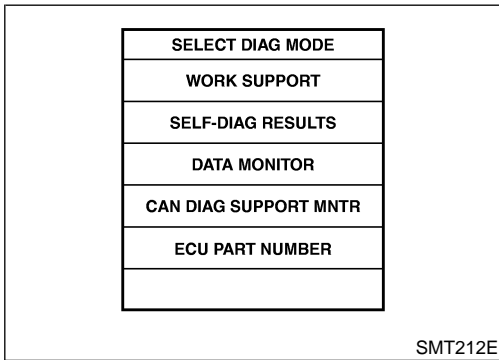
NATF0012S0301

1. Turn ignition switch to "OFF" position.
2. Connect CONSULT-II and CONSULT-II CONVERTER to data link connector, which is located in instrument lower panel on driver side.
3. Turn ignition switch to "ON" position.
4. Touch "START".



5. Touch "ALL MODE AWD/4WD".

GI



6. Touch "DATA MONITOR".

MA

EM

LC

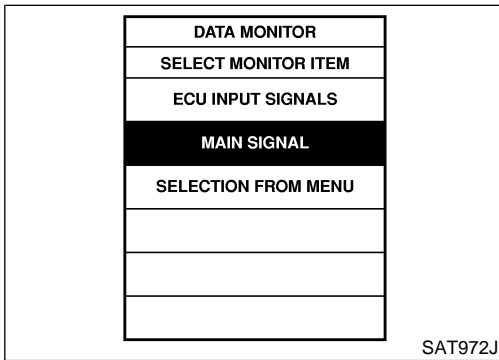
EC

FE

CL

MT

AT



7. Touch "ECU INPUT SIGNALS" or "MAIN SIGNALS".

8. Select "Numerical Display", "Bar Chart Display" or "Line Graph Display".

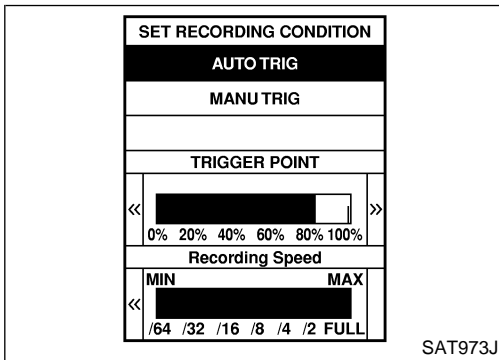
9. Touch "SETTING" to set record conditions.

TF

PD

AX

SU



10. Touch "AUTO TRIG" or "MANU TRIG".

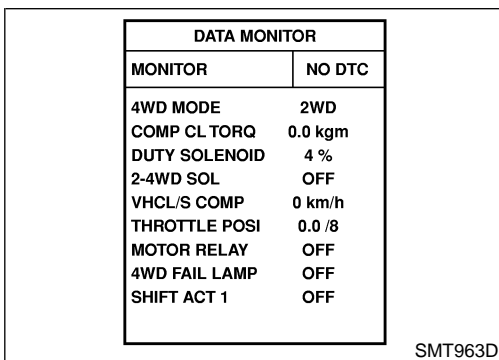
11. Return to "SELECT MONITOR ITEM" on "DATA MONITOR" screen and touch "START".

BR

ST

RS

BT



12. Monitored data are displayed.

HA

SC

EL

IDX

ON BOARD DIAGNOSTIC SYSTEM DESCRIPTION

ATX14A

Trouble Diagnosis with CONSULT-II (Cont'd)

DATA MONITOR ITEMS

NATF0012S04
○: Standard ▼: Option

Item [Unit]	Monitor item			Remarks
	ECU input signals	Main signals	Item menu selection	
Revolution sensor-front [km/h (MPH)]	○		▼	Revolution sensor installed on T/F
Revolution sensor-rear [km/h (MPH)]	○		▼	Vehicle speed sensor-A/T
Engine speed [rpm]	○		▼	
Throttle position sensor [V]	○		▼	
Transfer fluid temperature sensor [V]	○		▼	
Battery voltage [V]	○		▼	
2WD switch [ON-OFF]	○		▼	2WD switch of 4WD shift switch
AUTO switch [ON-OFF]	○		▼	AUTO switch of 4WD shift switch
Lock switch [ON-OFF]	○		▼	4H switch of 4WD shift switch
4L switch [ON-OFF]	○		▼	4LO switch of 4WD shift switch
N position switch TF [ON-OFF]	○		▼	N position switch of transfer
Line pressure switch [ON-OFF]	○		▼	Line pressure switch
Clutch pressure switch [ON-OFF]	○		▼	Clutch pressure switch
ATP switch [ON-OFF]	○		▼	
N position switch [ON-OFF]	○		▼	"N" position on A/T PNP switch
R position switch [ON-OFF]	○		▼	"R" position on A/T PNP switch
P position switch [ON-OFF]	○		▼	"P" position on A/T PNP switch
Closed throttle position switch [ON/OFF]	○		▼	Displayed, but do not use.
ABS operation switch [ON-OFF]	○		▼	ABS operation switch
Wait detection switch [ON-OFF]	○		▼	
Throttle opening		○	▼	Throttle opening recognized by transfer control unit
4WD-mode		○	▼	4WD-mode recognized by transfer control unit (2WD, AUTO, 4H & 4LO)
Vehicle speed comp [km/h (MPH)]		○	▼	Vehicle speed recognized by transfer control unit
*Control torque [N·m (kg·m, ft·lb)]		○	▼	Calculated torque recognized by transfer control unit
Duty solenoid valve [%] (Transfer 4WD solenoid valve)		○	▼	
2-4WD shift solenoid valve [ON-OFF]		○	▼	Control signal outputs of transfer control unit
Transfer motor relay [ON-OFF]		○	▼	
Shift activating 1 [ON-OFF]		○	▼	
Shift activating 2 [ON-OFF]		○	▼	

ON BOARD DIAGNOSTIC SYSTEM DESCRIPTION

ATX14A
Trouble Diagnosis with CONSULT-II (Cont'd)

Item [Unit]	Monitor item			Remarks	
	ECU input signals	Main signals	Item menu selection		
2-4WD shift solenoid valve monitor [ON-OFF]			▼	Check signal (re-input signal) of transfer control unit control signal output is displayed. If circuit is shorted or open, ON/OFF state does not change.	GI
Transfer motor relay monitor [ON-OFF]			▼		MA
Shift activating monitor 1 [ON-OFF]			▼		EM
Shift activating monitor 2 [ON-OFF]			▼		LC
4WD fail lamp [ON-OFF]		○	▼	Transfer control unit control signal output for 4WD warning lamp (left)	EC
Shift position switch 1 [ON-OFF]	○		▼		FE
Shift position switch 2 [ON-OFF]	○		▼		FE
2WD indicator lamp [ON-OFF]			▼	Transfer control unit control signal output for 4WD shift indicator lamp (rear)	CL
AUTO indicator lamp [ON-OFF]			▼	Transfer control unit control signal output for 4WD shift indicator lamp (front & rear)	MT
LOCK indicator lamp [ON-OFF]			▼	Transfer control unit control signal output for 4WD shift indicator lamp (center)	AT
4LO indicator lamp [ON-OFF]			▼	Transfer control unit control signal output for 4WD shift indicator lamp (right)	AT
Offset at starting			▼	Appears on monitor but does not function.	TF
Clutch limit [N·m (kg·m, ft·lb)]			▼	Clutch force release limit value set in WORK SUPPORT	PD
Voltage [V]			▼	Value measured by voltage probe is displayed.	
Frequency [Hz]			▼	Value measured by pulse probe is displayed. If measurement is impossible, “#” sign is displayed. “#” sign is also displayed at the final data value until the measurement result is obtained.	AX SU
DUTY-HI			▼	Duty cycle value for measurement probe is displayed.	BR
DUTY-LOW			▼		
PLS WIDTH-HI			▼	Measured pulse width of measurement probe is displayed.	ST
PLS WIDTH-LOW			▼		
VHCL SPEED SEN-FR [km/h]	○		▼	Indicates average vehicle speed of ABS front left/right wheel.	RS
VHCL SPEED SEN-RR [km/h]	○		▼	Indicates average vehicle speed of ABS rear left/right wheel.	BT
LONGITUDINAL G-SENSOR [G]	○		▼	Displayed, but do not use.	
TF VHCL SPD-FR [km/h]	○		▼	Displayed, but do not use.	HA
AT VHCL SPD-RR	○		▼	Indicates A/T rear vehicle speed.	
A/T actual gear position	○		▼	Indicates A/T actual gear position.	SC
VDC OPER SIG [ON-OFF]	○		▼	Indicates VDC operation switch.	EL
TCS OPER SIG [ON-OFF]	○		▼	Indicates TCS operation switch.	EL
ATP LAMP [ON-OFF]			▼	Indicates C/U control signal output of ATP lamp.	IDX

ON BOARD DIAGNOSTIC SYSTEM DESCRIPTION

ATX14A

Trouble Diagnosis with CONSULT-II (Cont'd)

Item [Unit]	Monitor item			Remarks
	ECU input signals	Main signals	Item menu selection	
CAN COMM				Condition of CAN communication (ON/OFF) is displayed.
CAN CIRC 1				Condition of CAN communication (ON/UNKWN) is displayed.
CAN CIRC 2				Condition of CAN communication (ON/UNKWN) is displayed.
CAN CIRC 3				Condition of CAN communication (ON/UNKWN) is displayed.
CAN CIRC 4				Condition of CAN communication (ON/UNKWN) is displayed.
CAN CIRC 5				Condition of CAN communication (ON/UNKWN) is displayed.

*: This item is indicated as "COMP CL TORQ".

REFERENCE VALUE IN DATA MONITOR MODE

NATF0012S09

Indicated items (Screen terms for CONSULT-II, "DATA MONITOR" mode)	Display	Conditions		
Throttle position sensor (THRTL POS SEN)	Approx. 0.5 - 4.0V	Throttle valve fully closed to fully open		
Transfer fluid temperature sensor (FLUID TEMP SE)	Approx. 1.5 - 0.5V	Transfer fluid temperature approx. 20 - 80°C (68 - 176°F)		
Closed throttle position switch (CLOSED THL/SW) (Without VDC)	OFF	Displayed, but do not use.		
ABS operation switch (ABS OPER SW)	OFF	ABS is not operating.		
	ON	ABS is operating.		
2WD position (2WD SW)	ON	4WD shift switch is in "2WD".		
	OFF	Except the above condition		
Lock position (LOCK SWITCH)	ON	4WD shift switch is in "4H".		
	OFF	Except the above condition		
Neutral-4LO switch (N POSI SW TF) ATP switch (ATP SWITCH) Wait detection switch (WAIT DETCT SW)	4WD shift switch position	2WD, AUTO, 4H	(N)	4LO
	ATP switch	OFF	ON	OFF
	Neutral-4LO switch	OFF		ON
	Wait detection switch	OFF		ON
	See Note.			
Note: When shifting from "4LO" to "2WD", "AUTO", "4H", it turns ON when "Wait" function is operating (and it turns OFF when "Wait" function is canceled).				

ON BOARD DIAGNOSTIC SYSTEM DESCRIPTION

ATX14A

Trouble Diagnosis with CONSULT-II (Cont'd)

Indicated items (Screen terms for CONSULT-II, "DATA MONITOR" mode)	Display		Conditions		
Transfer motor relay (MOTOR RELAY)	Throttle valve	4WD shift switch	A/T selector lever	Motor relay	Remarks
	Fully closed	2WD	—	OFF	ON for approx. 2 sec. after shifting to "P" and "N"
		AUTO, 4LO	P, N	OFF	
			Others	ON	
		4H	P	OFF	ON for approx. 2 sec. after shifting to "P"
	Others		ON		
Line pressure switch (LINE PRES SW)	OFF		The vehicle has been left at room temperature for 5 minutes and more with ignition switch in "OFF" position.		
	ON		Ignition switch in "ON", and 4WD shift switch in "AUTO" or "4H" and A/T selector lever in "D".		
Clutch pressure switch (CL PRES SW)	OFF		Ignition switch in "ON", and 4WD shift switch in "2WD". ("Wait" function is not operating.)		
	ON		Ignition switch in "ON", and 4WD shift switch in "AUTO" or "4H" and A/T selector lever in "D". ("Wait" function is not operating.)		
Control torque (COMP CL TORQ)	0 kg-m		4WD shift switch (“Wait” function is not operating.)	In "2WD" position	
	39 - 1,079 N·m (4 - 110 kg-m, 29 - 796 ft-lb)			In "AUTO" position	
	1,079 N·m (110 kg-m, 796 ft-lb)			In "4H" or "4LO" position	
4WD solenoid (DUTY SOLENOID)	4%		4WD shift switch	In "2WD" position	
	94 - 4%			In "AUTO" position	
	4%			In "4H" or "4LO" position	
2-4WD shift solenoid valve (2-4WD SOL)	OFF		4WD shift switch	In "2WD" position	
	ON ("Wait" function is not operating.)			In "AUTO" position	
	OFF ("Wait" function is operating.)				
	ON ("Wait" function is not operating.)			In "4H" position	
	OFF ("Wait" function is operating.)				
	ON			In "4LO" position	

GI
 MA
 EM
 LC
 EC
 FE
 CL
 MT
 AT
TF
 PD
 AX
 SU
 BR
 ST
 RS
 BT
 HA
 SC
 EL
 IDX

ON BOARD DIAGNOSTIC SYSTEM DESCRIPTION

ATX14A

Trouble Diagnosis with CONSULT-II (Cont'd)

Indicated items (Screen terms for CONSULT-II, "DATA MONITOR" mode)	Display	Conditions	
Battery voltage	Approx. 12V	Key switch "ON" and engine at rest	
	Approx. 13 - 14V	During idling	
AUTO switch	OFF	4WD shift switch in other than "AUTO" position	
	ON	4WD shift switch in "AUTO" position	
4L switch	OFF	4WD shift switch in other than "4LO" position	
	ON	4WD shift switch in "4LO" position	
N position switch	OFF	A/T selector lever in other than "N" position	
	ON	A/T selector lever in "N" position	
R position switch	OFF	A/T selector lever in other than "R" position	
	ON	A/T selector lever in "R" position	
P position switch	OFF	A/T selector lever in other than "P" position	
	ON	A/T selector lever in "P" position	
Throttle opening	0.0/8 - 8.0/8	Throttle fully closed (0.0/8) or throttle fully open (8.0/8)	
4WD-mode	2WD	4WD shift switch	In "2WD" position
	AUTO		In "AUTO" position
	LOCK		In "4H" position
	4L		In "4LO" position
Front wheel speed	0 - 255 km/h (0 - 158 MPH)	0 km/h (vehicle at standstill)	
Rear wheel speed	0 - 255 km/h (0 - 158 MPH)	0 km/h (vehicle at standstill)	
Shift ACTR operating 1, Shift activating monitor 1	OFF	During normal operation	
	ON	During shifts from "4H" to "4LO" position	
Shift ACTR operating 2, Shift activating monitor 2	OFF	During normal operation	
	ON	During shifts from "4LO" to "4H" position	
4WD fail lamp	OFF	During normal operation	
	ON	During 2-second period (after key switch turned to "ON") or when system is out of order	
Shift ACTR position sensing switch 1	OFF	4WD shift switch is in a position other than "4LO".	
	ON	4WD shift switch in "4LO" position	
Shift ACTR position sensing switch 2	OFF	4WD shift switch in "4LO" position	
	ON	4WD shift switch is in a position other than "4LO".	
2WD indicator lamp	OFF	Engine at rest or system out of order	
	ON	Except the above condition	
AUTO indicator lamp	OFF	Engine at rest during 2WD-mode operation or system out of order	
	ON	4WD shift switch in "4LO" or "4H" or "AUTO" position	
LOCK indicator lamp	OFF	Engine at rest and 4WD shift switch in "AUTO" position during 2WD-mode operation or system out of order	
	ON	4WD shift switch in "4H" or "4LO" position	

Indicated items (Screen terms for CONSULT-II, "DATA MONITOR" mode)	Display	Conditions
4LO indicator lamp	OFF	Engine at rest and 4WD shift switch in "AUTO" position during 2WD-mode operation or system out of order
	ON	4WD shift switch in "4LO" position
VDC operation switch (VDC OPER SW)	OFF	VDC is not operating.
	ON	VDC is operating.
TCS operation switch (TCS OPER SW)	OFF	TCS is not operating.
	ON	TCS is operating.

WORK SUPPORT

Purpose

NATF0012S06

When there is no problem with transfer and 4WD system, following symptoms in "AUTO" mode may be claimed by a customer.

NATF0012S0601

- Tight corner braking symptom after accelerator (throttle) opening (Note 1)
- Vibration when accelerating on a low μ road (snow-covered or icy road) (Note 2)

It is possible to deal with these symptoms by changing "CLUTCH FORCE RELEASE LIMIT VALUE". However, be careful when changing the values because it may adversely affect driving performance.

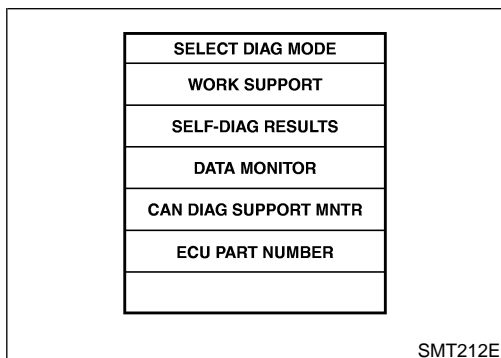
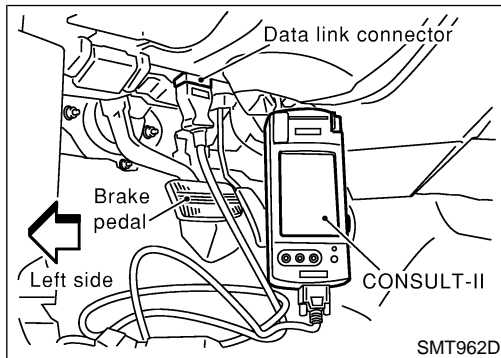
NOTE:

- 1) When the accelerator is slightly open (approx. 1/8) or fully closed after being opened. The tight corner braking symptom during idle creep driving with accelerator fully closed cannot be solved by this method. Refer to SYMPTOM 8, TF-145.
- 2) A slight shock is felt at a few hertz as if it were being pushed lightly from behind.

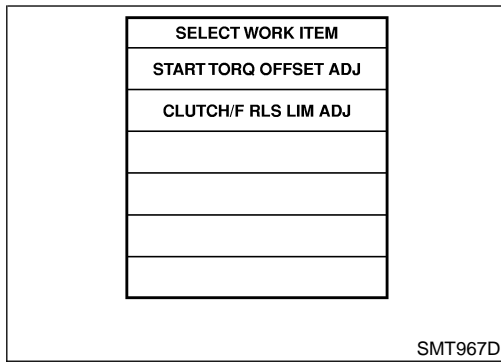
CONSULT-II Setting Procedure

NATF0012S0602

1. Turn ignition switch to "OFF" position.
2. Connect CONSULT-II and CONSULT-II CONVERTER to data link connector, which is located in instrument lower panel on driver side.
3. Turn ignition switch to "ON" position.
4. Touch "START".
5. Touch "ALL MODE 4WD".
6. Touch "WORK SUPPORT".



GI
MA
EM
LC
EC
FE
CL
MT
AT
TF
PD
AX
SU
BR
ST
RS
BT
HA
SC
EL
IDX



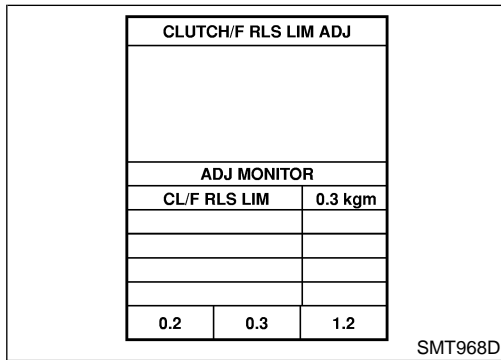
7. Select WORK ITEM by touching “CLUTCH/F RLS LIM ADJ”.
- NOTE:**
 “START TORQ OFFSET ADJ” is displayed, but the transfer does not have this function.

CLUTCH FORCE RELEASE LIMIT ADJUSTMENT

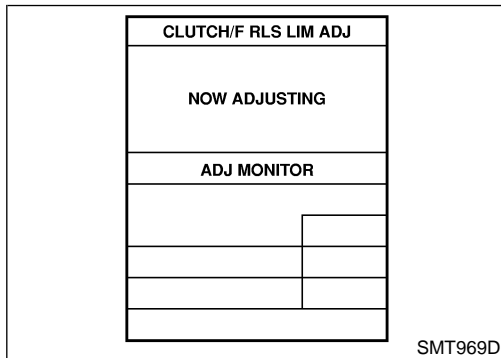
1.2 kg-m: Tight corner braking symptom is alleviated. However, vibration may occur when accelerating on a low μ road (icy road, etc.).

0.3 kg-m: Initial set value

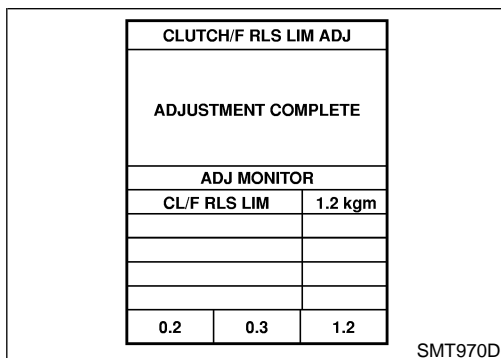
0.2 kg-m: Do not set to this value because the tight corner braking symptom will get worse.



1. Current CLUTCH FORCE RELEASE LIMIT value “0.3 kg-m” appears under “CONDITION SETTING” on CONSULT-II display.
2. Touch “1.2” on the display.



3. Display changes to “NOW ADJUSTING” in a short time.



4. When clutch force release limit value is set to “1.2 kg-m”, current value “0.3 kg-m” shown on display will be replaced by “1.2 kg-m” and “ADJUSTING COMPLETE” will appear at the same time. Clutch force release limit value setting is now complete.

Introduction

NATF0013
NATF0013S01

DESCRIPTION

When a malfunction (indicated by the 4WD warning lamp illumination) occurs, collect information first from the customer about how the malfunction occurs. Then, proceed with the diagnosis presuming it is the cause. Also inspect the electrical system, paying close attention to other possibilities such as fluid level and leaks.

All-mode 4WD transfer is controlled by transfer control unit and sensors.

If a malfunction occurs in the all-mode 4WD system, the 4WD warning lamp lights up to inform of the system malfunction. There are two ways to identify the cause of the malfunction.

- 1) Performing the self-diagnosis. (The 4WD warning lamp will indicate what kind of malfunction has occurred by flickering.)
- 2) Performing diagnosis using CONSULT-II.

DIAGNOSTIC WORKSHEET

Information from Customer

NATF0013S02

KEY POINTS

WHAT Vehicle model

WHEN..... Date, Frequencies

WHERE..... Road conditions

HOW..... Operating conditions, Symptoms

NATF0013S0201

Information sheet from customer

Customer name MR/MS	Model & Year	VIN
Transfer model ATX14A	Engine	Mileage
Incident Date	Manuf. Date	In Service Date
Frequency	<input type="checkbox"/> Continuous <input type="checkbox"/> Intermittent (times a day)	
Symptoms	<input type="checkbox"/> 4WD shift indicator lamp does not turn on.	
	<input type="checkbox"/> 4WD warning lamp does not turn on.	
	<input type="checkbox"/> 4WD shift indicator lamp does not turn off.	
	<input type="checkbox"/> ATP warning lamp does not turn on.	
	<input type="checkbox"/> 4LO indicator lamp does not turn on.	
	<input type="checkbox"/> 4WD shift indicator lamp does not indicate "4H".	
	<input type="checkbox"/> 4WD shift indicator lamp repeats flicking.	
	<input type="checkbox"/> Tight corner braking symptom occurs.	
	<input type="checkbox"/> 4WD system does not operate.	
<input type="checkbox"/> Others.		
4WD warning lamp	<input type="checkbox"/> Continuously lit	<input type="checkbox"/> Not lit

GI
 MA
 EM
 LC
 EC
 FE
 CL
 MT
 AT
TF
 PD
 AX
 SU
 BR
 ST
 RS
 BT
 HA
 SC
 EL
 IDX

Introduction (Cont'd)

Diagnostic Worksheet

NATF0013S0202

1.	<input type="checkbox"/> Listen to customer complaints.	TF-80
2.	<input type="checkbox"/> Check transfer fluid.	TF-80
	<input type="checkbox"/> Leakage <input type="checkbox"/> Fluid condition <input type="checkbox"/> Fluid level	
3.	<input type="checkbox"/> Road testing	TF-80
	<input type="checkbox"/> 1. Check before engine is started. <input type="checkbox"/> 2. Check at idle. <input type="checkbox"/> 3. Cruise test	
4.	<input type="checkbox"/> Perform self-diagnosis NG items (with CONSULT-II and without CONSULT-II).	TF-65, TF-62
5.	<input type="checkbox"/> Check component. Repair or replace the damaged parts.	TF-148
6.	<input type="checkbox"/> Perform final check. Perform road test (1 through 3).	TF-80

Work Flow

=NATF0014

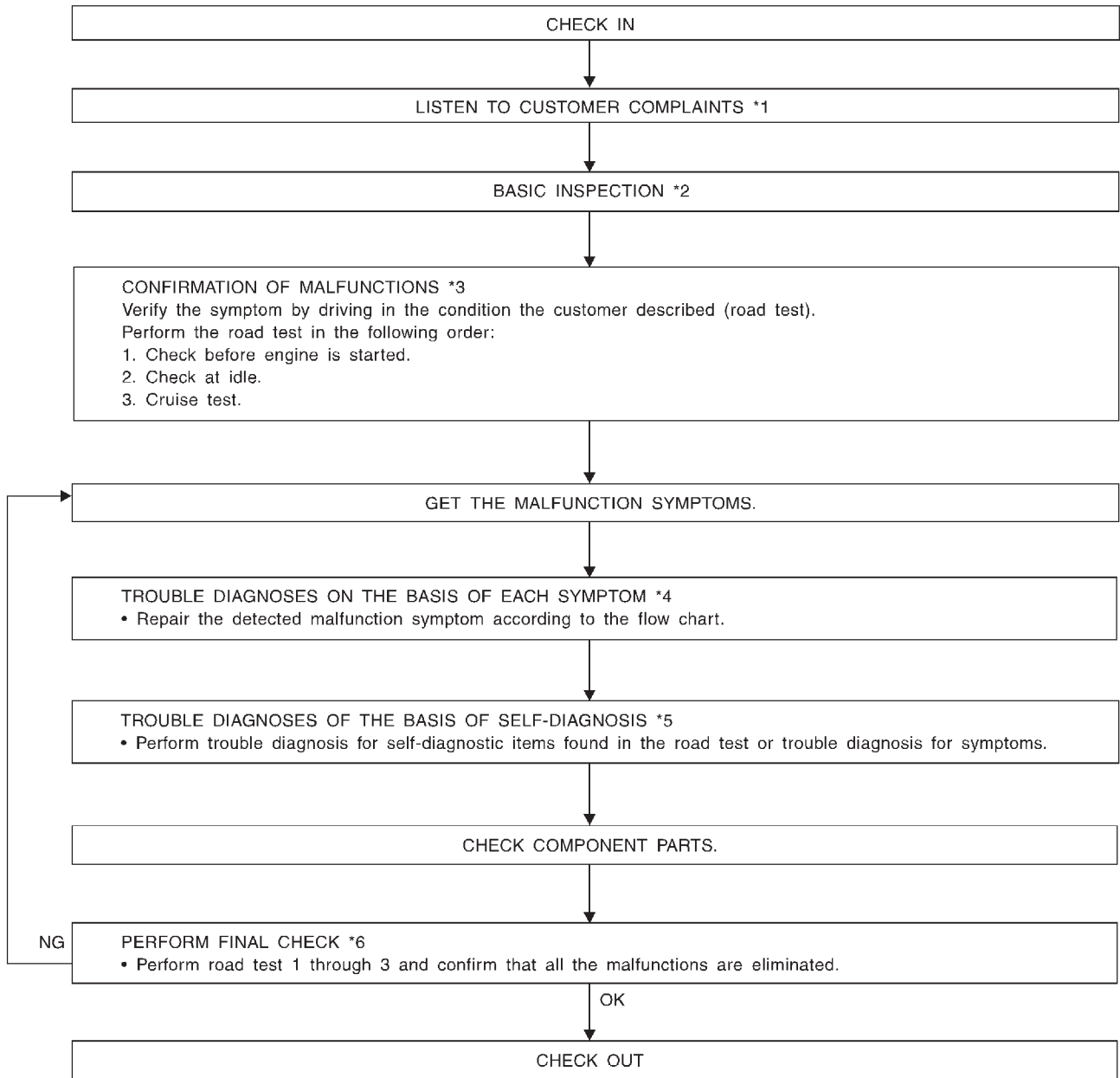
HOW TO PERFORM TROUBLE DIAGNOSES FOR QUICK AND ACCURATE REPAIR

NATF0014S01

A good understanding of the malfunction conditions can make troubleshooting faster and more accurate. In general, each customer feels differently about a problem. It is important to fully understand the symptoms or conditions for a customer complaint.

Make good use of the two sheets provided, "Information from Customer" (Refer to TF-77.) and "Diagnostic Worksheet" (Refer to TF-78.), to perform the best troubleshooting possible.

GI
MA
EM
LC
EC
FE
CL
MT
AT
TF
PD
AX
SU
BR
ST
RS
BT
HA
SC
EL
IDX



MTF013A

*1: TF-80
*2: TF-80

*3: TF-80
*4: TF-135 - TF-146

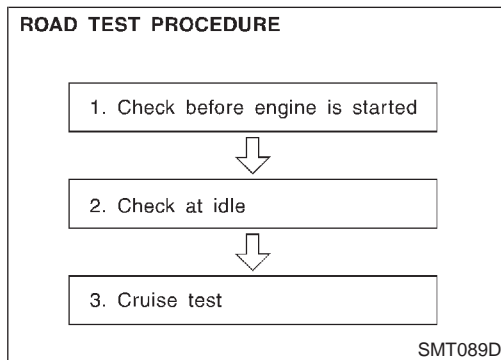
*5: TF-98 - TF-131
*6: TF-80

Listen to Customer Complaints

- Each customer feels differently about a problem. It is important to fully understand the symptoms or conditions for a customer complaint. NATF0015
- Listen to the customer about how and when the malfunction occurs, and make good use of it when performing the road test.

Transfer Fluid Check

- Check fluid for leaks and fluid level. Refer to MA-24, "Checking All-mode 4WD Transfer Fluid". NATF0016



Road Test

PREPARATION FOR ROAD TEST

- The purpose of the test is to determine overall performance of transfer and analyze causes of problems. NATF0017
- The road test consists of the following three parts: NATF0017S01
- When a malfunction is found in any part of transfer, perform the road test to locate the malfunction area and repair the malfunction parts.
 1. Check before engine is started
 2. Check at idle
 3. Cruise test
- Perform road test and place checks for NG items on the diagnostic worksheet. Refer to TF-78.

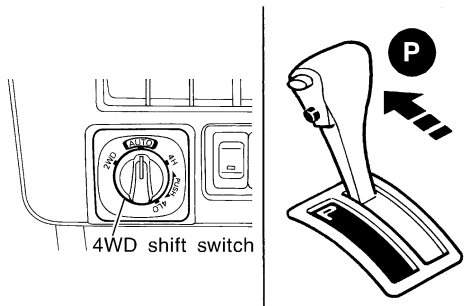
1. CHECK BEFORE ENGINE IS STARTED

=NATF0017S02

GI
MA
EM
LC
EC
FE
CL
MT
AT
TF
PD
AX
SU
BR
ST
RS
BT
HA
SC
EL
IDX

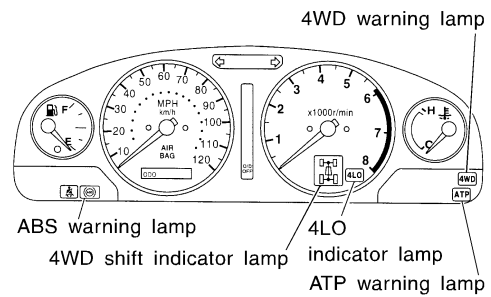
1 CHECK 4WD SHIFT INDICATOR LAMP

1. Park vehicle on flat surface.
2. Turn ignition switch to "OFF" position.
3. Move A/T selector lever to "P" position.
4. Set 4WD shift switch to "4H" position.



SMT849D

5. Set 4WD shift switch to "2WD" position.
6. Turn ignition switch to "ON" position. (Do not start engine.)
7. Does 4WD shift indicator lamp turn ON for approx. 1 second?



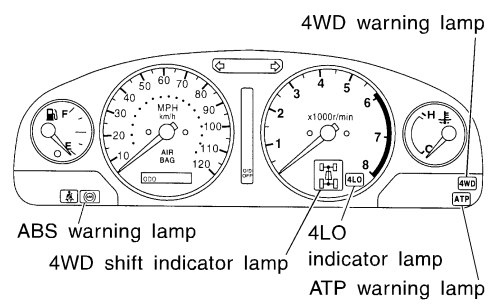
SMT994D

Yes or No

Yes	▶	GO TO 2.
No	▶	Go to Symptom 1. Refer to TF-135.

2 CHECK 4WD WARNING LAMP

Is 4WD warning lamp turned ON?



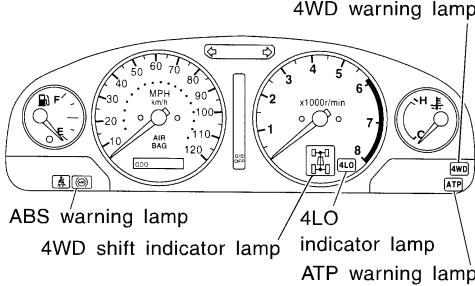
SMT994D

Yes or No

Yes	▶	<ol style="list-style-type: none"> 1. Turn ignition switch to "OFF" position. 2. Perform self-diagnosis. Refer to "Trouble Diagnosis without CONSULT-II", TF-62. 3. Go to "2. CHECK AT IDLE". Refer to TF-82.
No	▶	Go to Symptom 2. Refer to TF-137.

2. CHECK AT IDLE

=NATF0017S03

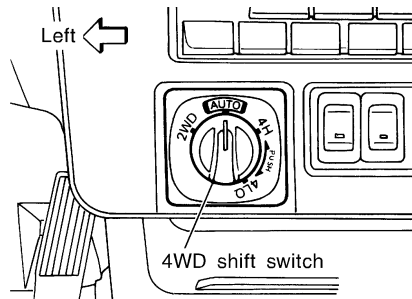
1	CHECK 4WD SHIFT INDICATOR LAMP	
<p>1. Park vehicle on flat surface. 2. Turn ignition switch to "OFF" position. 3. Move A/T selector lever to "P" or "N" position. 4. Set 4WD shift switch to "4H" position. 5. Set 4WD shift switch to "2WD" position. 6. Start engine. 7. Is 4WD shift indicator lamp turned OFF?</p>		
		
SMT994D		
Yes or No		
Yes	▶	Go to "ATP SWITCH, WAIT DETECTION SWITCH AND NEUTRAL-4LO SWITCH". Refer to TF-113.
No	▶	GO TO 2.

2	CHECK 4WD WARNING LAMP	
Is 4WD warning lamp turned OFF?		
Yes or No		
Yes	▶	GO TO 3.
No	▶	Perform self-diagnosis. Refer to "Trouble Diagnosis without CONSULT-II", TF-62.

GI
MA
EM
LC
EC
FE
CL
MT
AT
TF
PD
AX
SU
BR
ST
RS
BT
HA
SC
EL
IDX

3 CHECK 4WD SHIFT INDICATOR LAMP

1. Set 4WD shift switch to "2WD", "AUTO", "4H", "4LO", "4H" and "2WD" in order. (Stay at each switch position for at least 1 second.)
2. Does 4WD shift indicator lamp change properly and does buzzer sound?



SMT851D

4WD shift switch operation	4WD shift indicator lamp	4WD warning lamp	Buzzer sound
2WD		4WD OFF	
	↓		
AUTO		4WD OFF	
	↓		
4H		4WD OFF	
	↓		
4LO		4WD OFF	
	↓		
4H		4WD OFF	
	↓		
AUTO		4WD OFF	
	↓		
2WD		4WD OFF	

SMT971D

Yes or No

Yes	▶	GO TO 4.
No	▶	Go to "2-4WD SHIFT SOLENOID VALVE AND 4WD SHIFT SWITCH". Refer to TF-103.

4 CHECK 4WD WARNING LAMP

Is 4WD warning lamp turned ON?

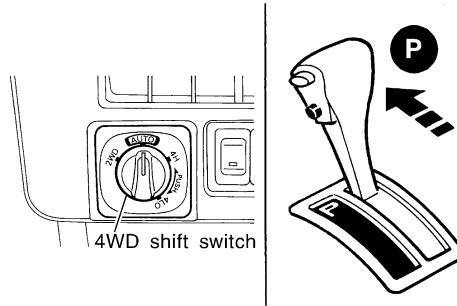
Yes or No

Yes	▶	Perform self-diagnosis. (Refer to "Trouble Diagnosis without CONSULT-II", TF-62.)
No	▶	GO TO 5.

Road Test (Cont'd)

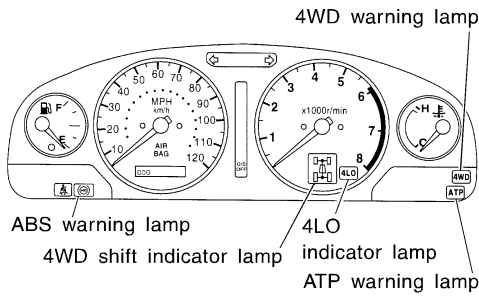
5 CHECK 4WD SHIFT INDICATOR LAMP

1. Move A/T selector lever to "P" position.
2. Set 4WD shift switch from "4H" to "4LO".



SMT849D

3. While shifting from "4H" to "4LO", does 4WD shift indicator lamp turn OFF and ATP warning lamp turn ON?



SMT994D

Yes or No

Yes	▶	GO TO 6.
No	▶	Go to Symptoms 3 and 4. Refer to TF-139.

GI
MA
EM
LC
EC
FE
CL
MT
AT
TF
PD
AX
SU
BR
ST
RS
BT
HA
SC
EL
IDX

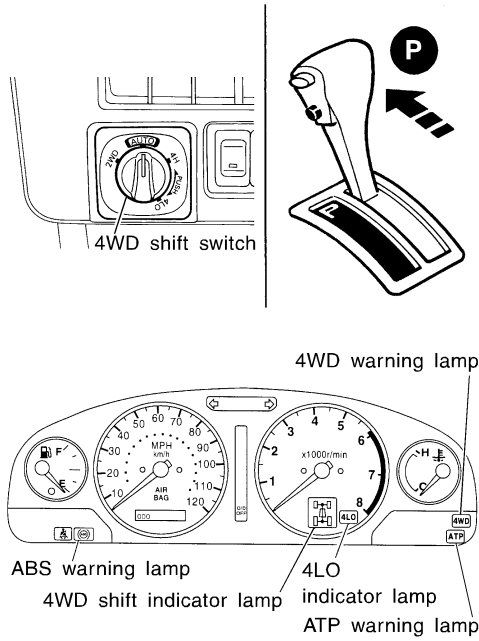
6	CHECK 4WD SHIFT INDICATOR LAMP							
Does 4WD shift indicator lamp indicate 4LO indicator lamp turn ON when 4WD shift switch is set in "4LO"?								
SMT849D								
<table border="1" style="margin: auto;"> <thead> <tr> <th style="padding: 5px;">4WD shift switch operation</th> <th style="padding: 5px;">4WD shift indicator lamp</th> <th style="padding: 5px;">4WD warning lamp</th> </tr> </thead> <tbody> <tr> <td style="text-align: center; padding: 5px;">4LO</td> <td style="text-align: center; padding: 5px;"> </td> <td style="text-align: center; padding: 5px;"> <div style="border: 1px solid black; padding: 2px; display: inline-block;">4WD OFF</div> </td> </tr> </tbody> </table>			4WD shift switch operation	4WD shift indicator lamp	4WD warning lamp	4LO		<div style="border: 1px solid black; padding: 2px; display: inline-block;">4WD OFF</div>
4WD shift switch operation	4WD shift indicator lamp	4WD warning lamp						
4LO		<div style="border: 1px solid black; padding: 2px; display: inline-block;">4WD OFF</div>						
SMT770D								
Yes or No								
Yes	▶	GO TO 7.						
No	▶	Go to Symptom 5. Refer to TF-141.						

7	CHECK 4WD SHIFT INDICATOR LAMP (*1)	
1. Set 4WD shift switch from "4LO" to "4H". 2. Does 4LO indicator lamp flicker? (*1) *1: While "Wait" function is operating, 4LO indicator lamp flashes.		
Yes or No		
Yes	▶	Go to Symptoms 6 and 7. Refer to TF-143 and TF-144.
No	▶	Go to "3. CRUISE TEST". Refer to TF-86.

3. CRUISE TEST

=NATF0017S04

1 INSPECTION START



SMT849D

SMT994D

WITH CONSULT-II	▶	GO TO 2.
WITHOUT CONSULT-II	▶	GO TO 3.

2	CHECK INPUT SIGNAL																						
<p>Ⓟ With CONSULT-II</p> <ol style="list-style-type: none"> 1. Warm up engine to normal operating temperature. 2. Park vehicle on flat surface. 3. Move A/T selector lever to "P" position. 4. Set 4WD shift switch to "4H" position. 5. Set 4WD shift switch to "AUTO" position. 6. Start engine. 7. Drive for at least 30 seconds at a speed higher than 20 km/h (12 MPH). (Drive vehicle until "FLUID TEMP SE" exceeds 0.9V.) 8. Park vehicle on flat surface. 9. Move A/T selector lever to "P" position. 10. Set 4WD shift switch to "2WD" position. 11. Leave vehicle for at least 80 seconds with "FLUID TEMP SE" at 0.9V or less. 																							
<table border="1" style="margin: auto; border-collapse: collapse;"> <thead> <tr> <th colspan="2">DATA MONITOR</th> </tr> <tr> <th>MONITOR</th> <th>NO DTC</th> </tr> </thead> <tbody> <tr> <td>VHCL/S SEN-FR</td> <td>0 km/h</td> </tr> <tr> <td>VHCL/S SEN-RR</td> <td>0 km/h</td> </tr> <tr> <td>ENGINE SPEED</td> <td>775 rpm</td> </tr> <tr> <td>THRTL POS SEN</td> <td>0.5 V</td> </tr> <tr> <td>FLUID TEMP SE</td> <td>0.86 V</td> </tr> <tr> <td>BATTERY VOLT</td> <td>14.1 V</td> </tr> <tr> <td>2WD SWITCH</td> <td>ON</td> </tr> <tr> <td>AUTO SWITCH</td> <td>OFF</td> </tr> <tr> <td>LOCK SWITCH</td> <td>OFF</td> </tr> </tbody> </table>		DATA MONITOR		MONITOR	NO DTC	VHCL/S SEN-FR	0 km/h	VHCL/S SEN-RR	0 km/h	ENGINE SPEED	775 rpm	THRTL POS SEN	0.5 V	FLUID TEMP SE	0.86 V	BATTERY VOLT	14.1 V	2WD SWITCH	ON	AUTO SWITCH	OFF	LOCK SWITCH	OFF
DATA MONITOR																							
MONITOR	NO DTC																						
VHCL/S SEN-FR	0 km/h																						
VHCL/S SEN-RR	0 km/h																						
ENGINE SPEED	775 rpm																						
THRTL POS SEN	0.5 V																						
FLUID TEMP SE	0.86 V																						
BATTERY VOLT	14.1 V																						
2WD SWITCH	ON																						
AUTO SWITCH	OFF																						
LOCK SWITCH	OFF																						
<p>12. Is 4WD warning lamp turned ON?</p> <p style="text-align: center;">Yes or No</p>																							
Yes	▶ Perform self-diagnosis. Refer to "Trouble Diagnosis with CONSULT-II", TF-65.																						
No	▶ GO TO 4.																						

SMT972D

3	CHECK INPUT SIGNAL
<p>ⓧ Without CONSULT-II</p> <ol style="list-style-type: none"> 1. Warm up engine to normal operating temperature. 2. Park vehicle on flat surface. 3. Move A/T selector lever to "P" position. 4. Set 4WD shift switch to "4H" position. 5. Set 4WD shift switch to "AUTO" position. 6. Start engine. 7. Drive vehicle for at least 30 seconds at a speed higher than 20 km/h (12 MPH). 8. Park vehicle on flat surface. 9. Move A/T selector lever to "P" position. 10. Set 4WD shift switch to "2WD" position. 11. Is 4WD warning lamp turned ON? 	
Yes or No	
Yes	▶ Perform self-diagnosis. Refer to "Trouble Diagnosis without CONSULT-II", TF-62.
No	▶ GO TO 4.

4	(1) CHECK TIGHT CORNER BRAKING SYMPTOM
<ol style="list-style-type: none"> 1. Set 4WD shift switch to "AUTO" position. 2. Drive vehicle at speed lower than 20 km/h (12 MPH) with steering wheel fully turned. 3. Does tight corner braking symptom occur? 	
Yes or No	
Yes	▶ GO TO 5.
No	▶ GO TO 6.

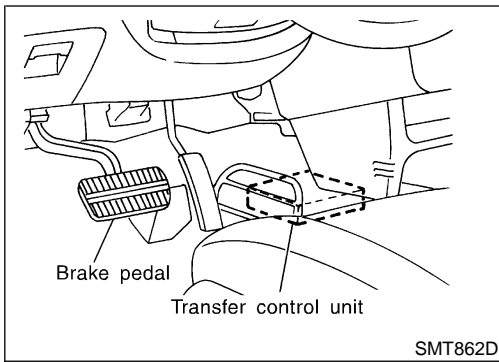
GI
MA
EM
LC
EC
FE
CL
MT
AT
TF
PD
AX
SU
BR
ST
RS
BT
HA
SC
EL
IDX

Road Test (Cont'd)

5	CONFIRM SYMPTOM AGAIN	
Confirm symptom and self-diagnosis again. Refer to "Trouble Diagnosis without CONSULT-II", TF-62 and "Trouble Diagnosis with CONSULT-II", TF-65.		
OK or NG		
OK	▶	GO TO 6.
NG	▶	Go to Symptoms 8 and 9. Refer to TF-145, 146.

6	(2) CHECK TIGHT CORNER BRAKING SYMPTOM	
1. Set 4WD shift switch to "4H" position. 2. Drive vehicle at speed lower than 20 km/h (12 MPH) with steering wheel fully turned. 3. Does tight corner braking symptom occur?		
Yes or No		
Yes	▶	INSPECTION END
No	▶	GO TO 7.

7	CONFIRM SYMPTOM AGAIN	
Confirm symptom and self-diagnosis again. Refer to "Trouble Diagnosis without CONSULT-II", TF-62 and "Trouble Diagnosis with CONSULT-II", TF-65.		
OK or NG		
OK	▶	INSPECTION END
NG	▶	Go to Symptoms 8 and 9. Refer to TF-145, 146.



Transfer Control Unit Terminals and Reference Value

GI

REMOVAL AND INSTALLATION OF TRANSFER CONTROL UNIT

NATF0018

MA

Removal

NATF0018S03

NATF0018S0301

EM

1. Turn ignition switch OFF and disconnect negative battery terminal.
 2. Remove console box.
 3. Remove cluster lid C.
 4. Remove audio assembly and A/C control unit.
 5. Remove instrument lower panel on driver side.
 6. Remove glove box.
 7. Remove instrument lower panel on passenger side.
 8. Remove instrument lower center panel.
 9. Remove transfer control unit.
- For steps 2 through 8 above, refer to BT-22, "Instrument Panel Assembly".

LC

EC

FE

CL

Installation

NATF0018S0302

MT

- Installation is in the reverse order of removal.

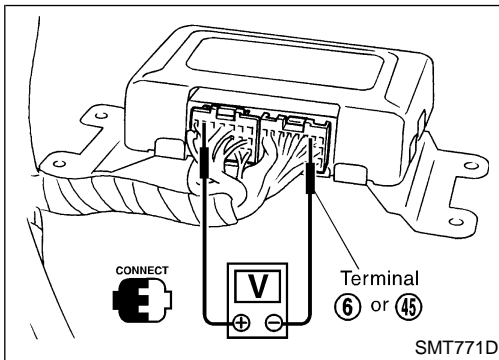
When installing transfer control unit, tighten transfer control unit lock nut.

AT

Tightening torque:

: 4.3 - 5.8 N·m (0.44 - 0.59 kg·m, 38 - 51 in·lb)

TF



INSPECTION OF TRANSFER CONTROL UNIT

NATF0018S01

- Measure voltage between each terminal and terminal 6 or 45 by following "TRANSFER CONTROL UNIT INSPECTION TABLE", TF-90.

PD

AX

SU

BR

ST

RS

BT

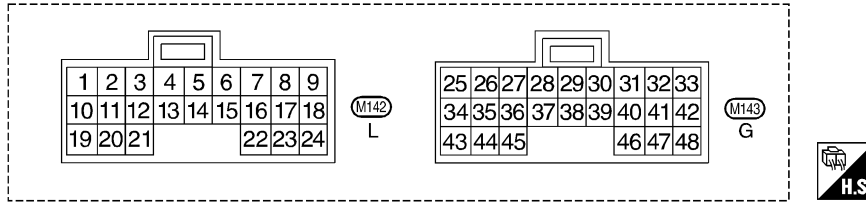
HA

SC

EL

IDX

Transfer Control Unit Terminals and Reference Value (Cont'd)










SMT772D

TRANSFER CONTROL UNIT INSPECTION TABLE

(Data are reference values.)


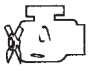









NATF0018S02

Terminal No.	Item	Condition	Judgement standard	
1	2-4WD shift solenoid valve		4WD shift switch is set to "2WD" position.	Less than 1V
		& 	4WD shift switch is set to any position other than "2WD".	Battery voltage
2	4WD shift indicator lamp (2WD)		Lamp lights while system is operating properly.	Less than 1V
		—	2WD indicator lamp does not come on.	Battery voltage
3	Ground	—	—	
4	Transfer shift relay (High)	—	While actuator is operating (4H → 4LO)	Battery voltage
			Actuator does not operate.	Less than 1V
5	4WD warning lamp	& 	Lamp comes ON. (when engine is stopped.) (Fail-safe condition appears on display, engine is stopped, actuator position detection switch is inoperative, oil temperature is too high and/or tires of different size are installed.)	Less than 1V
		—	Except above	Battery voltage
6	Ground	—	—	
7 (With VDC)	CAN H	—	—	
7 (Without VDC)	PNP switch (R position)		A/T selector lever is set to "reverse" position.	Battery voltage
		& 	A/T selector lever is set to any position other than "reverse".	Less than 1V
8 (With VDC)	CAN L	—	—	
8 (Without VDC)	—	—	—	

TROUBLE DIAGNOSIS — GENERAL DESCRIPTION

ATX14A

Transfer Control Unit Terminals and Reference Value (Cont'd)


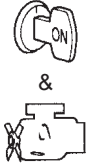
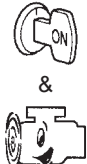
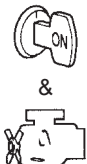
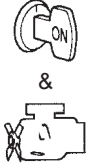
Terminal No.	Item		Condition	Judgement standard
9	4WD shift switch (2WD)		4WD shift switch is set to "2WD" position.	Battery voltage
			4WD shift switch is set to any position other than "2WD".	Less than 1V
10	Transfer dropping resistor		4WD shift switch is set to "AUTO" position.	Approx. 4 - 14V
			4WD shift switch is set to any position other than "2WD".	Less than 1V
11	4WD shift indicator lamp (4H)		"4H" indicator lamp comes ON.	Less than 1V
			4WD shift switch is set to any position other than "4H".	Battery voltage
12	4WD shift indicator lamp (4LO)		"4LO" indicator lamp comes ON.	Approx. 0V
			4WD shift switch is set to any position other than "4LO".	Battery voltage
13	Transfer shift relay (Low)		While actuator is operating (4LO → 4H)	Battery voltage
			Actuator does not operate.	Approx. 0V
14	Transfer motor relay		Transfer motor relay is ON.	Battery voltage
			Transfer motor relay is OFF.	Less than 1V
15 (With VDC)	ATP lamp		AT selector lever is set to "P" position.	Battery voltage
			AT selector lever is set to any position other than "P".	Approx. 0V
15 (Without VDC)	PNP switch (N position)		A/T selector lever is set to "N" position.	Battery voltage
			A/T selector lever is set to any position other than "N" position.	Less than 1V
16	Power supply	<p style="text-align: center;">—</p>	Ignition key is set to "ON" position.	Battery voltage
			Ignition key is set to "OFF" position.	Approx. 0V
17 (With VDC)	Do not use.			
17 (Without VDC)	PNP switch (P position)		A/T selector lever is set to "P" position.	Battery voltage
			A/T selector lever is set to any position other than "P".	Less than 1V
18	4WD shift switch (4H)		4WD shift switch is set to "4H" position.	Battery voltage
			4WD shift switch is set to any position other than "4H".	Less than 1V
19	4WD solenoid valve		4WD shift switch is set to "AUTO" position.	Approx. 1.5 - 3V
			4WD shift switch is set to any position other than "2WD".	Less than 1V
20	—	—	—	—

GI
MA
EM
LC
EC
FE
CL
MT
AT
TF
PD
AX
SU
BR
ST
RS
BT
HA
SC
EL
IDX

TROUBLE DIAGNOSIS — GENERAL DESCRIPTION

ATX14A

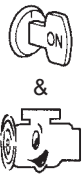

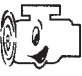

Transfer Control Unit Terminals and Reference Value (Cont'd)

Terminal No.	Item	Condition	Judgement standard	
21	4WD shift indicator lamp (AUTO)		“AUTO” indicator lamp comes ON.	Approx. 0V
			4WD shift switch is set to any position other than “AUTO”.	Battery voltage
22	Power supply	—	Ignition key is set to “ON” position.	Battery voltage
			Ignition key is set to “OFF” position.	Approx. 0V
23	4WD shift switch (4LO)		4WD shift switch is set to “4LO” position.	Battery voltage
			4WD shift switch is set to any position other than “4LO”.	Less than 1V
24	4WD shift switch (AUTO)		4WD shift switch is set to “AUTO” position.	Battery voltage
			4WD shift switch is set to any position other than “AUTO”.	Less than 1V
25	Neutral-4LO switch		Transfer is set to “4LO” position.	Approx. 0V
			Transfer is set to any position other than “4LO”.	Power supply
27	Transfer 4H actuator switch		4WD shift switch is set to “4H” position.	Less than 1V
			4WD shift switch is set to any position other than “4H”.	Battery voltage
28	Throttle position sensor (Ground)		Throttle valve is closed.	Less than 1V
			Throttle valve is fully open.	
29	TCM signal (Vehicle speed signal)		When moving at 20 km/h (12 MPH), use the CONSULT-II pulse frequency measuring function.*1 CAUTION: Connect the diagnosis data link cable to the vehicle diagnosis connector. *1: A circuit tester cannot be used to test this item.	Approximately 225 Hz
30	Throttle position sensor (Power supply for throttle position sensor)		Ignition key is set to “ON” position.	Approx. 4.5 - 5.5V
			Ignition key is set to “OFF” position.	Approx. 0V
31	Transfer fluid temperature sensor		At 20°C (68°F)	Approx. 1.5V
			At 80°C (176°F)	Approx. 0.5V
32 (With VDC)			Do not use.	

TROUBLE DIAGNOSIS — GENERAL DESCRIPTION

ATX14A

Transfer Control Unit Terminals and Reference Value (Cont'd)

Terminal No.	Item	Condition		Judgement standard
32 (Without VDC)	ABS signal		When moving, use the CONSULT-II pulse frequency measuring function.*2 CAUTION: Connect the diagnosis data link cable to the vehicle diagnosis connector. *2: A circuit tester cannot be used to test this item.	Refer to the illustration (SMT973D) at the end of this section.
33	Transfer shift relay (High)		While actuator is operating from "4H" to "4LO"	Battery voltage
	Actuator does not operate.		Approx. 0V	
34	Clutch pressure switch		4WD shift switch is set to "AUTO" or "4H", then A/T selector lever is set to "D" position. (wait detection system: OFF)	Battery voltage
			4WD shift switch is set to "2WD", "AUTO" or "4H", then A/T selector lever is set to "D" position. (wait detection system: ON)	Approx. 0V
35	Line pressure switch		4WD shift switch is set to "2WD", "AUTO" or "4H", then A/T selector lever is set to "D" position.	Battery voltage
			—	Approx. 0V
36	CONSULT-II (RX)	—	—	—
37 (With VDC)	Do not use.			
37 (Without VDC)	Tachometer		—	Refer to EC-149, "ECM Inspection Table".
38 (With VDC)	Front revolution sensor	Sensor is installed, but do not use. (Wheel speed is sent from VDC C/U via CAN communication.)		
38 (Without VDC)	Front revolution sensor		4WD shift switch is set to "4H" position. A/T selector lever is set to "D" position.	Approx. 1V [30 km/h (19 MPH)] Voltage rises in response to vehicle speed.
39 (With VDC)	Do not use.			

GI
MA
EM
LC
EC
FE
CL
MT
AT
TF
PD
AX
SU
BR
ST
RS
BT
HA
SC
EL
IDX

TROUBLE DIAGNOSIS — GENERAL DESCRIPTION

ATX14A

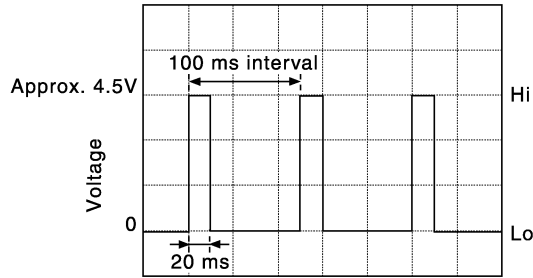
Transfer Control Unit Terminals and Reference Value (Cont'd)

Terminal No.	Item	Condition	Judgement standard
39 (Without VDC)	ECM (Throttle position sensor)	Throttle valve is fully open.	Approx. 0.5V
		Throttle valve is closed.	Approx. 4.2V
40	ATP switch	A/T selector lever is set to "P" position.	Battery voltage
		A/T selector lever is set to any position other than "P".	Less than 1V
41	Transfer motor relay monitor	Transfer motor relay is ON.	Battery voltage
		Transfer motor relay is OFF.	Less than 1V
42	Transfer shift relay (LOW)	While actuator is operating from "4LO" to "4H" position	Battery voltage
		Actuator does not operate.	Approx. 0V
43	Wait detection switch	4WD shift switch is set to any position other than "4LO".	Battery voltage
		4WD shift switch is set to "4LO" position.*3	Less than 1V
44	Transfer 4LO actuator switch	4WD shift switch is set to any position other than "4LO". (Actuator: High position)	Battery voltage
		4WD shift switch is set to "4LO" position. (Actuator: Low position)	Less than 1V
45	Ground	—	—
46	—	—	—
47	Power supply (memory back up)	—	Battery voltage
			Battery voltage
48	CONSULT-II (TX)	—	—

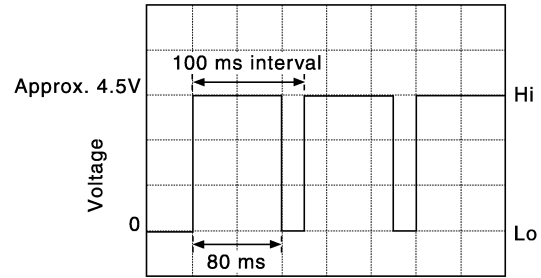
*3: While wait detection system is operating, terminal 43 exists battery voltage.

ABS signal judgement standard (Without VDC)

① Forward waveform when engine is running or stopped.



② ABS waveform during operation



Caution:
In motion, (forward to turning) changes the Hi (ON) time from 20 to 40 to 60 ms.

③ If the ABS control unit malfunctions, the terminal voltage is fixed at Hi (approximately 4.5V).

SMT172E

GI
MA
EM
LC
EC
FE
CL
MT
AT
TF
PD
AX
SU
BR
ST
RS
BT
HA
SC
EL
IDX

Description

Description

NATF0135

CAN (Controller Area Network) is a serial communication line for real time application. It is an on-vehicle multiplex communication line with high data communication speed and excellent error detection ability. Many electronic control units are equipped onto a vehicle, and each control unit shares information and links with other control units during operation (not independent). In CAN communication, control units are connected with 2 communication lines (CAN H line, CAN L line) allowing a high rate of information transmission with less wiring. Each control unit transmits/receives data but selectively reads required data only.

On Board Diagnosis Logic

NATF0136

- This is an OBD-II self-diagnostic item.
- Diagnostic trouble code "CAN COMM CIRCUIT" with CONSULT-II or U1000 without CONSULT-II is detected when TCM cannot communicate to other control unit.

Possible Cause

NATF0137

Harness or connectors
(CAN communication line is open or shorted.)

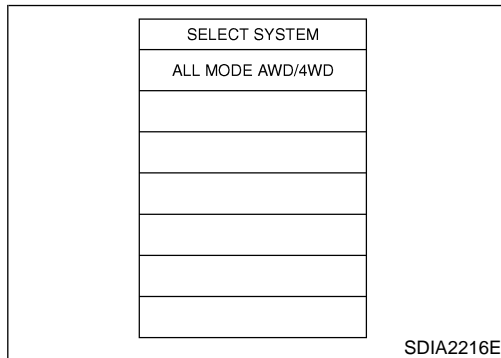
DTC Confirmation Procedure

NATF0138

NOTE:

If "DTC Confirmation Procedure" has been previously conducted, always turn ignition switch "OFF" and wait at least 10 seconds before conducting the next test.

After the repair, perform the following procedure to confirm the malfunction is eliminated.



WITH CONSULT-II

NATF0138S01

1. Turn ignition switch to "ON" position. (Do not start engine.)
2. Select "DATA MONITOR" mode for "ALL MODE AWD/4WD" with CONSULT-II.
3. Start engine and wait for at least 6 seconds.
4. If DTC is detected, go to TF-97, "Diagnostic Procedure".

WITH GST

NATF0138S02

Follow the procedure "WITH CONSULT-II".

Diagnostic Procedure

NATF0139

1	CHECK CAN COMMUNICATION CIRCUIT																																
<p> With CONSULT-II</p> <p>1. Turn ignition switch to "ON" position. (Do not start engine.)</p> <p>2. Select "DATA MONITOR" mode for "ALL MODE 4WD" with CONSULT-II.</p> <p>3. The "CAN COMM CIRCUIT" is detected.</p> <div style="text-align: center; margin: 20px 0;"> <table border="1" style="margin: 0 auto; border-collapse: collapse;"> <tr><td colspan="4" style="text-align: center;">SELF-DIAG RESULTS</td></tr> <tr><td colspan="4" style="text-align: center;">DTC RESULTS</td></tr> <tr><td colspan="4" style="text-align: center;">CAN COMM CIRCUIT</td></tr> <tr><td colspan="4" style="text-align: center;">[U1000]</td></tr> <tr><td colspan="4" style="text-align: center;"> </td></tr> <tr><td colspan="4" style="text-align: center;"> </td></tr> <tr><td colspan="2" style="text-align: center;">ERASE</td><td colspan="2" style="text-align: center;">PRINT</td></tr> <tr><td style="text-align: center;">MODE</td><td style="text-align: center;">BACK</td><td style="text-align: center;">LIGHT</td><td style="text-align: center;">COPY</td></tr> </table> </div> <p style="text-align: right; margin-top: 10px;">PCIA0061E</p>		SELF-DIAG RESULTS				DTC RESULTS				CAN COMM CIRCUIT				[U1000]												ERASE		PRINT		MODE	BACK	LIGHT	COPY
SELF-DIAG RESULTS																																	
DTC RESULTS																																	
CAN COMM CIRCUIT																																	
[U1000]																																	
ERASE		PRINT																															
MODE	BACK	LIGHT	COPY																														
Yes or No																																	
Yes	▶ Go to EL-447, "CAN Communication Unit".																																
No	▶ INSPECTION END																																

GI
MA
EM
LC
EC
FE
CL
MT
AT
TF
PD
AX
SU
BR
ST
RS
BT
HA
SC
EL
IDX

VEHICLE SPEED SENSOR (FRONT REVOLUTION SENSOR) (WITHOUT VDC)

ATX14A

Diagnostic Procedure

Diagnostic Procedure

NATF0019

1	FRONT REVOLUTION SENSOR
Refer to "Front Revolution Sensor", "COMPONENT INSPECTION", TF-149.	
OK or NG	
OK	▶ GO TO 3.
NG	▶ GO TO 2.

2	CHECK CONTINUITY
Check the following.	
● Continuity of transfer sub-harness Refer to "Transfer Sub-harness", "COMPONENT INSPECTION", TF-150.	
OK or NG	
OK	▶ Repair or replace front revolution sensor.
NG	▶ Repair or replace front revolution sensor and transfer sub-harness.

3	CHECK INPUT SIGNAL
WITH CONSULT-II	▶ GO TO 4.
WITHOUT CONSULT-II	▶ GO TO 5.

VEHICLE SPEED SENSOR (FRONT REVOLUTION SENSOR) (WITHOUT VDC)

ATX14A

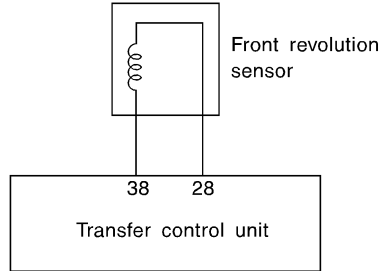
Diagnostic Procedure (Cont'd)

GI
MA
EM
LC
EC
FE
CL
MT
AT
TF
PD
AX
SU
BR
ST
RS
BT
HA
SC
EL
IDX

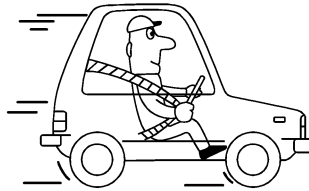
4 CHECK INPUT SIGNAL

With CONSULT-II

1. Start engine.
2. Select "ECU INPUT SIGNALS" in Data Monitor.
3. Read out the value of "VEHICLE SPEED SENSOR (FRONT)" while driving.



SMT773D



DATA MONITOR	
MONITOR	NO DTC
VHCL/S SEN-FR	0 km/h
VHCL/S SEN-RR	0 km/h
ENGINE SPEED	775 rpm
THRTL POS SEN	0.5 V
FLUID TEMP SE	0.86 V
BATTERY VOLT	14.1 V
2WD SWITCH	ON
AUTO SWITCH	OFF
LOCK SWITCH	OFF

SMT974D

4. Check if the value changes according to accelerating and decelerating the vehicle.


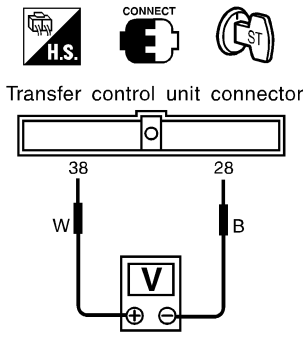
OK or NG

OK	▶	GO TO 6.
NG	▶	GO TO 7.

VEHICLE SPEED SENSOR (FRONT REVOLUTION SENSOR) (WITHOUT VDC)

ATX14A

Diagnostic Procedure (Cont'd)

5	CHECK INPUT SIGNAL	
<p>⊗ Without CONSULT-II</p> <ol style="list-style-type: none"> 1. Start engine. 2. Check voltage between transfer control unit harness connector terminals 38 and 28. (Measure it in AC range.) <p style="margin-left: 20px;">Voltage: 0 km/h (0 MPH): 0V 30 km/h (19 MPH): More than 1V (Voltage rises gradually in response to vehicle speed.)</p>		
		
 <p style="text-align: center;">Transfer control unit connector</p>		
SMT774D		
OK or NG		
OK	▶	GO TO 6.
NG	▶	GO TO 7.

6	PERFORM SELF-DIAGNOSIS AGAIN	
<p>After driving for a while, perform self-diagnosis again. Refer to "Trouble Diagnosis without CONSULT-II", TF-62.</p> <p style="text-align: center;">OK or NG</p>		
OK	▶	INSPECTION END
NG	▶	<ol style="list-style-type: none"> 1. Perform transfer control unit input/output signal inspection. Refer to "TRANSFER CONTROL UNIT INSPECTION TABLE", "TROUBLE DIAGNOSIS — GENERAL DESCRIPTION", TF-90. 2. If NG, recheck transfer control unit pin terminals for damage or loose connection with harness connector.

7	CHECK HARNESS CONTINUITY BETWEEN TRANSFER CONTROL UNIT AND FRONT REVOLUTION SENSOR SUB-HARNESS CONNECTOR	
OK or NG		
OK	▶	GO TO 6.
NG	▶	Repair or replace sub-harness connector between transfer control unit and front revolution sensor.

Diagnostic Procedure

NATF0020

1	CHECK 4WD SOLENOID VALVE	<div style="text-align: center;"> <p style="text-align: center;">4WD solenoid valve</p> <p style="text-align: center;">Transfer dropping resistor</p> <p style="text-align: center;">19 10</p> <p style="text-align: center;">Transfer control unit</p> </div> <p style="text-align: right;">SMT775D</p> <p>Refer to "4WD Solenoid Valve, Clutch Pressure Switch and Line Pressure Switch", "COMPONENT INSPECTION", TF-148.</p> <p style="text-align: center;">OK or NG</p>	GI MA EM LC EC FE CL MT AT
OK	▶	GO TO 2.	
NG	▶	<p>Check the following. If OK, repair or replace 4WD solenoid valve.</p> <ul style="list-style-type: none"> ● Continuity of transfer sub-harness <p>Refer to "TRANSFER TERMINAL CORD ASSEMBLY SUB-HARNESS CONNECTOR", "COMPONENT INSPECTION", TF-151.</p>	

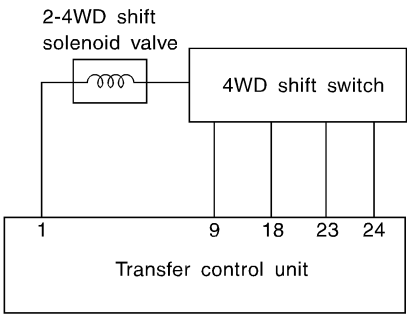
2	CHECK POWER SOURCE CIRCUIT	<p>1. Turn ignition switch to "OFF" position.</p> <p>2. Disconnect transfer control unit harness connector.</p> <p>3. Check resistance between transfer terminal cord assembly sub-harness connector terminal 6 and transfer control unit harness connector terminal 10.</p> <p style="color: blue;">Resistance: 11.2 - 12.8Ω</p> <div style="text-align: center;"> <p style="text-align: center;">Transfer control unit connector</p> <p style="text-align: center;">Terminal cord assembly sub-harness connector (B209)</p> <p style="text-align: center;">10 6</p> <p style="text-align: center;">L/OR</p> <p style="text-align: center;">Ω</p> </div> <p style="text-align: right;">SMT150E</p> <p style="text-align: center;">OK or NG</p>	TF PD AX SU BR ST RS BT HA SC EL IDX
OK	▶	GO TO 3.	
NG	▶	<p>Check the following.</p> <ul style="list-style-type: none"> ● Transfer dropping resistor <p>Refer to "Transfer Dropping Resistor", "COMPONENT INSPECTION", TF-149.</p> <ul style="list-style-type: none"> ● Continuity between transfer terminal cord assembly sub-harness connector terminal 6 and transfer control unit harness connector terminal 10. 	

3	CHECK POWER SOURCE CIRCUIT	
<p>1. Turn ignition switch to "OFF" position.</p> <p>2. Check continuity between transfer terminal cord assembly sub-harness connector terminal 6 and transfer control unit harness connector terminal 19.</p> <p>Continuity should exist.</p>		
<p style="text-align: right;">Terminal cord assembly sub-harness connector (B209)</p> <p style="text-align: center;">Transfer control unit connector</p> <p style="text-align: right;">SMT777D</p>		
OK or NG		
OK	▶	GO TO 4.
NG	▶	Repair or replace harness between transfer terminal cord assembly sub-harness connector terminal 6 and transfer control unit harness connector terminal 19.

4	PERFORM SELF-DIAGNOSIS	
<p>After driving for a while, perform self-diagnosis.</p> <p>Refer to "Trouble Diagnosis without CONSULT-II", TF-62 and "Trouble Diagnosis with CONSULT-II", TF-65.</p>		
OK or NG		
OK	▶	INSPECTION END
NG	▶	<ol style="list-style-type: none"> 1. Perform transfer control unit input/output signal inspection. Refer to "TRANSFER CONTROL UNIT INSPECTION TABLE", TF-90. 2. If NG, recheck transfer control unit pin terminals for damage or loose connection with harness connector.

Diagnostic Procedure

NATF0021

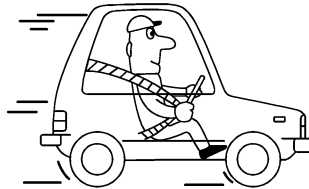
1	CHECK 2-4WD SHIFT SOLENOID VALVE AND 4WD SHIFT SWITCH	
Refer to "2-4WD Shift Solenoid Valve and Transfer Fluid Temperature Sensor", "COMPONENT INSPECTION", TF-148.		
		
SMT778D		
OK or NG		
OK	▶	GO TO 2.
NG	▶	Check the following. If OK, repair or replace 2-4WD shift solenoid valve and 4WD shift switch. <ul style="list-style-type: none"> ● Continuity of transfer sub-harness Refer to "TRANSFER TERMINAL CORD ASSEMBLY SUB-HARNESS CONNECTOR", "COMPONENT INSPECTION", TF-151.

GI
 MA
 EM
 LC
 EC
 FE
 CL
 MT
 AT
TF
 PD
 AX
 SU
 BR
 ST
 RS
 BT
 HA
 SC
 EL
 IDX

2 CHECK INPUT SIGNAL

With CONSULT-II

1. Select "ECU INPUT SIGNALS" in Data Monitor.
2. Read out ON/OFF status of "2WD SW" and "LOCK SWITCH".



DATA MONITOR	
MONITOR	NO DTC
VHCL/S SEN-FR	0 km/h
VHCL/S SEN-RR	0 km/h
ENGINE SPEED	775 rpm
THRTL POS SEN	0.5 V
FLUID TEMP SE	0.86 V
BATTERY VOLT	14.1 V
2WD SWITCH	ON
AUTO SWITCH	OFF
LOCK SWITCH	OFF

SMT974D

OK or NG

OK	▶	1. Perform transfer control unit input/output signal inspection. Refer to "TRANSFER CONTROL UNIT INSPECTION TABLE", "TROUBLE DIAGNOSIS — GENERAL DESCRIPTION", TF-90. 2. If NG, recheck transfer control unit pin terminals for damage or loose connection with harness connector.
NG	▶	GO TO 3.

2-4WD SHIFT SOLENOID VALVE AND 4WD SHIFT SWITCH

ATX14A

Diagnostic Procedure (Cont'd)

3	CHECK 4WD SHIFT SWITCH POWER SOURCE	
<p>1. Disconnect 4WD shift switch harness connector.</p> <p>2. Turn ignition switch to "ON" position.</p> <p>3. Check voltage between 4WD shift switch harness connector terminal 1 and body ground.</p> <p>Voltage: Battery voltage</p> <div data-bbox="673 325 982 640" style="text-align: center;"> <p>4WD shift switch harness connector (M141)</p> </div> <p style="text-align: right;">SMT852D</p> <p style="text-align: center;">OK or NG</p>		
OK	▶	GO TO 4.
NG	▶	<p>Check the following.</p> <ul style="list-style-type: none"> ● No. 18 fuse (10A) ● Continuity between ignition switch and 4WD shift switch

GI
MA
EM
LC
EC
FE
CL
MT
AT
TF
PD
AX
SU
BR
ST
RS
BT
HA
SC
EL
IDX

2-4WD SHIFT SOLENOID VALVE AND 4WD SHIFT SWITCH

ATX14A

Diagnostic Procedure (Cont'd)

4	CHECK HARNESS CONTINUITY
<p>1. Turn ignition switch to "OFF" position.</p> <p>2. Check continuity between the following terminals:</p> <ul style="list-style-type: none"> ● Transfer control unit 9 and 4WD shift switch 2 (2WD) ● Transfer control unit 18 and 4WD shift switch 5 (4H) ● Transfer control unit 24 and 4WD shift switch 3 (AUTO) ● Transfer control unit 23 and 4WD shift switch 6 (4LO) ● Transfer control unit 1 and Transfer terminal cord assembly sub-harness connector 4 ● 4WD shift switch 4 and Transfer terminal cord assembly sub-harness connector 5 <p>Continuity should exist.</p>	
SMT853D	
OK or NG	
OK	▶ GO TO 5.
NG	▶ Repair harness or connector.

5	PERFORM SELF-DIAGNOSIS AGAIN
<p>After driving for a while, perform self-diagnosis again.</p> <p>Refer to "Trouble Diagnosis without CONSULT-II", TF-62.</p>	
OK or NG	
OK	▶ INSPECTION END
NG	▶ <ul style="list-style-type: none"> 1. Perform transfer control unit input/output signal inspection. Refer to "TRANSFER CONTROL UNIT INSPECTION TABLE", "TROUBLE DIAGNOSIS — GENERAL DESCRIPTION", TF-90. 2. If NG, recheck transfer control unit pin terminals for damage or loose connection with harness connector.

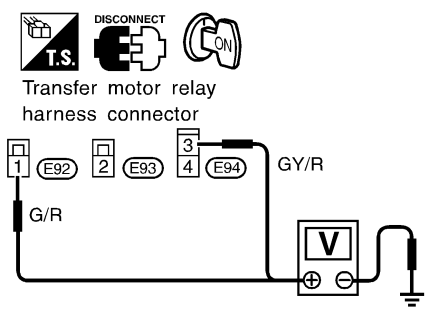
Diagnostic Procedure

NATF0022

1	CHECK TRANSFER MOTOR AND TRANSFER MOTOR RELAY
SMT151E	
Refer to "Transfer Motor" and "Transfer Motor Relay", "COMPONENT INSPECTION", TF-150.	
OK or NG	
OK	▶ GO TO 2.
NG	▶ Repair or replace transfer motor and transfer motor relay.

2	CHECK CONTINUITY
Check the following. <ul style="list-style-type: none"> ● Continuity of transfer sub-harness Refer to "TRANSFER SWITCH ASSEMBLY SUB-HARNESS CONNECTOR", "COMPONENT INSPECTION", TF-151. 	
OK or NG	
OK	▶ GO TO 3.
NG	▶ Repair or replace transfer sub-harness.

3	CHECK INPUT SIGNAL																						
ⓘ With CONSULT-II <ol style="list-style-type: none"> 1. Select "MAIN SIGNALS" in Data Monitor. 2. Read out ON/OFF status of "MOTOR RELAY". 																							
<table border="1" style="margin: auto; border-collapse: collapse;"> <thead> <tr> <th colspan="2">DATA MONITOR</th> </tr> <tr> <th>MONITOR</th> <th>NO DTC</th> </tr> </thead> <tbody> <tr><td>4WD MODE</td><td>2WD</td></tr> <tr><td>COMP CL TORQ</td><td>0.0 kgm</td></tr> <tr><td>DUTY SOLENOID</td><td>4 %</td></tr> <tr><td>2-4WD SOL</td><td>OFF</td></tr> <tr><td>VHCL/S COMP</td><td>0 km/h</td></tr> <tr><td>THROTTLE POSI</td><td>0.0 /8</td></tr> <tr><td>MOTOR RELAY</td><td>OFF</td></tr> <tr><td>4WD FAIL LAMP</td><td>OFF</td></tr> <tr><td>SHIFT ACT 1</td><td>OFF</td></tr> </tbody> </table>		DATA MONITOR		MONITOR	NO DTC	4WD MODE	2WD	COMP CL TORQ	0.0 kgm	DUTY SOLENOID	4 %	2-4WD SOL	OFF	VHCL/S COMP	0 km/h	THROTTLE POSI	0.0 /8	MOTOR RELAY	OFF	4WD FAIL LAMP	OFF	SHIFT ACT 1	OFF
DATA MONITOR																							
MONITOR	NO DTC																						
4WD MODE	2WD																						
COMP CL TORQ	0.0 kgm																						
DUTY SOLENOID	4 %																						
2-4WD SOL	OFF																						
VHCL/S COMP	0 km/h																						
THROTTLE POSI	0.0 /8																						
MOTOR RELAY	OFF																						
4WD FAIL LAMP	OFF																						
SHIFT ACT 1	OFF																						
SMT975D																							
3. When the value is different from standard value although ON/OFF switching occurs, check the following items. <ul style="list-style-type: none"> ● PNP switch, throttle position sensor and closed throttle position switch circuits Refer to AT-105, "DTC P0705 Park/Neutral Position Switch", AT-182, "DTC P1705 Throttle Position Sensor". 																							
OK or NG																							
OK	▶ GO TO 4.																						
NG	▶ 1. Perform transfer control unit input/output signal inspection. Refer to "TRANSFER CONTROL UNIT INSPECTION TABLE", "TROUBLE DIAGNOSIS — GENERAL DESCRIPTION", TF-90. ▶ 2. If NG, recheck transfer control unit pin terminals for damage or loose connection with harness connector.																						

4	CHECK TRANSFER MOTOR RELAY POWER SOURCE	
	<p>1. Disconnect transfer motor relay harness connector. 2. Turn ignition switch to "ON" position. 3. Check voltage between transfer motor relay harness connector terminals 1, 3 and body ground.</p> <p style="color: blue;">Voltage: Battery voltage</p> <div style="text-align: center;">  <p style="font-size: small;">Transfer motor relay harness connector</p> </div> <p style="text-align: right; font-size: x-small;">SMT854DA</p>	
	OK or NG	
OK	▶	GO TO 5.
NG	▶	<p>Check the following.</p> <ul style="list-style-type: none"> ● No. 55 fuse (20A) ● No. 8 fuse (10A) ● Harness continuity between fuse and transfer motor relay

5	CHECK HARNESS CONTINUITY
<p>1. Turn ignition switch to "OFF" position.</p> <p>2. Check continuity between the following terminals.</p> <ul style="list-style-type: none"> ● Transfer control unit 41 and Transfer motor 14 ● Transfer control unit 41 and Transfer motor relay 2 ● Transfer control unit 14 and Transfer motor relay 4 ● Transfer motor 15 and body ground <p>Continuity should exist.</p> <div style="text-align: center;"> </div> <p style="text-align: right;">SMT855DA</p>	
OK or NG	
OK	▶ GO TO 6.
NG	▶ Repair or replace harness or connector.

6	PERFORM SELF-DIAGNOSIS AGAIN
<p>After driving for a while, perform self-diagnosis again.</p> <p>Refer to "Trouble Diagnosis without CONSULT-II", TF-62 and "Trouble Diagnosis with CONSULT-II", TF-65.</p>	
OK or NG	
OK	▶ INSPECTION END
NG	▶ <ol style="list-style-type: none"> 1. Perform transfer control unit input/output signal inspection. Refer to "TRANSFER CONTROL UNIT INSPECTION TABLE", "TROUBLE DIAGNOSIS — GENERAL DESCRIPTION", TF-90. 2. If NG, recheck transfer control unit pin terminals for damage or loose connection with harness connector.

GI
 MA
 EM
 LC
 EC
 FE
 CL
 MT
 AT
TF
 PD
 AX
 SU
 BR
 ST
 RS
 BT
 HA
 SC
 EL
 IDX

Diagnostic Procedure

NATF0023

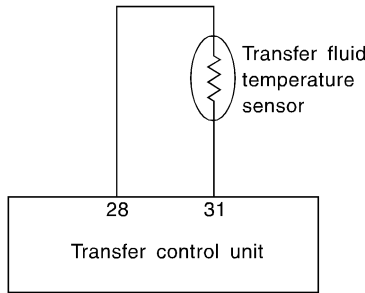
1	CHECK TRANSFER FLUID TEMPERATURE SENSOR	
Refer to "2-4WD Shift Solenoid Valve and Transfer Fluid Temperature Sensor", "COMPONENT INSPECTION", TF-148.		
OK or NG		
OK	▶	GO TO 2.
NG	▶	Repair or replace fluid temperature sensor.

2	CHECK CONTINUITY	
Check the following. <ul style="list-style-type: none"> ● Continuity of transfer sub-harness Refer to "TRANSFER TERMINAL CORD ASSEMBLY SUB-HARNESS CONNECTOR", "COMPONENT INSPECTION", TF-151. 		
OK or NG		
OK	▶	GO TO 3.
NG	▶	Repair or replace transfer sub-harness.

3	CHECK INPUT SIGNAL	
WITH CONSULT-II	▶	GO TO 4.
WITHOUT CONSULT-II	▶	GO TO 5.

GI
MA
EM
LC
EC
FE
CL
MT
AT
TF
PD
AX
SU
BR
ST
RS
BT
HA
SC
EL
IDX

4 CHECK INPUT SIGNAL



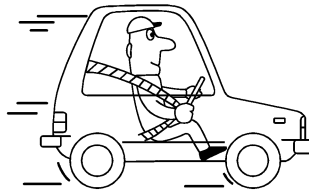
SMT784D

With CONSULT-II

1. Start engine.
2. Select "ECU INPUT SIGNALS" in Data Monitor.
3. Read out the value of "FLUID TEMP SE".

Voltage:

- 20°C (68°F): Approx. 1.5V**
- 80°C (176°F): Approx. 0.5V**



DATA MONITOR	
MONITOR	NO DTC
VHCL/S SEN-FR	0 km/h
VHCL/S SEN-RR	0 km/h
ENGINE SPEED	775 rpm
THRTL POS SEN	0.5 V
FLUID TEMP SE	0.86 V
BATTERY VOLT	14.1 V
2WD SWITCH	ON
AUTO SWITCH	OFF
LOCK SWITCH	OFF

SMT974D

OK or NG

OK ▶ GO TO 6.

NG ▶ **Check the following.**

- Continuity between transfer control unit and transfer terminal cord assembly sub-harness connector

5	CHECK INPUT SIGNAL	
<p>⊗ Without CONSULT-II</p> <ol style="list-style-type: none"> 1. Turn ignition switch to "ON" position. 2. Check voltage between transfer control unit harness connector terminals 28 and 31. <p style="margin-left: 20px;">Voltage:</p> <p style="margin-left: 40px;">20°C (68°F): Approx. 1.5V</p> <p style="margin-left: 40px;">80°C (176°F): Approx. 0.5V</p> <div style="text-align: center; margin: 10px 0;"> <p style="margin: 0;">Transfer control unit connector</p> </div> <p style="text-align: right; margin-right: 20px;">SMT785D</p> <p style="text-align: center; margin-top: 10px;">OK or NG</p>		
OK	▶	GO TO 6.
NG	▶	<p>Check the following.</p> <ul style="list-style-type: none"> ● Continuity between transfer control unit and transfer terminal cord assembly sub-harness connector

6	PERFORM SELF-DIAGNOSIS AGAIN	
<p>After driving for a while, perform self-diagnosis again. Refer to "Trouble Diagnosis without CONSULT-II", TF-62.</p> <p style="text-align: center; margin-top: 10px;">OK or NG</p>		
OK	▶	INSPECTION END
NG	▶	<ol style="list-style-type: none"> 1. Perform transfer control unit input/output signal inspection. Refer to "TRANSFER CONTROL UNIT INSPECTION TABLE", "TROUBLE DIAGNOSIS — GENERAL DESCRIPTION", TF-90. 2. If NG, recheck transfer control unit pin terminals for damage or loose connection with harness connector.

ATP SWITCH, WAIT DETECTION SWITCH AND NEUTRAL-4LO SWITCH

ATX14A

Diagnostic Procedure

Diagnostic Procedure

NATF0024

1	CHECK ATP SWITCH, WAIT DETECTION SWITCH AND NEUTRAL-4LO SWITCH	
<p style="text-align: right;">SMT786D</p>		
Refer to "ATP Switch, Neutral-4LO Switch and Wait Detection Switch", "COMPONENT INSPECTION", TF-149.		
OK or NG		
OK	▶	GO TO 3.
NG	▶	GO TO 2.

2	CHECK CONTINUITY OF TRANSFER SUB-HARNESS	
Check the following. <ul style="list-style-type: none"> ● Continuity of transfer sub-harness Refer to "TRANSFER SWITCH ASSEMBLY SUB-HARNESS CONNECTOR", "COMPONENT INSPECTION", TF-151. 		
OK or NG		
OK	▶	Repair or replace ATP switch, wait detection switch or neutral-4LO switch.
NG	▶	Repair or replace transfer sub-harness.

3	CHECK INPUT SIGNAL	
WITH CONSULT-II	▶	GO TO 4.
WITHOUT CONSULT-II	▶	GO TO 5.

GI
MA
EM
LC
EC
FE
CL
MT
AT
TF
PD
AX
SU
BR
ST
RS
BT
HA
SC
EL
IDX

ATP SWITCH, WAIT DETECTION SWITCH AND NEUTRAL-4LO SWITCH

ATX14A

Diagnostic Procedure (Cont'd)

4	CHECK INPUT SIGNAL																						
<p> With CONSULT-II 1. Select "ECU INPUT SIGNALS" in Data Monitor. 2. Read out the ON/OFF status of "ATP SW", "NEUTRAL SW" and "WAIT DETCT SW". </p>																							
<table border="1" style="margin: auto; border-collapse: collapse;"> <thead> <tr> <th colspan="2">DATA MONITOR</th> </tr> <tr> <th style="width: 60%;">MONITOR</th> <th style="width: 40%;">NO DTC</th> </tr> </thead> <tbody> <tr><td>ATP SWITCH</td><td>OFF</td></tr> <tr><td>N POSI SW AT</td><td>OFF</td></tr> <tr><td>R POSI SW AT</td><td>OFF</td></tr> <tr><td>P POSI SW AT</td><td>ON</td></tr> <tr><td>CLOSED THL/SW</td><td>ON</td></tr> <tr><td>ABS OPER SW</td><td>OFF</td></tr> <tr><td>WAIT DETCT SW</td><td>OFF</td></tr> <tr><td>SHIFT POS SW1</td><td>OFF</td></tr> <tr><td>SHIFT POS SW2</td><td>ON</td></tr> </tbody> </table>		DATA MONITOR		MONITOR	NO DTC	ATP SWITCH	OFF	N POSI SW AT	OFF	R POSI SW AT	OFF	P POSI SW AT	ON	CLOSED THL/SW	ON	ABS OPER SW	OFF	WAIT DETCT SW	OFF	SHIFT POS SW1	OFF	SHIFT POS SW2	ON
DATA MONITOR																							
MONITOR	NO DTC																						
ATP SWITCH	OFF																						
N POSI SW AT	OFF																						
R POSI SW AT	OFF																						
P POSI SW AT	ON																						
CLOSED THL/SW	ON																						
ABS OPER SW	OFF																						
WAIT DETCT SW	OFF																						
SHIFT POS SW1	OFF																						
SHIFT POS SW2	ON																						
SMT976D																							
OK or NG																							
OK	▶																						
GO TO 6.																							
NG	▶																						
<p>Check the following.</p> <ul style="list-style-type: none"> ● Harness continuity between transfer switch assembly sub-harness connector and transfer control unit ● Continuity between transfer switch assembly sub-harness connector and body ground 																							

ATP SWITCH, WAIT DETECTION SWITCH AND NEUTRAL-4LO SWITCH

ATX14A

Diagnostic Procedure (Cont'd)

GI
MA
EM
LC
EC
FE
CL
MT
AT
TF
PD
AX
SU
BR
ST
RS
BT
HA
SC
EL
IDX

5 CHECK INPUT SIGNAL

⊗ Without CONSULT-II

1. Turn ignition switch to "OFF" position.
2. Operate 4WD shift switch and check continuity between the following terminals.

Continuity:

Terminal 40 (ATP switch) and body ground

"4H" position: No continuity should exist.

Between "4H" and "4LO": Continuity should exist.

"4LO" position: No continuity should exist.

Terminal 25 (Neutral-4LO switch) and body ground

"4H" position: No continuity should exist.

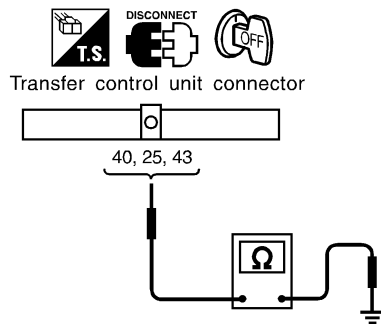
"4LO" position: Continuity should exist.

Terminal 43 (Wait detection switch) and body ground

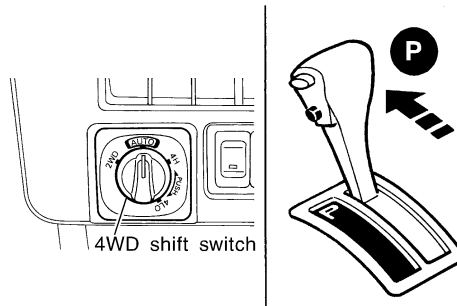
"4H" position: No continuity should exist. (*1)

"4LO" position: Continuity should exist.

*1: After setting from "4LO" to "4H", continuity exists while "Wait" function is operating in "4H" position. (No continuity exists when "Wait" function is canceled.)



SMT787D



SMT849D

OK or NG

OK	▶	GO TO 6.
NG	▶	Check the following. <ul style="list-style-type: none"> ● Harness continuity between transfer switch assembly sub-harness connector and transfer control unit ● Continuity between transfer switch assembly sub-harness connector and body ground

ATP SWITCH, WAIT DETECTION SWITCH AND NEUTRAL-4LO SWITCH

ATX14A

Diagnostic Procedure (Cont'd)

6	PERFORM SELF-DIAGNOSIS AGAIN
After driving for a while, perform self-diagnosis again. Refer to "Trouble Diagnosis without CONSULT-II", TF-62.	
OK or NG	
OK	▶ INSPECTION END
NG	▶ 1. Perform transfer control unit input/output signal inspection. Refer to "TRANSFER CONTROL UNIT INSPECTION TABLE", "TROUBLE DIAGNOSIS — GENERAL DESCRIPTION", TF-90. 2. If NG, recheck transfer control unit pin terminals for damage or loose connection with harness connector.

Diagnostic Procedure

NATF0025

1	CHECK MALFUNCTION	
Is this malfunction detected only while driving in reverse?		
Yes or No		
Yes	▶	CHECK A/T PNP SWITCH "R" POSITION. Refer to AT-105, "DTC P0705 Park/Neutral Position Switch".
No	▶	GO TO 2.

2	CHECK OTHER MALFUNCTION	
Are other malfunctions also detected by self-diagnosis and CONSULT-II?		
Refer to "Trouble Diagnosis without CONSULT-II", TF-62 and "Trouble Diagnosis with CONSULT-II", TF-65.		
Yes or No		
Yes	▶	CHECK FOR OTHER MALFUNCTIONS. (When other malfunctions are eliminated, clutch pressure switch malfunction display may disappear.)
No	▶	GO TO 3.

3	CHECK 2-4WD SHIFT SOLENOID VALVE AND 4WD SHIFT SWITCH CIRCUITS	
Check 2-4WD shift solenoid valve and 4WD shift switch circuits.		
OK or NG		
OK	▶	GO TO 4.
NG	▶	Check, repair or replace faulty parts.

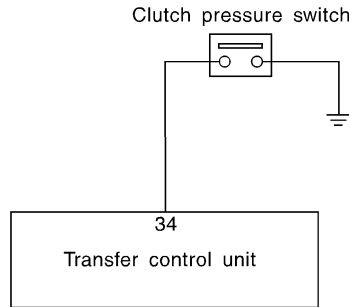
4	CHECK INPUT SIGNAL	
WITH CONSULT-II	▶	GO TO 5.
WITHOUT CONSULT-II	▶	GO TO 6.

GI
MA
EM
LC
EC
FE
CL
MT
AT
TF
PD
AX
SU
BR
ST
RS
BT
HA
SC
EL
IDX

5 CHECK INPUT SIGNAL

With CONSULT-II

1. Turn ignition switch to "ON" position.
2. Select "ECU INPUT SIGNALS" in Data Monitor.
3. Read out ON/OFF status of "CL PRES SW".



SMT788D

DATA MONITOR	
MONITOR	NO DTC
4L SWITCH	OFF
N POSI SW TF	OFF
LINE PRES SW	OFF
CL PRES SW	OFF
ATP SWITCH	OFF
N POSI SW AT	OFF
R POSI SW AT	OFF
P POSI SW AT	ON
CLOSED THL/SW	ON

SMT977D

OK or NG

OK ► GO TO 7.

NG ► **Check the following.**

- Continuity between transfer control unit and transfer terminal cord assembly sub-harness connector
- Transfer sub-harness
- Clutch pressure switch

Refer to "4WD Solenoid Valve, Clutch Pressure Switch and Line Pressure Switch", "COMPONENT INSPECTION", TF-148.

Diagnostic Procedure

NATF0026

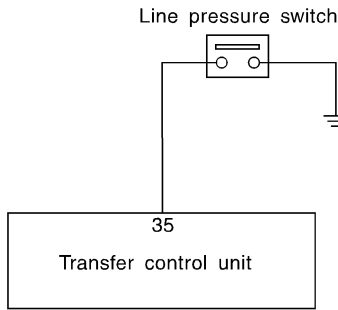
1	CHECK MALFUNCTION	
Is this malfunction detected only while driving in reverse?		
Yes or No		
Yes	▶	CHECK A/T PNP SWITCH "R" POSITION. Refer to AT-105, "DTC P0705 Park/Neutral Position Switch".
No	▶	GO TO 2.

2	CHECK OTHER MALFUNCTIONS	
Are other malfunctions also detected by self-diagnosis and CONSULT-II?		
Refer to "Trouble Diagnosis without CONSULT-II", TF-62 and "Trouble Diagnosis with CONSULT-II", TF-65.		
Yes or No		
Yes	▶	CHECK FOR OTHER MALFUNCTIONS. (When other malfunctions are eliminated, line pressure switch malfunction display may disappear.)
No	▶	GO TO 3.

3	CHECK INPUT SIGNAL	
WITH CONSULT-II	▶	GO TO 4.
WITHOUT CONSULT-II	▶	GO TO 5.

GI
MA
EM
LC
EC
FE
CL
MT
AT
TF
PD
AX
SU
BR
ST
RS
BT
HA
SC
EL
IDX

4 CHECK INPUT SIGNAL



SMT790D

With CONSULT-II

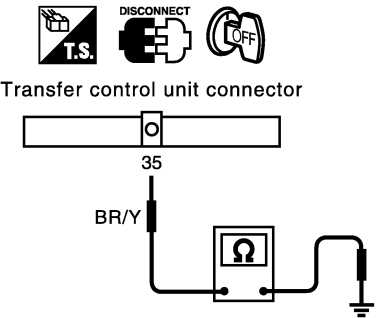
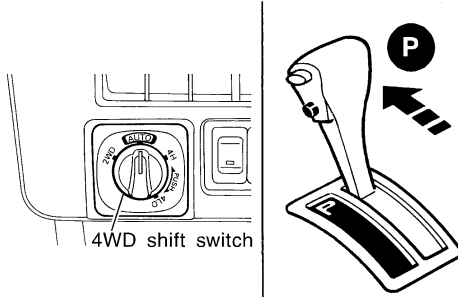
1. Select "ECU INPUT SIGNALS" in Data Monitor.
2. Read out the ON/OFF status of "LINE PRES SW".

DATA MONITOR	
MONITOR	NO DTC
4L SWITCH	OFF
N POSI SW TF	OFF
LINE PRES SW	OFF
CL PRES SW	OFF
ATP SWITCH	OFF
N POSI SW AT	OFF
R POSI SW AT	OFF
P POSI SW AT	ON
CLOSEDTHL/SW	ON

SMT977D

OK or NG

OK	▶	GO TO 6.
NG	▶	<p>Check the following.</p> <ul style="list-style-type: none"> ● Continuity between transfer control unit and transfer terminal cord assembly sub-harness connector ● Transfer sub-harness ● Line pressure switch <p>Refer to "4WD Solenoid Valve, Clutch Pressure Switch and Line Pressure Switch", "COMPONENT INSPECTION", TF-148.</p>

5	CHECK INPUT SIGNAL	<p>⊗ Without CONSULT-II</p> <ol style="list-style-type: none"> 1. Turn ignition switch to "OFF" position. 2. Disconnect transfer control unit harness connector. 3. Check continuity between transfer control unit harness connector terminal 35 and body ground. <p style="color: blue;">After the vehicle has been left for at least 5 minutes in a room temperature with ignition switch "OFF": No continuity should exist.</p> <p style="color: blue;">With ignition switch in "ON", 4WD shift switch in "AUTO" or "4H" and A/T selector lever in "D": Continuity should exist.</p> <div style="text-align: center; margin: 10px 0;">  <p>Transfer control unit connector</p> </div> <div style="text-align: center; margin: 10px 0;">  <p>4WD shift switch</p> </div> <p style="text-align: center; margin-top: 10px;">OK or NG</p>	<p>SMT152E</p> <p>SMT849D</p>
OK	▶	GO TO 6.	
NG	▶	<p>Check the following.</p> <ul style="list-style-type: none"> ● Continuity between transfer control unit and transfer terminal cord assembly sub-harness connector ● Transfer sub-harness ● Line pressure switch <p>Refer to "4WD Solenoid Valve, Clutch Pressure Switch and Line Pressure Switch", "COMPONENT INSPECTION", TF-148.</p>	

6	PERFORM SELF-DIAGNOSIS AGAIN	<ol style="list-style-type: none"> 1. Check hydraulic parts. 2. After driving for a while, perform self-diagnosis again. Refer to "Trouble Diagnosis without CONSULT-II", TF-62. <p style="text-align: center;">OK or NG</p>	
OK	▶	INSPECTION END	
NG	▶	<ol style="list-style-type: none"> 1. Perform transfer control unit input/output signal inspection. Refer to TF-90. 2. If NG, recheck transfer control unit pin terminals for damage or loose connection with harness connector. 	

Diagnostic Procedure

NATF0027

1	CHECK INPUT SIGNAL
WITHOUT CONSULT-II	▶ GO TO 2.

2	CHECK INPUT SIGNAL
<p>⊗ Without CONSULT-II</p> <ol style="list-style-type: none"> 1. Turn ignition switch to "OFF" position. 2. Disconnect ABS control unit harness connector. 3. Disconnect ABS control unit and transfer control unit harness connectors. 4. Check continuity between transfer control unit harness connector terminal 32 and ABS control unit harness connector terminal 9. <p>Continuity should exist.</p> <ol style="list-style-type: none"> 5. Check continuity between transfer control unit harness connector terminal 32, ABS control unit harness connector terminal 9 and body ground. <p>No continuity should exist.</p>	
<p style="text-align: right;">SMT793DB</p> <p style="text-align: center;">OK or NG</p>	
OK	▶ GO TO 3.
NG	▶ Repair or replace harness or connector between ABS control unit and transfer control unit.

3	CHECK COMMUNICATION LINE
<p>Check communication line between ABS control unit and transfer control unit. (Refer to BR-147, "8. Vehicle vibrates excessively when ABS is operating".)</p> <p style="text-align: center;">OK or NG</p>	
OK	▶ GO TO 4.
NG	▶ Check, repair or replace faulty parts.

GI
MA
EM
LC
EC
FE
CL
MT
AT
TF
PD
AX
SU
BR
ST
RS
BT
HA
SC
EL
IDX

ABS OPERATION SIGNAL (WITHOUT VDC)

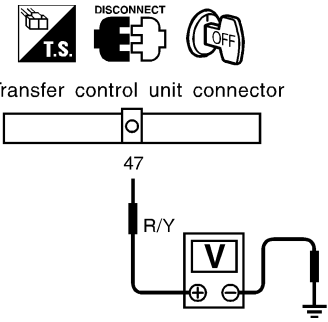
ATX14A

Diagnostic Procedure (Cont'd)

4	PERFORM SELF-DIAGNOSIS AGAIN
After driving for a while, perform self-diagnosis again. Refer to "Trouble Diagnosis without CONSULT-II", TF-62.	
OK or NG	
OK	▶ INSPECTION END
NG	▶ 1. Perform transfer control unit input/output signal inspection. Refer to "TRANSFER CONTROL UNIT INSPECTION TABLE", "TROUBLE DIAGNOSIS — GENERAL DESCRIPTION", TF-90. 2. If NG, recheck transfer control unit pin terminals for damage or loose connection with harness connector.

Diagnostic Procedure

NATF0028

1	CHECK TRANSFER CONTROL UNIT POWER SOURCE	
<p>1. Turn ignition switch to "OFF" position and perform self-diagnosis again. Refer to "Trouble Diagnosis without CONSULT-II", TF-62 and "Trouble Diagnosis with CONSULT-II", TF-65.</p> <p>2. Turn ignition switch to "OFF" position.</p> <p>3. Disconnect transfer control unit harness connector.</p> <p>4. Check voltage between transfer control unit harness connector terminal 47 and body ground.</p> <p>Voltage: Battery voltage</p> <div style="text-align: center;">  <p>Transfer control unit connector</p> <p>47</p> <p>R/Y</p> <p>V</p> <p>⊕ ⊖</p> <p>⊕ ⊖</p> <p>OK or NG</p> </div> <p style="text-align: right;">SMT794D</p>		
OK	▶	GO TO 2.
NG	▶	<p>Check the following.</p> <ul style="list-style-type: none"> ● No. 24 fuse (7.5A) ● Harness continuity between fuse and transfer control unit

2	PERFORM SELF-DIAGNOSIS AGAIN	
<p>After driving for a while, perform self-diagnosis again. Refer to "Trouble Diagnosis without CONSULT-II", TF-62 and "Trouble Diagnosis with CONSULT-II", TF-65.</p> <p style="text-align: center;">OK or NG</p>		
OK	▶	INSPECTION END
NG	▶	<p>1. Perform transfer control unit input/output signal inspection. Refer to "TRANSFER CONTROL UNIT INSPECTION TABLE", "TROUBLE DIAGNOSIS — GENERAL DESCRIPTION", TF-90.</p> <p>2. If NG, recheck transfer control unit pin terminals for damage or loose connection with harness connector.</p>

GI
MA
EM
LC
EC
FE
CL
MT
AT
TF
PD
AX
SU
BR
ST
RS
BT
HA
SC
EL
IDX

Diagnostic Procedure

NATF0064

1	SHIFT ACTUATOR	
Refer to "Actuator & Actuator Position Switch", "COMPONENT INSPECTION", TF-152.		
OK or NG		
OK	▶	GO TO 3.
NG	▶	GO TO 2.

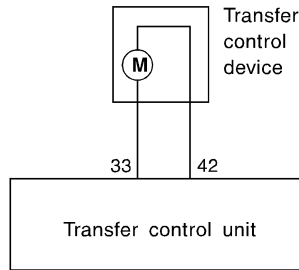
2	CHECK POWER SOURCE	
SMT825DA		
<ol style="list-style-type: none"> 1. Disconnect transfer control device terminal. 2. Turn ignition switch to "ON". (Do not start engine.) 3. Check voltage between transfer control device harness connector 3 (or 4) and body ground while 4WD shift switch is set from 4H to 4LO (or from 4LO to 4H). Voltage: Battery voltage 		
OK or NG		
OK	▶	Repair or replace actuator.
NG	▶	<ol style="list-style-type: none"> 1. Recheck the following. <ul style="list-style-type: none"> ● Continuity between ignition switch and transfer HI & LOW relays ● Ignition switch and No. 3 fuse (20A) ● Continuity between transfer shift HI & LOW relays and transfer control device 2. If NG, repair or replace damaged part.

3	CHECK INPUT SIGNAL	
WITH CONSULT-II	▶	GO TO 4.
WITHOUT CONSULT-II	▶	GO TO 5.

GI
MA
EM
LC
EC
FE
CL
MT
AT
TF
PD
AX
SU
BR
ST
RS
BT
HA
SC
EL
IDX

4 CHECK INPUT SIGNAL
With CONSULT-II

1. Start engine (idling).
2. Select "SELF-DIAG RESULTS" in Select Diag Mode.
3. Read out self-diagnostic result.



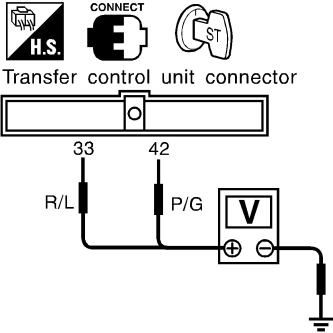
SMT826D

SELF-DIAG RESULTS
DTC RESULTS
NO DTC IS DETECTED. FURTHER TESTING MAY BE REQUIRED.

SMT978D

OK or NG

OK	▶	GO TO 7.
NG	▶	GO TO 6.

5	CHECK INPUT SIGNAL													
<p>⊗ Without CONSULT-II</p> <ol style="list-style-type: none"> 1. Start engine (idling). 2. Check voltage between transfer control unit harness connector terminal 33 (or 42) and body ground while 4WD shift switch is set from 4H to 4LO (or from 4LO to 4H). 														
 <p style="text-align: center;">Transfer control unit connector</p>														
<p>3. Result</p> <table border="1" style="margin-left: auto; margin-right: auto; border-collapse: collapse;"> <thead> <tr> <th style="width: 15%;">Terminal No.</th> <th style="width: 45%;">Condition</th> <th style="width: 40%;">Voltage</th> </tr> </thead> <tbody> <tr> <td rowspan="2" style="text-align: center;">33</td> <td>While actuator is operating from 4H to 4LO.</td> <td>Battery voltage</td> </tr> <tr> <td>Actuator does not operate.</td> <td>Approx. 0V</td> </tr> <tr> <td rowspan="2" style="text-align: center;">42</td> <td>While actuator is operating from 4LO to 4H.</td> <td>Battery voltage</td> </tr> <tr> <td>Actuator does not operate.</td> <td>Approx. 0V</td> </tr> </tbody> </table>		Terminal No.	Condition	Voltage	33	While actuator is operating from 4H to 4LO.	Battery voltage	Actuator does not operate.	Approx. 0V	42	While actuator is operating from 4LO to 4H.	Battery voltage	Actuator does not operate.	Approx. 0V
Terminal No.	Condition	Voltage												
33	While actuator is operating from 4H to 4LO.	Battery voltage												
	Actuator does not operate.	Approx. 0V												
42	While actuator is operating from 4LO to 4H.	Battery voltage												
	Actuator does not operate.	Approx. 0V												
SMT828D														
MTBL0202														
OK or NG														
OK	▶ GO TO 7.													
NG	▶ GO TO 6.													

6	CHECK HARNESS CONTINUITY BETWEEN TRANSFER CONTROL UNIT AND TRANSFER CONTROL DEVICE
OK or NG	
OK	▶ GO TO 7.
NG	▶ Repair and replace harness connector between transfer control unit and transfer control device.

7	PERFORM SELF-DIAGNOSIS AGAIN
<p>After driving for a while, perform self-diagnosis again. Refer to "Trouble Diagnosis without CONSULT-II", TF-62.</p>	
OK or NG	
OK	▶ INSPECTION END
NG	▶ <ol style="list-style-type: none"> 1. Perform transfer control unit/output signal inspection. Refer to "TRANSFER CONTROL UNIT INSPECTION TABLE", "TROUBLE DIAGNOSIS — GENERAL DESCRIPTION", TF-90. 2. If NG, recheck transfer control unit pin terminals for damage or loose connection with harness connector.

SHIFT ACTUATOR POSITION SWITCH

ATX14A

Diagnostic Procedure


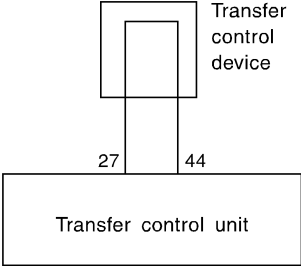
Diagnostic Procedure

NATF0065

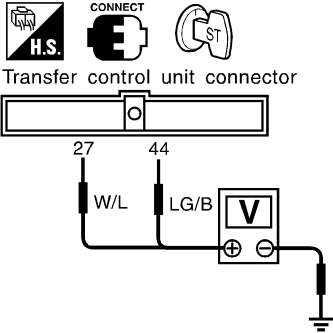
1	SHIFT ACTUATOR POSITION SWITCH	
Refer to "Actuator & Actuator Position Switch", "COMPONENT INSPECTION", TF-152.		
OK or NG		
OK	▶	GO TO 3.
NG	▶	GO TO 2.

2	CHECK POSITION SWITCH	
1. Recheck continuity of shift actuator position switch. Refer to "Actuator & Actuator Position Switch", "COMPONENT INSPECTION", TF-152. Continuity should exist.		
OK or NG		
OK	▶	GO TO 3.
NG	▶	Repair or replace position switch.

3	CHECK INPUT SIGNAL	
WITH CONSULT-II	▶	GO TO 4.
WITHOUT CONSULT-II	▶	GO TO 5.

4	CHECK INPUT SIGNAL						
<p> With CONSULT-II</p> <ol style="list-style-type: none"> Start engine (idling). Select "SELF-DIAG RESULTS" in Select Diag Mode. Read out self-diagnostic result. 							
							
SMT829DA							
<table border="1" style="margin-left: auto; margin-right: auto;"> <tr> <td style="text-align: center;">SELF-DIAG RESULTS</td> </tr> <tr> <td style="text-align: center;">DTC RESULTS</td> </tr> <tr> <td style="text-align: center;">NO DTC IS DETECTED. FURTHER TESTING MAY BE REQUIRED.</td> </tr> <tr> <td style="height: 20px;"> </td> </tr> <tr> <td style="height: 20px;"> </td> </tr> </table>			SELF-DIAG RESULTS	DTC RESULTS	NO DTC IS DETECTED. FURTHER TESTING MAY BE REQUIRED.		
SELF-DIAG RESULTS							
DTC RESULTS							
NO DTC IS DETECTED. FURTHER TESTING MAY BE REQUIRED.							
SMT978D							
OK or NG							
OK	▶	GO TO 7.					
NG	▶	GO TO 6.					

GI
MA
EM
LC
EC
FE
CL
MT
AT
TF
PD
AX
SU
BR
ST
RS
BT
HA
SC
EL
IDX

5	CHECK INPUT SIGNAL													
<p>⊗ Without CONSULT-II</p> <ol style="list-style-type: none"> 1. Start engine (idling). 2. Check voltage transfer control unit harness connector terminal 27 (or 44) and body ground while 4WD shift switch is set from 4H to 4LO (or from 4LO to 4H). 														
														
<p>3. Result</p> <table border="1" style="margin-left: auto; margin-right: auto; border-collapse: collapse;"> <thead> <tr> <th style="text-align: center;">Terminal No.</th> <th style="text-align: center;">Condition</th> <th style="text-align: center;">Voltage</th> </tr> </thead> <tbody> <tr> <td rowspan="2" style="text-align: center;">27</td> <td>4WD shift switch is set to 4H.</td> <td style="text-align: center;">Less than 1V</td> </tr> <tr> <td>4WD shift switch is set except 4H.</td> <td style="text-align: center;">Battery voltage</td> </tr> <tr> <td rowspan="2" style="text-align: center;">44</td> <td>4WD shift switch is set to 4LO.</td> <td style="text-align: center;">Less than 1V</td> </tr> <tr> <td>4WD shift switch is set except 4LO.</td> <td style="text-align: center;">Battery voltage</td> </tr> </tbody> </table>		Terminal No.	Condition	Voltage	27	4WD shift switch is set to 4H.	Less than 1V	4WD shift switch is set except 4H.	Battery voltage	44	4WD shift switch is set to 4LO.	Less than 1V	4WD shift switch is set except 4LO.	Battery voltage
Terminal No.	Condition	Voltage												
27	4WD shift switch is set to 4H.	Less than 1V												
	4WD shift switch is set except 4H.	Battery voltage												
44	4WD shift switch is set to 4LO.	Less than 1V												
	4WD shift switch is set except 4LO.	Battery voltage												
SMT830D														
MTBL0203														
OK or NG														
OK	▶ GO TO 7.													
NG	▶ GO TO 6.													

6	CHECK HARNESS CONTINUITY BETWEEN TRANSFER CONTROL UNIT AND TRANSFER CONTROL DEVICE
OK or NG	
OK	▶ GO TO 7.
NG	▶ Repair and replace harness connector between transfer control unit and transfer control device.

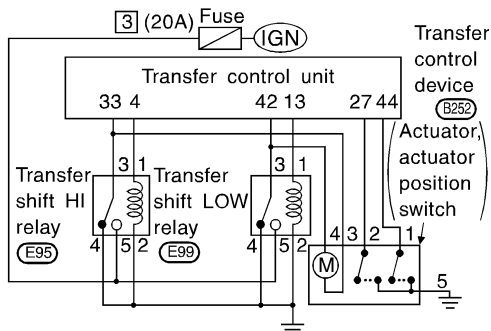
7	PERFORM SELF-DIAGNOSIS AGAIN
<p>After driving for a while, perform self-diagnosis again. Refer to "Trouble Diagnosis without CONSULT-II", TF-62.</p>	
OK or NG	
OK	▶ INSPECTION END
NG	▶ <ol style="list-style-type: none"> 1. Perform transfer control unit/output signal inspection. Refer to "TRANSFER CONTROL UNIT INSPECTION TABLE", "TROUBLE DIAGNOSIS — GENERAL DESCRIPTION", TF-90. 2. If NG, recheck transfer control unit pin terminals for damage or loose connection with harness connector.

Diagnostic Procedure

NATF0066

1	SHIFT ACTUATOR CIRCUIT	
Refer to "Transfer Shift Relay (High & Low)", "COMPONENT INSPECTION" and "Actuator & Actuator Position Switch", "COMPONENT INSPECTION", TF-151, 152.		
OK or NG		
OK	▶	GO TO 2.
NG	▶	Repair or replace transfer shift relay and actuator and actuator position switch.

2	CHECK POWER SOURCE OF TRANSFER SHIFT (HI & LOW) RELAY	
----------	--	--



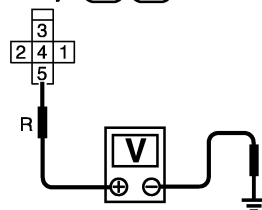
SMT825DA

1. Disconnect transfer control device terminal.
2. Turn ignition switch to "ON" (Do not start engine).
3. Check voltage between transfer shift HI and LOW relay terminal 5 and body ground.

Voltage: Battery voltage



Transfer shift
HI & LOW relays (E95) (E99)

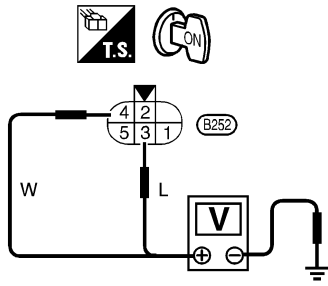


SMT153E

OK or NG

OK	▶	GO TO 3.
NG	▶	Check the following. <ul style="list-style-type: none"> ● Continuity between ignition switch and transfer shift HI & LOW relays ● Check ground circuit between transfer shift HI & LOW relays and body ground. ● Ignition switch and No. 3 fuse (20A)

GI
MA
EM
LC
EC
FE
CL
MT
AT
TF
PD
AX
SU
BR
ST
RS
BT
HA
SC
EL
IDX

3	CHECK POWER SOURCE OF TRANSFER CONTROL DEVICE	
<p>1. Disconnect transfer control device terminal.</p> <p>2. Turn ignition switch to "ON". (Do not start engine.)</p> <p>3. Turn 4WD shift switch from "4H" to "4LO" (or from "4LO" to "4H").</p> <p>4. Check voltage between transfer control device terminal 3 (or 4) and body ground.</p> <p style="color: blue;">Voltage: Battery voltage</p> <div style="text-align: center;">  </div> <p style="text-align: right;">SMT832D</p> <p style="text-align: center;">OK or NG</p>		
OK	▶	GO TO 4.
NG	▶	<p>Check the following.</p> <ul style="list-style-type: none"> ● Harness and connector from transfer shift HI and LOW relays to transfer control device harness terminal ● Ground circuit between transfer control device and body ground.

4	CHECK INPUT SIGNAL	
WITH CONSULT-II	▶	GO TO 5.
WITHOUT CONSULT-II	▶	GO TO 6.

SHIFT ACTUATOR CIRCUIT

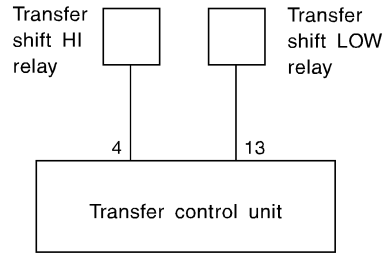
ATX14A

Diagnostic Procedure (Cont'd)

GI
MA
EM
LC
EC
FE
CL
MT
AT
TF
PD
AX
SU
BR
ST
RS
BT
HA
SC
EL
IDX

5 CHECK INPUT SIGNAL

- Ⓟ **With CONSULT-II**
1. Start engine (idling).
 2. Select "SELF-DIAG RESULTS" in Select Diag Mode.
 3. Read out self-diagnostic result.



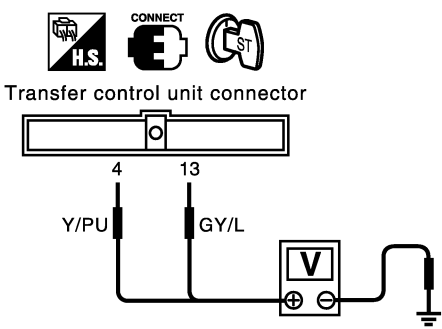
SMT835D

SELF-DIAG RESULTS
DTC RESULTS
NO DTC IS DETECTED. FURTHER TESTING MAY BE REQUIRED.

SMT978D

OK or NG

OK	▶	GO TO 8.
NG	▶	GO TO 7.

6	CHECK INPUT SIGNAL													
<p>⊗ Without CONSULT-II</p> <ol style="list-style-type: none"> 1. Start engine (idling). 2. Check voltage between transfer control unit harness connector terminal 4 (or 13) and body ground while 4WD shift switch is set from 4H to 4LO (or from 4LO to 4H). 														
 <p style="text-align: center;">Transfer control unit connector</p>														
<p>3. Result</p> <table border="1" style="margin-left: auto; margin-right: auto; border-collapse: collapse;"> <thead> <tr> <th style="text-align: center;">Terminal No.</th> <th style="text-align: center;">Condition</th> <th style="text-align: center;">Voltage</th> </tr> </thead> <tbody> <tr> <td rowspan="2" style="text-align: center;">4</td> <td>While actuator is operating from 4H to 4LO.</td> <td>Battery voltage</td> </tr> <tr> <td>Actuator does not operate.</td> <td>Less than 1V</td> </tr> <tr> <td rowspan="2" style="text-align: center;">13</td> <td>While actuator is operating from 4LO to 4H.</td> <td>Battery voltage</td> </tr> <tr> <td>Actuator does not operate.</td> <td>Approx. 0V</td> </tr> </tbody> </table>		Terminal No.	Condition	Voltage	4	While actuator is operating from 4H to 4LO.	Battery voltage	Actuator does not operate.	Less than 1V	13	While actuator is operating from 4LO to 4H.	Battery voltage	Actuator does not operate.	Approx. 0V
Terminal No.	Condition	Voltage												
4	While actuator is operating from 4H to 4LO.	Battery voltage												
	Actuator does not operate.	Less than 1V												
13	While actuator is operating from 4LO to 4H.	Battery voltage												
	Actuator does not operate.	Approx. 0V												
SMT154E														
MTBL0516														
OK or NG														
OK	▶ GO TO 8.													
NG	▶ GO TO 7.													

7	CHECK HARNESS CONTINUITY BETWEEN TRANSFER CONTROL UNIT AND TRANSFER CONTROL DEVICE
OK or NG	
OK	▶ GO TO 8.
NG	▶ Repair and replace harness connector between transfer control unit and transfer control device.

8	PERFORM SELF-DIAGNOSIS AGAIN
<p>After driving for a while, perform self-diagnosis again. Refer to "Trouble Diagnosis without CONSULT-II", TF-62.</p>	
OK or NG	
OK	▶ INSPECTION END
NG	▶ <ol style="list-style-type: none"> 1. Perform transfer control unit/output signal inspection. Refer to "TRANSFER CONTROL UNIT INSPECTION TABLE", "TROUBLE DIAGNOSIS — GENERAL DESCRIPTION", TF-90. 2. If NG, recheck transfer control unit pin terminals for damage or loose connection with harness connector.

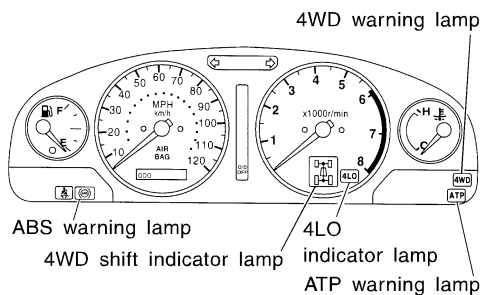
Symptom 1. 4WD Shift Indicator Lamp Does Not Turn ON

NATF0029

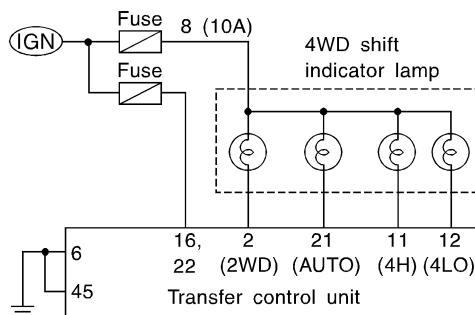
SYMPTOM: Although ignition switch is turned "ON", all the 4WD shift indicator lamps do not turn ON for 1 second.

GI
MA
EM
LC
EC
FE
CL
MT
AT
TF
PD
AX
SU
BR
ST
RS
BT
HA
SC
EL
IDX

1 CHECK TRANSFER CONTROL UNIT POWER SOURCE



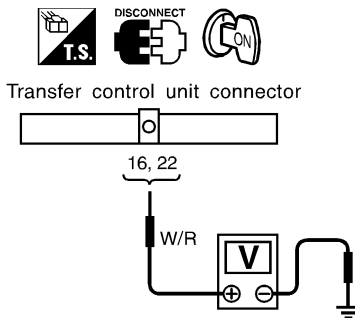
SMT994D



SMT860D

1. Turn ignition switch to "OFF" position and disconnect transfer control unit harness connector.
2. Turn ignition switch to "ON" position. (Do not start engine.)
3. Check voltage between transfer control unit harness connector terminals 16, 22 and body ground.

Voltage: Battery voltage

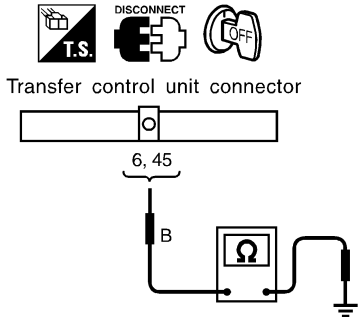


SMT796D

OK or NG

OK	▶	GO TO 2.
NG	▶	<p>Check the following.</p> <ul style="list-style-type: none"> ● Continuity between ignition switch and transfer control unit ● Ignition switch and No. 18 fuse (10A)

Symptom 1. 4WD Shift Indicator Lamp Does Not Turn ON (Cont'd)

2	CHECK TRANSFER CONTROL UNIT GROUND CIRCUIT	
<p>1. Turn ignition switch to "OFF" position. 2. Disconnect transfer control unit harness connector. 3. Measure resistance between transfer control unit harness connector terminals 6, 45 and body ground. Resistance: 0Ω</p>		
 <p style="text-align: right;">SMT797D</p>		
OK or NG		
OK	▶	GO TO 3.
NG	▶	Check continuity between transfer control unit and body ground.

3	CHECK PROCEDURES FROM THE BEGINNING AGAIN	
Check again.		
OK or NG		
OK	▶	INSPECTION END
NG	▶	<ol style="list-style-type: none"> 1. Perform transfer control unit input/output signal inspection. Refer to "TRANSFER CONTROL UNIT INSPECTION TABLE", "TROUBLE DIAGNOSIS — GENERAL DESCRIPTION", TF-90. 2. If NG, recheck transfer control unit pin terminals for damage or loose connection with harness connector.

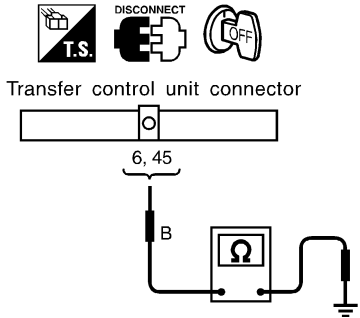
Symptom 2. 4WD Warning Lamp Does Not Turn ON

SYMPTOM: Although ignition switch is turned "ON", 4WD warning lamp does not turn ON. =NATF0030

1	CHECK TRANSFER CONTROL UNIT POWER SOURCE
SMT799D	
<ol style="list-style-type: none"> 1. Turn ignition switch to "OFF" position and disconnect transfer control unit harness connector. 2. Turn ignition switch to "ON" position. (Do not start engine.) 3. Check voltage between transfer control unit harness connector terminals 16, 22 and body ground. <p style="color: blue;">Voltage: Battery voltage</p> <div style="text-align: center;"> <p>Transfer control unit connector</p> <p>16, 22</p> <p>W/R</p> <p>V</p> </div> <p style="text-align: center;">OK or NG</p>	
SMT800D	
OK	▶ GO TO 2.
NG	▶ Check the following. <ul style="list-style-type: none"> ● Continuity between ignition switch and transfer control unit ● Ignition switch and No. 18 fuse (10A)

GI
MA
EM
LC
EC
FE
CL
MT
AT
TF
PD
AX
SU
BR
ST
RS
BT
HA
SC
EL
IDX

Symptom 2. 4WD Warning Lamp Does Not Turn ON (Cont'd)

2	CHECK TRANSFER CONTROL UNIT GROUND CIRCUIT	
<p>1. Turn ignition switch to "OFF" position. 2. Disconnect transfer control unit harness connector. 3. Measure resistance between transfer control unit harness connector terminals 6, 45 and body ground.</p> <p style="color: blue;">Resistance: 0Ω</p> <div style="text-align: center;">  <p style="font-size: small;">Transfer control unit connector</p> <p style="font-size: small;">6, 45</p> <p style="font-size: small;">B</p> <p style="font-size: small;">Ω</p> <p style="font-size: small;">SMT803D</p> </div> <p style="text-align: center;">OK or NG</p>		
OK	▶	GO TO 3.
NG	▶	Check continuity between transfer control unit and body ground.

3	CHECK 4WD WARNING LAMP CIRCUIT	
<p>Check the following.</p> <ul style="list-style-type: none"> ● 4WD warning lamp ● Continuity between ignition switch and 4WD warning lamp ● Continuity between 4WD warning lamp and transfer control unit <p style="text-align: center;">OK or NG</p>		
OK	▶	GO TO 4.
NG	▶	<ul style="list-style-type: none"> ● Repair or replace harness or connector. ● Replace 4WD warning lamp.

4	CHECK PROCEDURES FROM THE BEGINNING AGAIN	
<p>Check again.</p> <p style="text-align: center;">OK or NG</p>		
OK	▶	INSPECTION END
NG	▶	<ol style="list-style-type: none"> 1. Perform transfer control unit input/output signal inspection. Refer to "TRANSFER CONTROL UNIT INSPECTION TABLE", "TROUBLE DIAGNOSIS — GENERAL DESCRIPTION", TF-90. 2. If NG, recheck transfer control unit pin terminals for damage or loose connection with harness connector.

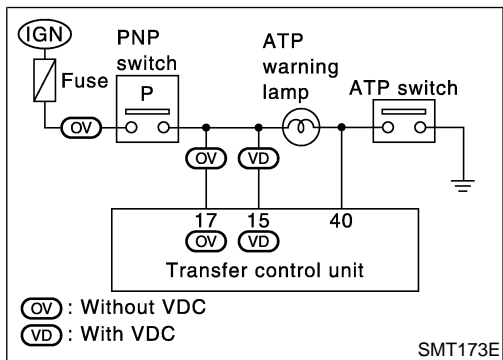
Symptom 3. 4WD Shift Indicator Lamp Does Not Turn OFF

NATF0031

SYMPTOM: When 4WD shift switch is set from “4H” to “4LO”, all the 4WD shift indicator lamps do not turn OFF.

1	CHECK ATP SWITCH CIRCUIT
SMT994D	
Check ATP switch circuit. Refer to “Diagnostic Procedure”, “ATP SWITCH, WAIT DETECTION SWITCH AND NEUTRAL-4LO SWITCH”, TF-149.	
OK or NG	
OK	▶ GO TO 2.
NG	▶ Check, repair or replace faulty parts.

2	CHECK PROCEDURE FROM THE BEGINNING AGAIN
Check again.	
OK or NG	
OK	▶ INSPECTION END
NG	▶ Recheck each connector's pin terminals for damage or loose connection.



Symptom 4. ATP Warning Lamp Does Not Turn ON

NATF0032

SYMPTOM: When 4WD shift switch is set from “4H” to “4LO” with A/T selector lever in “P” position, ATP warning lamp does not turn ON.

1	CHECK ATP SWITCH CIRCUIT
Check ATP switch circuit. Refer to “Diagnostic Procedure”, “ATP SWITCH, WAIT DETECTION SWITCH AND NEUTRAL-4LO SWITCH”, TF-149.	
OK or NG	
OK	▶ GO TO 2.
NG	▶ Check, repair or replace faulty parts.

TROUBLE DIAGNOSES FOR SYMPTOMS

ATX14A

Symptom 4. ATP Warning Lamp Does Not Turn ON (Cont'd)

2	CHECK FOLLOWING ITEMS
Check the following. <ul style="list-style-type: none">● ATP warning lamp● Continuity between "TFCU" terminal 15 and ATP warning lamp (With VDC)● Continuity between PNP ("P" position) switch terminal 7 and ATP warning lamp (Without VDC)● Continuity between ATP warning lamp and ATP switch	
OK or NG	
OK	▶ GO TO 4. (With VDC)/GO TO 3. (Without VDC)
NG	▶ Repair or replace ATP warning lamp, harness or connector.

3	CHECK PNP SWITCH CIRCUIT (Without VDC)
Check PNP switch circuit. Refer to AT-105, "DTC P0705 Park/Neutral Position Switch".	
OK or NG	
OK	▶ GO TO 4.
NG	▶ Check, repair or replace faulty parts.

4	CHECK PROCEDURES FROM THE BEGINNING AGAIN
Check again.	
OK or NG	
OK	▶ INSPECTION END
NG	▶ Recheck each connector's pin terminals for damage or loose connection.

Symptom 5. 4LO Indicator Lamp Does Not Turn ON

=NATF0033

SYMPTOM: When 4WD shift switch is set from "4H" to "4LO" position, 4LO indicator lamp does not turn ON.

1	CHECK TRANSFER CONTROL UNIT POWER SUPPLY CIRCUIT
<p style="text-align: right;">SMT994D</p>	
<p style="text-align: right;">SMT851D</p>	
<p style="text-align: right;">SMT979D</p>	
<ol style="list-style-type: none"> 1. Disconnect battery negative terminal (-), then transfer control unit connector. 2. Connect battery negative terminal (-) and turn ignition switch "ON" (with engine stopped). 3. Check voltage across transfer control unit body-side connector terminals 47, 16 and body ground. <p style="text-align: center; color: blue;">Voltage: Battery voltage</p> <p style="text-align: center;">OK or NG</p>	
OK	▶ GO TO 2.
NG	▶ Check the following. <ul style="list-style-type: none"> ● Continuity between battery and transfer control unit ● Ignition switch (Refer to EL-11, "Power Supply Routing".) ● No. 24 fuse (7.5A), No. 8 fuse (10A) and No. 18 fuse (10A)

GI
MA
EM
LC
EC
FE
CL
MT
AT
TF
PD
AX
SU
BR
ST
RS
BT
HA
SC
EL
IDX

TROUBLE DIAGNOSES FOR SYMPTOMS

ATX14A

Symptom 5. 4LO Indicator Lamp Does Not Turn ON (Cont'd)

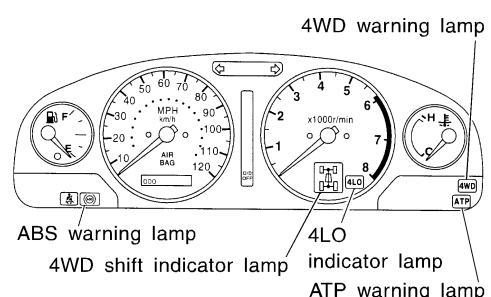
2	CHECK TRANSFER CONTROL UNIT GROUND CIRCUIT	
<p>1. Turn ignition switch "OFF", and disconnect transfer control unit connector. 2. Check for continuity between transfer control unit body-side connector terminals 6, 45 and body ground. Continuity should exist.</p> <p style="text-align: center;">OK or NG</p>		
OK	▶	GO TO 3.
NG	▶	Check the following. <ul style="list-style-type: none"> ● Continuity between transfer control unit and body ground

3	CHECK 4LO INDICATOR LAMP CIRCUIT	
<p>Disconnect battery negative terminal (-) and check the following items:</p> <ol style="list-style-type: none"> 1. Check condition of 4LO indicator lamp. 2. Check continuity between battery and 4LO indicator lamp. 3. Check continuity between 4LO indicator lamp and transfer control unit connector terminal 12. 4. Check condition of ATP switch. 5. Check condition of neutral-4LO switch. 6. Check continuity between neutral-4LO switch ground terminal 6 and body ground. <p style="text-align: center;">OK or NG</p>		
OK	▶	GO TO 4.
NG	▶	Check the following. <ul style="list-style-type: none"> ● 4LO indicator lamp ● Neutral-4LO switch Refer to "ATP Switch, Neutral-4LO Switch and Wait Detection Switch", "COMPONENT INSPECTION", TF-149.

4	CHECK PROCEDURES FROM THE BEGINNING	
<p>Check again.</p> <p style="text-align: center;">OK or NG</p>		
OK	▶	INSPECTION END
NG	▶	<ol style="list-style-type: none"> 1. Perform transfer control unit input/output signal inspection. Refer to "TRANSFER CONTROL UNIT INSPECTION TABLE", "TROUBLE DIAGNOSIS — GENERAL DESCRIPTION", TF-90. 2. If NG, recheck transfer control unit pin terminals for damage or loose connection with harness connector.

Symptom 6. 4WD Shift Indicator Lamp Does Not Indicate "4H"

SYMPTOM: When 4WD shift switch is set to "4H", 4WD shift indicator lamp does not indicate "4H". NATF0034

1	CHECK 4WD WARNING LAMP	
 <p style="text-align: right; margin-right: 50px;">4WD warning lamp</p> <p style="text-align: center;">ABS warning lamp 4WD shift indicator lamp 4LO indicator lamp ATP warning lamp</p>		
SMT994D		
Is 4WD warning lamp turned ON?		
Yes or No		
Yes	▶	Refer to "Trouble Diagnosis without CONSULT-II", TF-62.
No	▶	GO TO 2.

2	CHECK FOLLOWING ITEMS	
Check the following. <ul style="list-style-type: none"> ● Neutral-4LO switch circuit. Refer to TF-113. ● Wait detection switch circuit. Refer to TF-113. ● ATP switch circuit. Refer to TF-113. 		
OK or NG		
OK	▶	GO TO 3.
NG	▶	Check, repair or replace faulty parts.

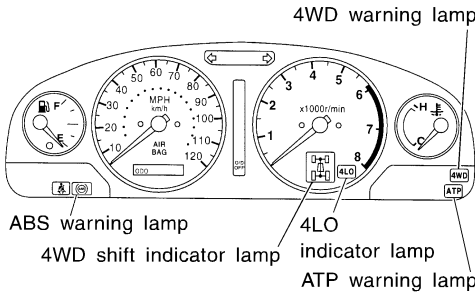
3	CHECK PROCEDURES FROM THE BEGINNING AGAIN	
Check again.		
OK or NG		
OK	▶	INSPECTION END
NG	▶	Recheck each connector's pin terminals for damage or loose connection.

GI
MA
EM
LC
EC
FE
CL
MT
AT
TF
PD
AX
SU
BR
ST
RS
BT
HA
SC
EL
IDX

Symptom 7. 4WD Shift Indicator Lamp Repeats Flickering

=NATF0035

SYMPTOM: 4WD shift indicator lamp keeps flickering.

1	CHECK 4WD SHIFT INDICATOR LAMP	
		
SMT994D		
<p>1. Set 4WD shift switch to "2WD" position. 2. Move vehicle forward and backward. Or drive straight increasing or decreasing speed under 20 km/h (12 MPH). 3. Does 4WD shift indicator lamp keep flickering?</p>		
Yes or No		
Yes	▶	GO TO 2.
No	▶	INSPECTION END

2	CHECK TIGHT CORNER BRAKING SYMPTOM	
Drive vehicle at speed under 20 km/h (12 MPH), turning steering wheel to the limit. Does tight corner braking symptom occur?		
Yes or No		
Yes	▶	GO TO 3.
No	▶	GO TO 4.

3	CHECK 4WD SHIFT INDICATOR LAMP	
Does the 4WD shift indicator lamp keep flickering when the front wheels are jacked up?		
Yes or No		
Yes	▶	Check transfer unit operating system.
No	▶	Check tires.

4	CHECK 4WD WARNING LAMP	
Does 4WD warning lamp flicker? (4WD shift indicator lamp is turned OFF.)		
Yes or No		
Yes	▶	Perform self-diagnoses. Refer to "Trouble Diagnosis without CONSULT-II", TF-62.
No	▶	GO TO 5.



5	CHECK 4WD SHIFT INDICATOR LAMP	
Does 4WD shift indicator lamp keep flickering?		
Yes or No		
Yes	▶	Check again.
No	▶	INSPECTION END

Symptom 8. Tight Corner Braking Symptom

NATF0036

SYMPTOM: Tight corner braking symptom occurs. (Hydraulic system failure)

GI
MA
EM
LC
EC
FE
CL
MT
AT
TF
PD
AX
SU
BR
ST
RS
BT
HA
SC
EL
IDX

1	CHECK INPUT SIGNAL																							
<p> With CONSULT-II</p> <p>1. Select "ECU INPUT SIGNALS" in Data Monitor. 2. Read out the ON/OFF status of "CLUTCH PRES SW".</p>																								
<table border="1" style="margin: auto;"> <thead> <tr> <th colspan="2">DATA MONITOR</th> </tr> <tr> <th>MONITOR</th> <th>NO DTC</th> </tr> </thead> <tbody> <tr><td>4L SWITCH</td><td>OFF</td></tr> <tr><td>N POSI SW TF</td><td>OFF</td></tr> <tr><td>LINE PRES SW</td><td>OFF</td></tr> <tr><td>CL PRES SW</td><td>OFF</td></tr> <tr><td>ATP SWITCH</td><td>OFF</td></tr> <tr><td>N POSI SW AT</td><td>OFF</td></tr> <tr><td>R POSI SW AT</td><td>OFF</td></tr> <tr><td>P POSI SW AT</td><td>ON</td></tr> <tr><td>CLOSED THL/SW</td><td>ON</td></tr> </tbody> </table>			DATA MONITOR		MONITOR	NO DTC	4L SWITCH	OFF	N POSI SW TF	OFF	LINE PRES SW	OFF	CL PRES SW	OFF	ATP SWITCH	OFF	N POSI SW AT	OFF	R POSI SW AT	OFF	P POSI SW AT	ON	CLOSED THL/SW	ON
DATA MONITOR																								
MONITOR	NO DTC																							
4L SWITCH	OFF																							
N POSI SW TF	OFF																							
LINE PRES SW	OFF																							
CL PRES SW	OFF																							
ATP SWITCH	OFF																							
N POSI SW AT	OFF																							
R POSI SW AT	OFF																							
P POSI SW AT	ON																							
CLOSED THL/SW	ON																							
SMT977D																								
<p> Without CONSULT-II</p> <p>Check voltage between transfer control unit harness connector terminal 34 and body ground. Refer to "TRANSFER CONTROL UNIT INSPECTION TABLE", "TROUBLE DIAGNOSIS — GENERAL DESCRIPTION", TF-90.</p>																								
OK or NG																								
OK	▶	Disassemble transfer unit and check the following.																						
		<ul style="list-style-type: none"> ● Control valve assembly ● 4WD solenoid valve ● 2-4WD shift solenoid valve ● Clutch piston ● Clutch assembly 																						
NG	▶	GO TO 2.																						



2	CHECK CLUTCH PRESSURE SWITCH CIRCUIT	
<p>Check clutch pressure switch circuit. Refer to "Diagnostic Procedure", "CLUTCH PRESSURE SWITCH", TF-117.</p>		
OK or NG		
OK	▶	GO TO 3.
NG	▶	Check, repair or replace faulty parts.

3	CHECK PROCEDURES FROM THE BEGINNING AGAIN	
<p>Check again.</p>		
OK or NG		
OK	▶	INSPECTION END
NG	▶	Recheck each connector's pin terminals for damage or loose connection.

Symptom 9. 4WD System Does Not Operate

=NATF0037

**SYMPTOM: The vehicle cannot be put into 4WD mode.
(Hydraulic system failure)**

1	CHECK INPUT SIGNAL																							
<p> With CONSULT-II</p> <p>1. Select "ECU INPUT SIGNALS" in Data Monitor. 2. Read out the ON/OFF status of "CLUTCH PRES SW".</p>																								
<table border="1"> <thead> <tr> <th colspan="2">DATA MONITOR</th> </tr> <tr> <th>MONITOR</th> <th>NO DTC</th> </tr> </thead> <tbody> <tr><td>4L SWITCH</td><td>OFF</td></tr> <tr><td>N POSI SW TF</td><td>OFF</td></tr> <tr><td>LINE PRES SW</td><td>OFF</td></tr> <tr><td>CL PRES SW</td><td>OFF</td></tr> <tr><td>ATP SWITCH</td><td>OFF</td></tr> <tr><td>N POSI SW AT</td><td>OFF</td></tr> <tr><td>R POSI SW AT</td><td>OFF</td></tr> <tr><td>P POSI SW AT</td><td>ON</td></tr> <tr><td>CLOSED THL/SW</td><td>ON</td></tr> </tbody> </table>			DATA MONITOR		MONITOR	NO DTC	4L SWITCH	OFF	N POSI SW TF	OFF	LINE PRES SW	OFF	CL PRES SW	OFF	ATP SWITCH	OFF	N POSI SW AT	OFF	R POSI SW AT	OFF	P POSI SW AT	ON	CLOSED THL/SW	ON
DATA MONITOR																								
MONITOR	NO DTC																							
4L SWITCH	OFF																							
N POSI SW TF	OFF																							
LINE PRES SW	OFF																							
CL PRES SW	OFF																							
ATP SWITCH	OFF																							
N POSI SW AT	OFF																							
R POSI SW AT	OFF																							
P POSI SW AT	ON																							
CLOSED THL/SW	ON																							
SMT977D																								
<p> Without CONSULT-II</p> <p>Check voltage between transfer control unit harness connector terminal 34 and body ground. Refer to "TRANSFER CONTROL UNIT INSPECTION TABLE", "TROUBLE DIAGNOSIS — GENERAL DESCRIPTION", TF-90.</p>																								
OK or NG																								
OK	▶	<p>1. Check transfer fluid level. 2. Disassemble transfer unit and check the following.</p> <ul style="list-style-type: none"> ● Transfer motor ● Main oil pump assembly ● Sub-oil pump assembly ● Oil strainer ● Control valve assembly ● 2-4WD shift solenoid valve ● Oil filter element ● Lip seal ● Strainer O-ring ● Main oil pump drive gear ● Seal ring ● D-ring ● Clutch piston ● Clutch assembly 																						
NG	▶	GO TO 2.																						

2	CHECK CLUTCH PRESSURE CIRCUIT	
<p>Check clutch pressure switch circuit. Refer to "Diagnostic Procedure", "CLUTCH PRESSURE SWITCH", TF-117.</p>		
OK or NG		
OK	▶	GO TO 3.
NG	▶	Check, repair or replace faulty parts.

TROUBLE DIAGNOSES FOR SYMPTOMS

ATX14A

Symptom 9. 4WD System Does Not Operate (Cont'd)

3	CHECK PROCEDURES FROM THE BEGINNING	
Check again.		
OK or NG		
OK	▶	INSPECTION END
NG	▶	Recheck each connector's pin terminals for damage or loose connection.

GI

MA

EM

LC

EC

FE

CL

MT

AT

TF

PD

AX

SU

BR

ST

RS

BT

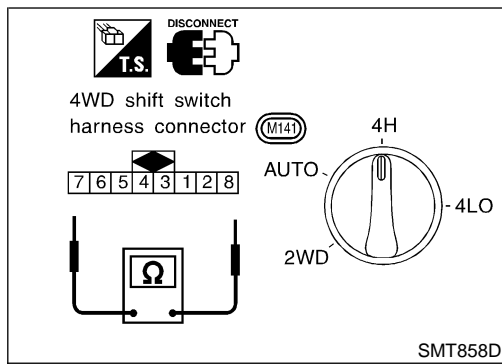
HA

SC

EL

IDX

4WD Shift Switch

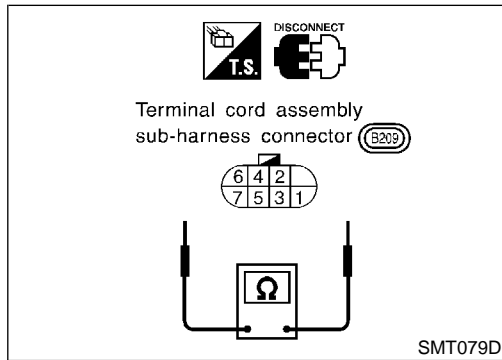


4WD Shift Switch

NATF0038S01

Check continuity between each terminal.

Terminals	Switch position	Continuity
1 - 2	2WD	Yes
	Except 2WD	No
1 - 3, 1 - 4	AUTO	Yes
	Except AUTO	No
1 - 4, 1 - 5	4H	Yes
	Except 4H	No
1 - 4, 1 - 6	4LO	Yes
	Except 4LO	No

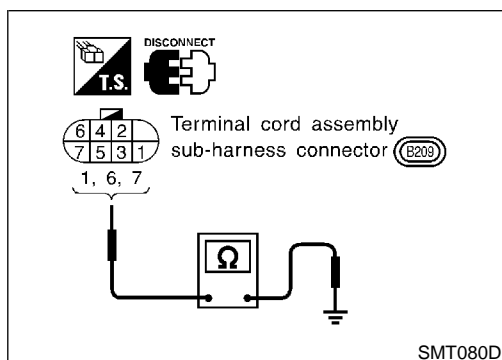


2-4WD Shift Solenoid Valve and Transfer Fluid Temperature Sensor

NATF0038S02

Measure resistance between terminals of transfer terminal cord assembly sub-harness connector located on rear-right of transfer unit.

Component parts	Terminals	Resistance
2-4WD shift solenoid valve	4 - 5	Approx. 20°C (68°F): Approx. 22.8 - 25.2Ω
Transfer fluid temperature sensor	2 - 3	Approx. 20°C (68°F): Approx. 2.5 kΩ Approx. 80°C (176°F): Approx. 0.3 kΩ



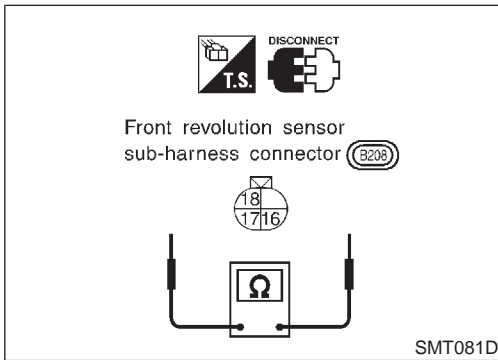
4WD Solenoid Valve, Clutch Pressure Switch and Line Pressure Switch

NATF0038S03

Measure resistance between terminals of transfer terminal cord assembly sub-harness connector located on rear-right of transfer unit.

Component parts	Terminals	Remarks
4WD solenoid valve	6	Approx. 20°C (68°F): Approx. 3.0 - 3.4Ω
Clutch pressure switch	7	In room temperature <ul style="list-style-type: none"> ● 2-4WD shift solenoid valve "OFF": No continuity ● 2-4WD shift solenoid valve and transfer motor "ON": Continuity exists
Line pressure switch	1	In room temperature <ul style="list-style-type: none"> ● Turn ignition switch to "OFF" position and leave vehicle for more than 5 minutes. (OFF): No continuity ● Transfer motor "ON": Continuity exists

GI
MA
EM
LC
EC
FE
CL
MT
AT
TF
PD
AX
SU
BR
ST
RS
BT
HA
SC
EL
IDX

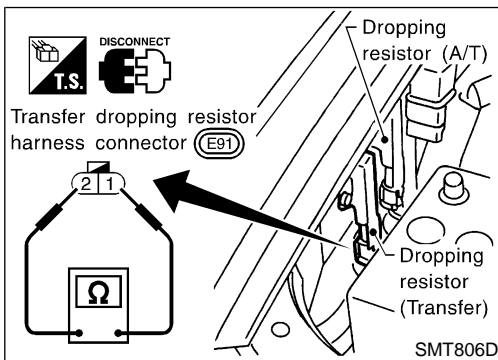


Front Revolution Sensor

NATF0038S04

Measure resistance between terminals of front revolution sensor sub-harness connector located on rear-right of transfer unit.

Terminals	Resistance
16 - 17	500 - 650Ω
18 - 17	No continuity
18 - 16	No continuity

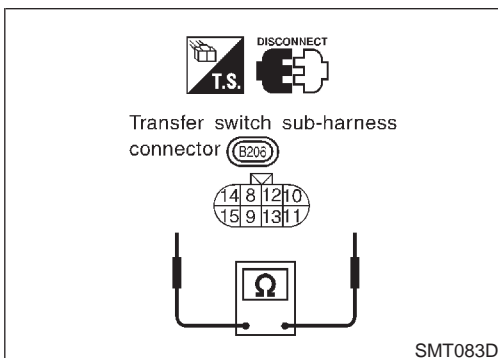


Transfer Dropping Resistor

NATF0038S07

Check resistance between terminals.

Resistance: 11.2 - 12.8 Ω



ATP Switch, Neutral-4LO Switch and Wait Detection Switch

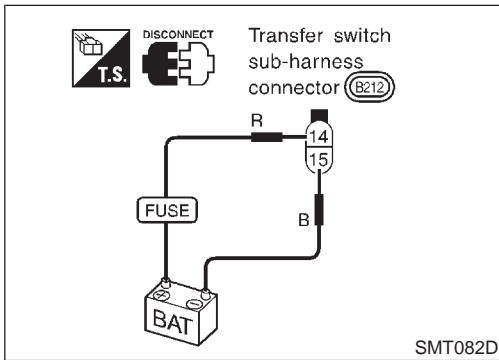
NATF0038S06

Measure resistance between terminals of transfer switch assembly sub-harness connector located on rear-right of transfer unit.

Switch	Terminals	4WD shift switch position		
		4H	(N)	4LO
ATP switch	8 - 9	No continuity	Continuity	No continuity
Neutral-4LO switch	12 - 13	No continuity		Continuity
Wait detection switch	10 - 11	No continuity		Continuity
		(Note) ←-----		

NOTE:

When shifting from "4LO" to "4H", continuity exists while "Wait" function is operating. (No continuity exists when "Wait" function is canceled.)

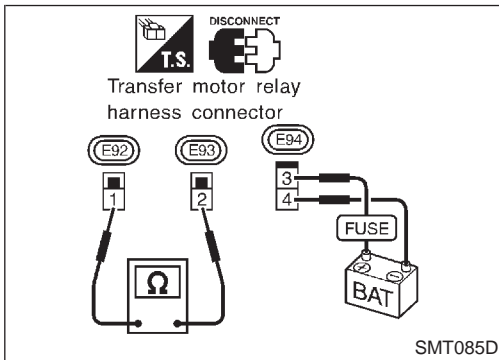


Transfer Motor

Apply battery voltage directly to transfer motor assembly sub-harness connector located on rear-right of transfer unit. (Positive: Terminal 14, Negative: Terminal 15)

Transfer motor should operate.

NATF0038S05

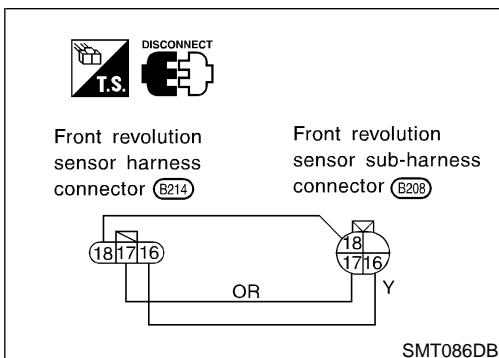


Transfer Motor Relay

1. Apply battery voltage directly to terminals 3 and 4.
2. Check continuity between terminals 1 and 2.

NATF0038S08

Condition	Continuity (1 - 2)
Battery voltage is applied	Yes
No voltage is applied	No



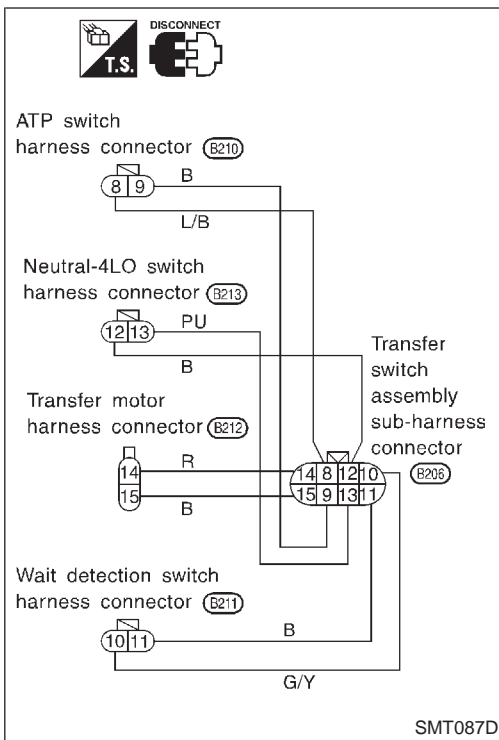
Transfer Sub-harness

FRONT REVOLUTION SENSOR SUB-HARNESS CONNECTOR

Check continuity between terminals shown in the figure.

NATF0038S09

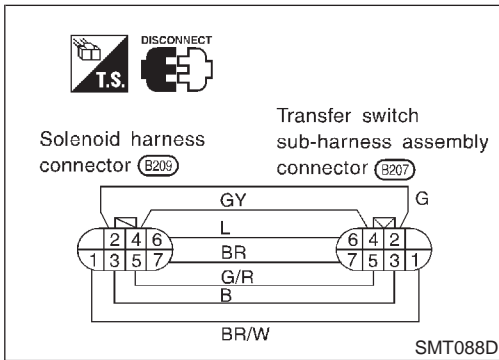
NATF0038S0901



TRANSFER SWITCH ASSEMBLY SUB-HARNESS CONNECTOR

Check continuity between terminals shown in the figure.

NATF0038S0902

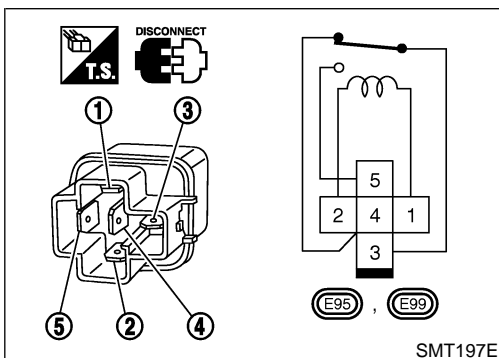


TRANSFER TERMINAL CORD ASSEMBLY SUB-HARNESS CONNECTOR

Check continuity between terminals shown in the figure.
Terminals on solenoid valve

NATF0038S0903

Terminals	Components
6	4WD solenoid valve
4, 5	2-4WD shift solenoid valve
2, 3	Transfer fluid temperature sensor
7	Clutch pressure switch
1	Line pressure switch



Transfer Shift Relay (High & low)

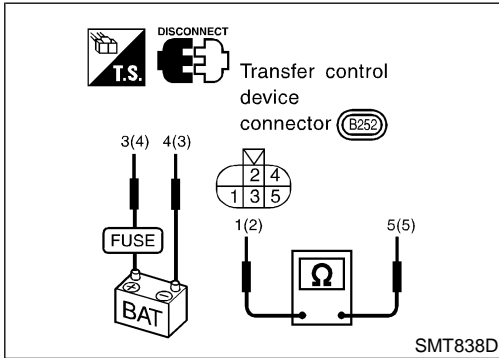
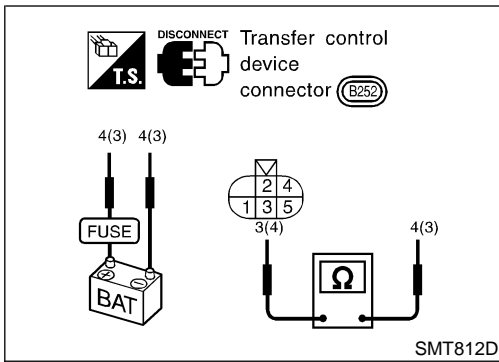
Check continuity between terminals 3 and 4.

NATF0038S10

Condition	Continuity
12V direct current supply between terminals 1 and 2	No
No current supply	Yes

GI
MA
EM
LC
EC
FE
CL
MT
AT
TF
PD
AX
SU
BR
ST
RS
BT
HA
SC
EL
IDX

Actuator & Actuator Position Switch



Actuator & Actuator Position Switch

NATF0038S11

ACTUATOR

NATF0038S1101

Operation & resistance check

- Apply battery voltage directly to actuator assembly.

Operating check	Battery positive terminal	Battery negative terminal
1	4	3
2	3	4
Check	Approx. 0.2Ω (When the motor is not operated.)	

ACTUATOR POSITION SWITCH

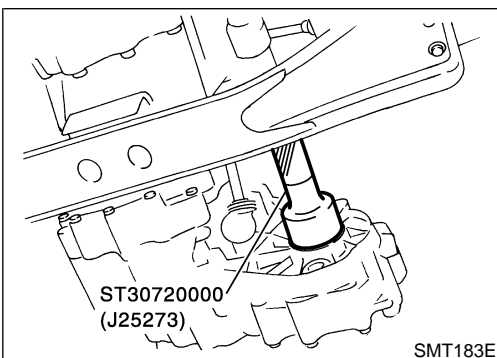
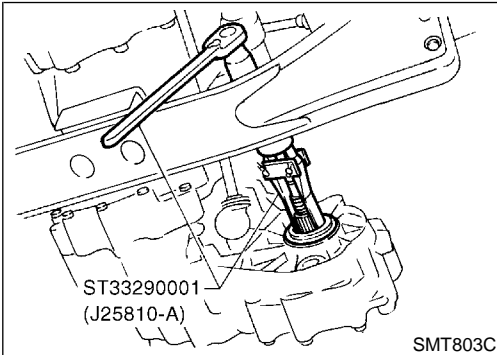
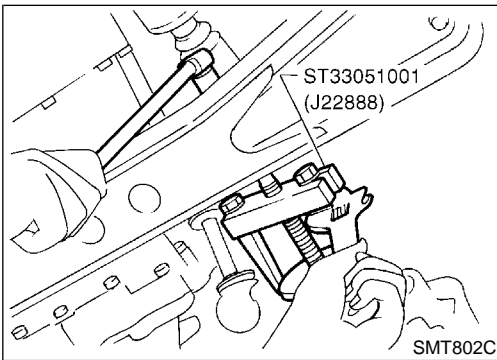
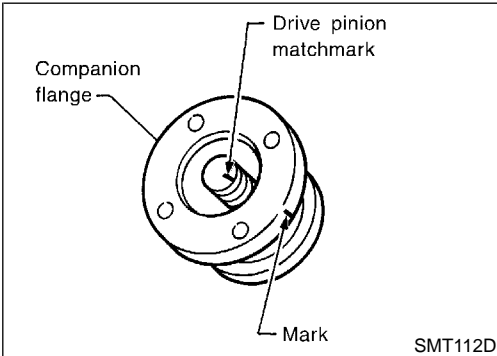
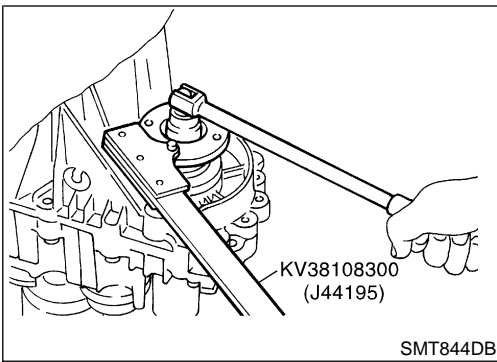
NATF0038S1102

Continuity check

Continuity check	Battery positive terminal	Battery negative terminal	Continuity
1	4	3	1 - 5
2	3	4	2 - 5

NATF0068

NATF0068S01

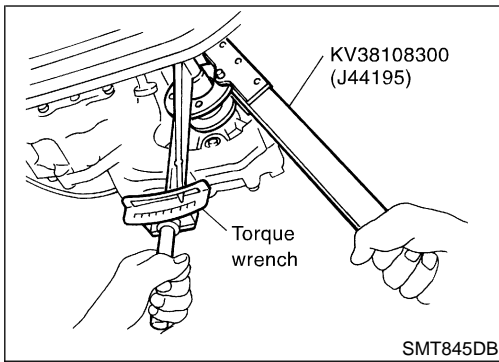


Replacing Oil Seal FRONT CASE OIL SEAL

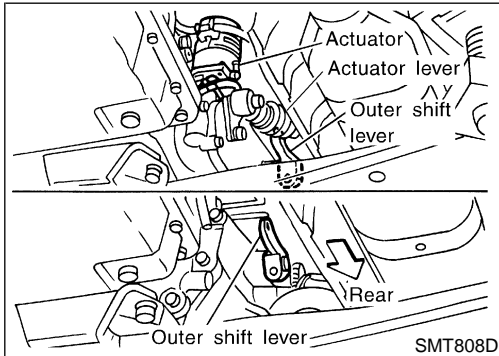
1. Drain transfer fluid.
2. Remove exhaust front tube and heat insulator. Refer to "Removal", TF-156.
3. Remove front propeller shaft. Refer to PD-8, "Removal and Installation".
4. Remove companion flange lock nut.
 - **Do not reuse lock nut.**
5. Put a matchmark on top of drive pinion thread. The mark should be in line with the mark on the companion flange.
 - **Always mark top of drive pinion screw using paint.**
6. Remove companion flange.
7. Remove front case oil seal.
8. Install front case oil seal.
 - **Before installing, apply multi-purpose grease to seal lip.**
9. Install companion flange.

GI
MA
EM
LC
EC
FE
CL
MT
AT
TF
PD
AX
SU
BR
ST
RS
BT
HA
SC
EL
IDX

Replacing Oil Seal (Cont'd)



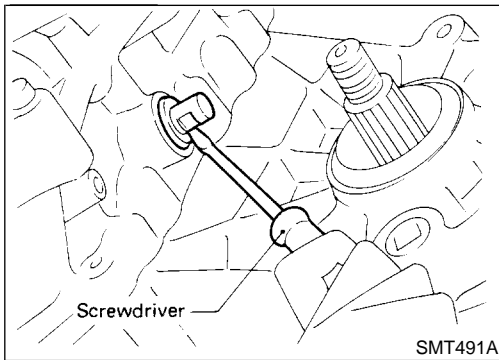
10. Tighten nut to the specified torque. Refer to TF-158.
11. Install front propeller shaft.
12. Install exhaust front tube and heat insulator.



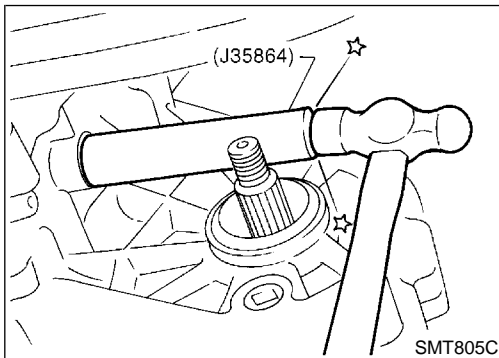
SHIFT SHAFT OIL SEAL

NATF0068S02

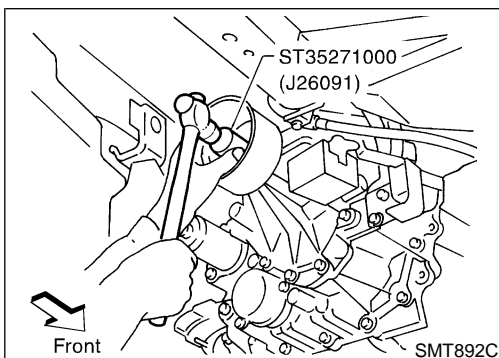
1. Remove front propeller shaft. Refer to PD-8, "Removal and Installation".
2. Remove companion flange. Refer to "FRONT CASE OIL SEAL", TF-153.
3. Remove actuator lever from transfer outer shift lever. Then remove outer shift lever.



4. Remove shift shaft oil seal.
 - **Be careful not to damage cross shaft.**



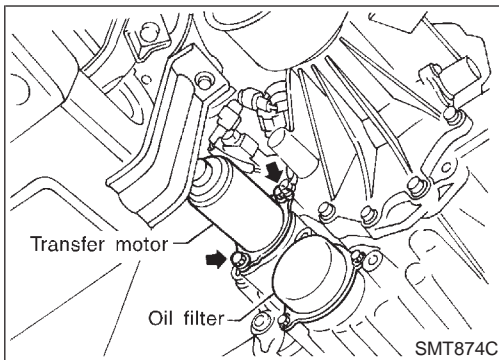
5. Install shift shaft oil seal.
 - **Before installing, apply multi-purpose grease to seal lip.**
6. Install transfer control linkage.
7. Install companion flange. Refer to "FRONT CASE OIL SEAL", TF-153.
8. Install front propeller shaft.



REAR OIL SEAL

NATF0068S03

1. Remove rear propeller shaft. Refer to PD-8, "Removal and Installation".
2. Remove rear oil seal.
3. Install rear oil seal.
 - **Before installing, apply multi-purpose grease to seal lip.**
4. Install rear propeller shaft.



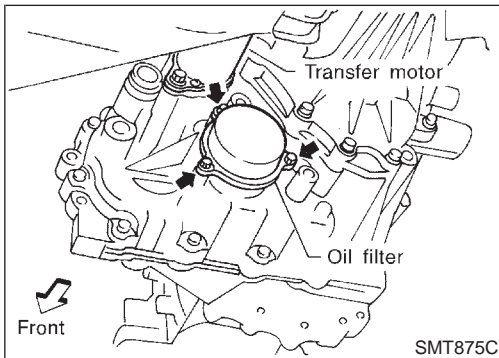
Transfer Motor

REMOVAL

1. Disconnect transfer motor harness connector. NATF0069
2. Remove breather pipe from transfer motor. MA
3. Remove bolts to detach transfer motor. EM
- **After removing transfer motor, be sure to replace O-ring with new one.**

INSTALLATION

1. Apply petroleum jelly or ATF to O-ring. NATF0070
2. Align width across flat-notch with oil pump groove, and install transfer motor. LC
3. Tighten bolts. EC
- **: 41 - 48 N·m (4.2 - 4.9 kg-m, 30 - 35 ft-lb)** FE
4. Install breather pipe to transfer motor.
5. Connect transfer motor harness connector. CL



Transfer Oil Filter

REMOVAL

- Remove bolts to detach oil filter. NATF0071
- **When removing oil filter from transfer, avoid damaging it. Be sure to loosen bolts evenly.**
- **When removing oil filter, be sure to replace O-ring with new one.**

INSTALLATION

1. Apply petroleum jelly or ATF to O-ring. NATF0072
2. Tighten bolts evenly to install oil filter. SU
- **: 7 - 9 N·m (0.7 - 0.9 kg-m, 61 - 78 in-lb)** BR
- **Be sure not to damage oil filter.** ST

GI

MA

EM

LC

EC

FE

CL

MT

AT

TF

PD

AX

SU

BR

ST

RS

BT

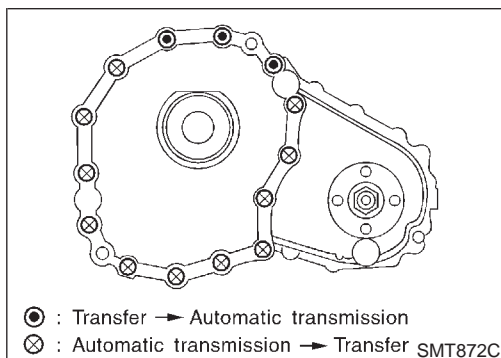
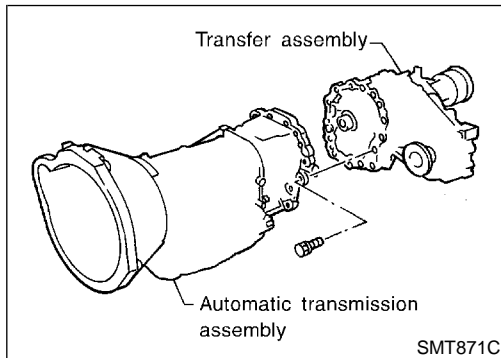
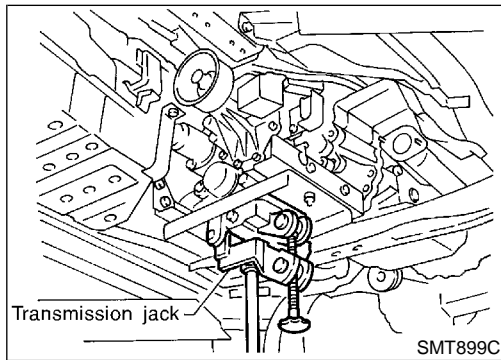
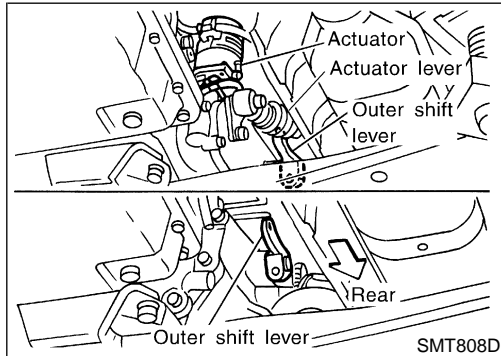
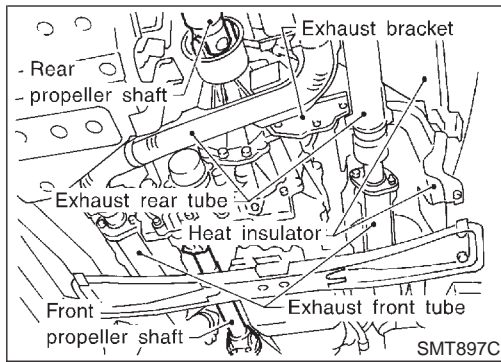
HA

SC

EL

IDX

Removal



Removal

1. Remove exhaust front and rear tubes. Refer to ^{NATF0073} FE-9, "EXHAUST SYSTEM".
2. Remove front and rear propeller shaft. Refer to PD-8, "Removal and Installation".
3. Insert plug into rear oil seal after removing propeller shaft.
 - **Be careful not to damage spline, sleeve yoke and rear oil seal, when removing propeller shaft.**
4. Disconnect neutral-4LO switch, front revolution sensor, ATP switch, transfer motor and 4WD shift switch harness connectors.
5. Remove center console and A/T control device.
6. Remove floor panel for transfer.
7. Remove upper side fixing bolt for A/T and TF.
8. Remove actuator lever from transfer outer shift lever and remove sub-oil pump from transfer.
9. Remove remaining fixing bolt for AT and TF.
10. Remove transfer from transmission.

WARNING:
Support transfer while removing it.

Installation

- Tighten bolts securing transfer.
 - Bolt length:**
45 mm (1.77 in)
 - Tightening torque:**
⊗ : 31 - 42 N·m (3.2 - 4.3 kg-m, 23 - 31 ft-lb)

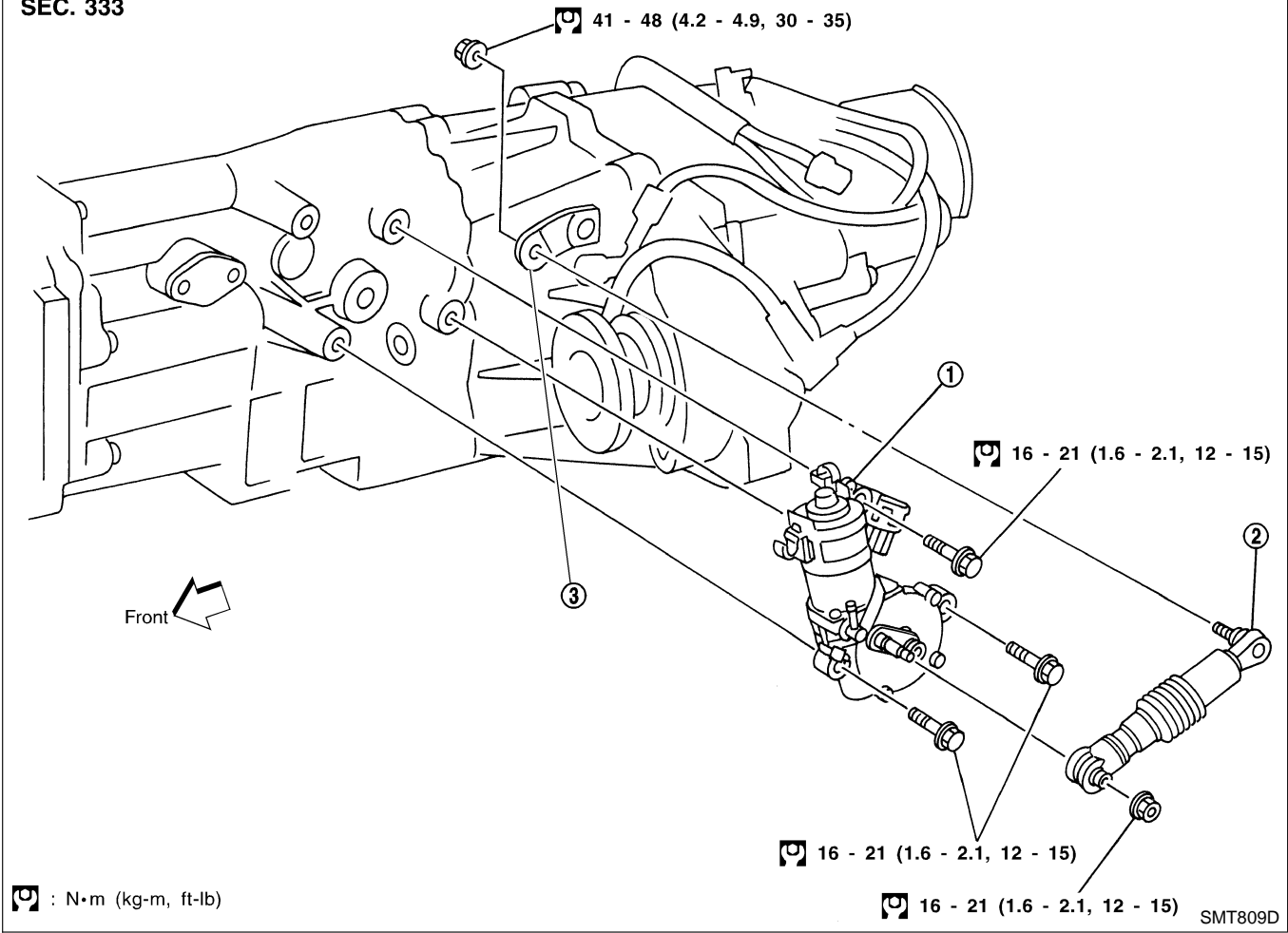
NATF0074

Transfer Gear Control

NATF0075

GI
MA
EM
LC
EC
FE
CL
MT
AT
TF
PD
AX
SU
BR
ST
RS
BT
HA
SC
EL
IDX

SEC. 333



: N·m (kg-m, ft-lb)

1. Actuator

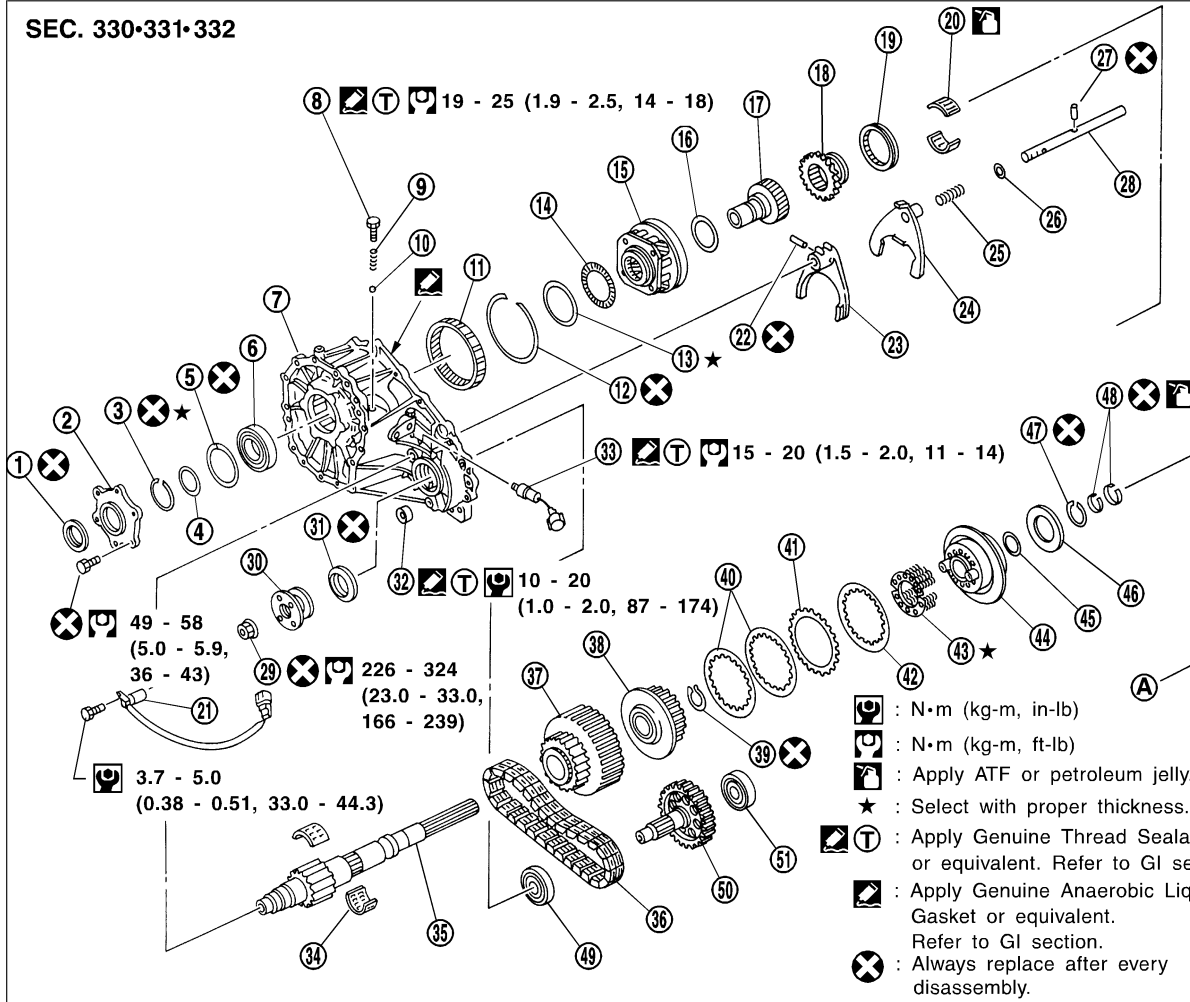
2. Actuator lever

3. Outer shift lever

Transfer Components

NATF0076

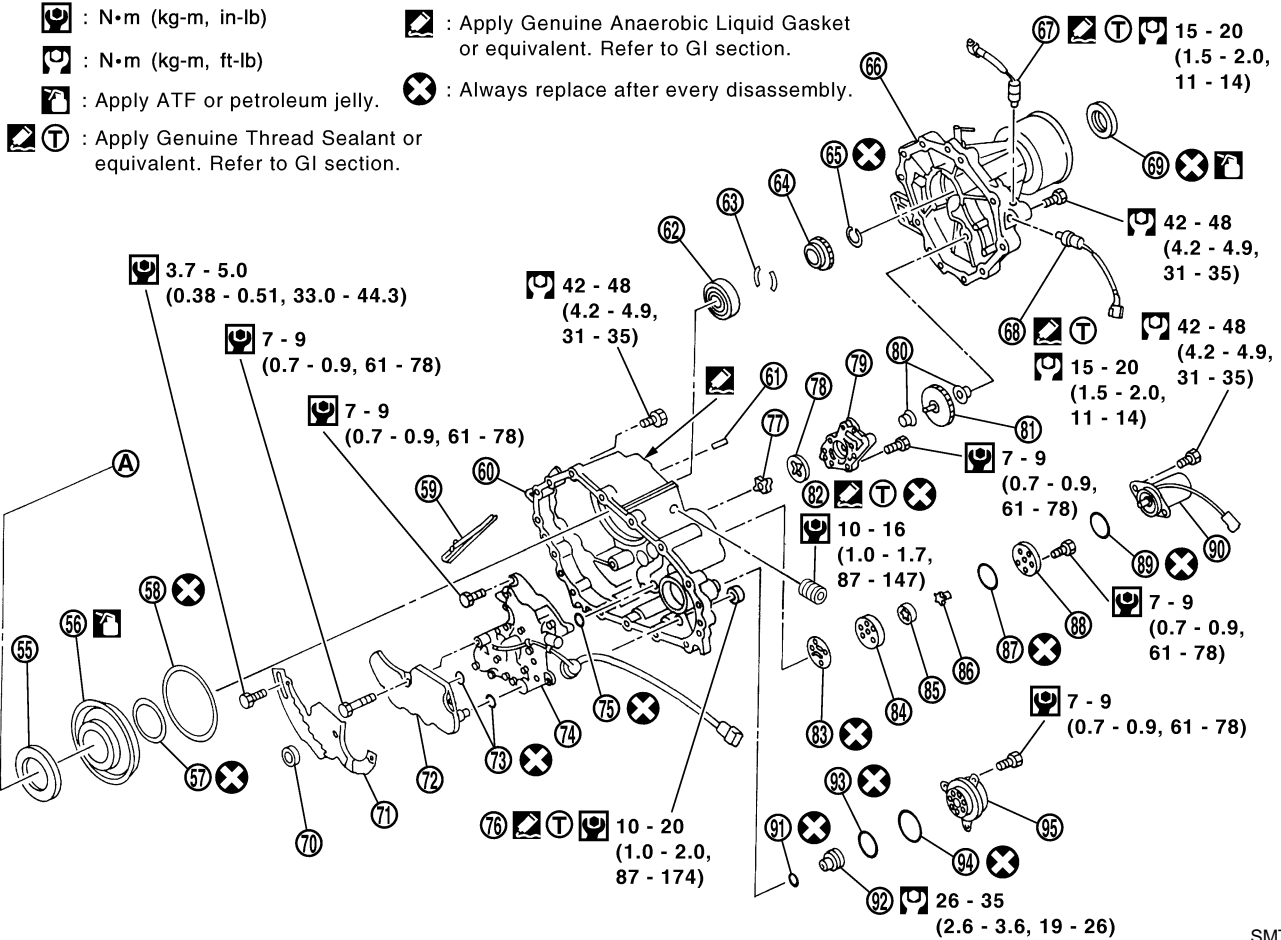
SEC. 330-331-332



SMT194E

- | | | |
|---------------------------|-----------------------------|----------------------------|
| 1. Oil seal | 18. L-H sleeve | 35. Mainshaft |
| 2. Transfer cover | 19. 2-4 sleeve | 36. Drive chain |
| 3. Snap ring | 20. Radial needle bearing | 37. Clutch drum |
| 4. Washer | 21. Front revolution sensor | 38. Clutch hub |
| 5. Snap ring | 22. Retaining pin | 39. Snap ring |
| 6. Main gear bearing | 23. L-H fork | 40. Driven plate |
| 7. Front case | 24. 2-4 fork | 41. Drive plate |
| 8. Check plug | 25. Shift fork spring | 42. Retaining plate |
| 9. Check spring | 26. Fork guide | 43. Return spring assembly |
| 10. Check ball | 27. Retaining pin | 44. Press flange |
| 11. Internal gear | 28. Shift rod | 45. Washer |
| 12. Snap ring | 29. Self-lock nut | 46. Thrust needle bearing |
| 13. Bearing race | 30. Companion flange | 47. Snap ring |
| 14. Thrust needle bearing | 31. Oil seal | 48. Seal ring |
| 15. Planetary carrier | 32. Drain plug | 49. Front bearing |
| 16. Thrust needle bearing | 33. Wait detection switch | 50. Front drive shaft |
| 17. Sun gear | 34. Needle bearing | 51. Rear bearing |

SEC. 330•331•332

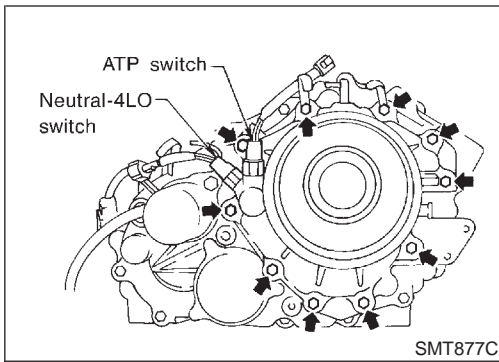


SMT207E

- | | | |
|--------------------------------|-----------------------------|--------------------------|
| 55. Thrust needle bearing race | 69. Oil seal | 83. Oil pump gasket |
| 56. Clutch piston | 70. Magnet | 84. Sub-oil pump housing |
| 57. D-ring | 71. Baffle plate | 85. Outer gear |
| 58. Lip seal | 72. Oil strainer | 86. Inner gear |
| 59. Oil gutter | 73. O-ring | 87. O-ring |
| 60. Center case | 74. Control valve assembly | 88. Sub-oil pump cover |
| 61. Stem bleeder | 75. Lip seal (7 pieces) | 89. O-ring |
| 62. Mainshaft rear bearing | 76. Filler plug | 90. Transfer motor |
| 63. Thrust washer | 77. Inner gear | 91. O-ring |
| 64. Speedometer drive gear | 78. Outer gear | 92. Oil filter stud |
| 65. Snap ring | 79. Oil pump housing | 93. O-ring |
| 66. Rear case | 80. Bushing | 94. O-ring |
| 67. ATP switch | 81. Oil pump shaft | 95. Oil filter |
| 68. Neutral-4LO switch | 82. Oil pressure check plug | |

GI
MA
EM
LC
EC
FE
CL
MT
AT
TF
PD
AX
SU
BR
ST
RS
BT
HA
SC
EL
IDX

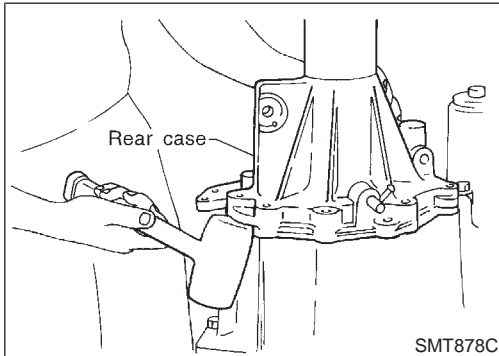
Rear Case



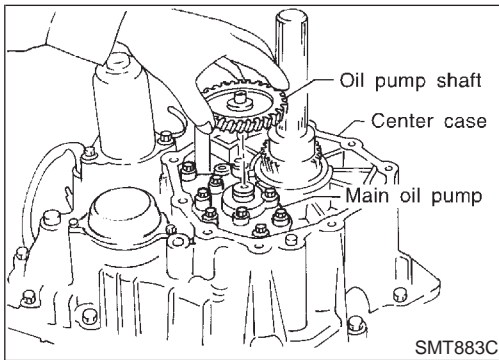
Rear Case DISASSEMBLY

NATF0077

1. Remove neutral-4LO switch and ATP switch.
2. Remove bolts.



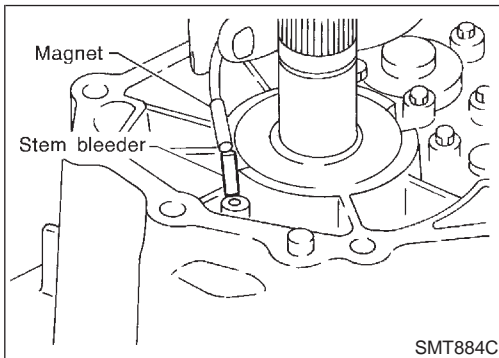
3. Remove rear case from center case by tapping it lightly with a plastic hammer.



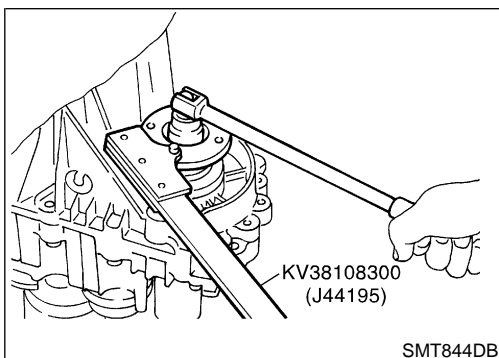
Center Case DISASSEMBLY

NATF0078

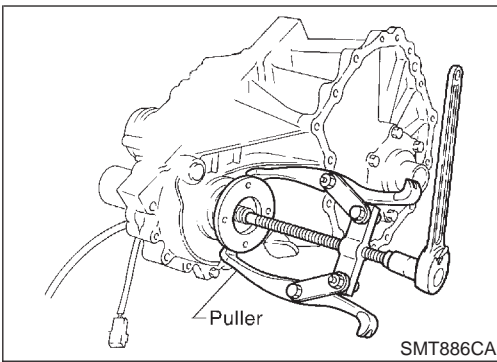
1. Remove oil pump shaft from main oil pump.



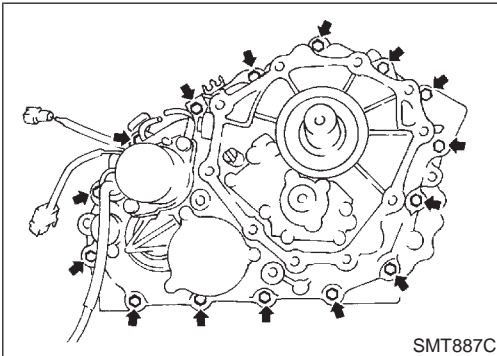
2. Remove stem bleeder from bleeder hole.



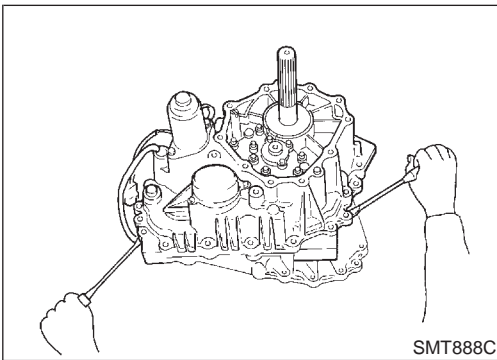
3. Remove lock nut from companion flange.
 - **Do not reuse lock nut.**



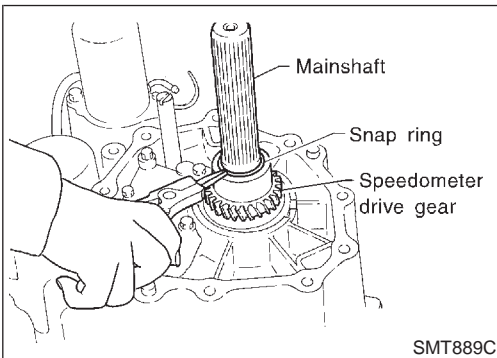
- Remove companion flange.



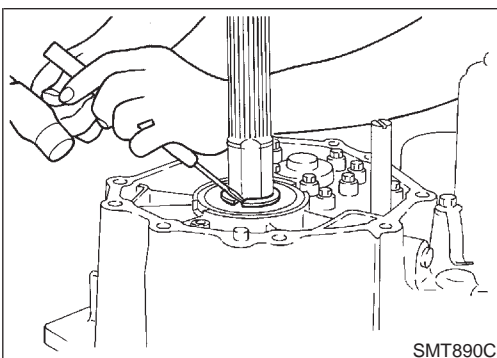
- Remove bolts.



- Insert screwdrivers as shown in the figure, and separate center case from front case. Then, remove center case by levering it up with a tire lever or the like.
 - Be careful not to damage the mating surface.



- Remove snap ring from mainshaft.
 - Do not reuse snap ring.**



- Remove C-rings from mainshaft bearing.

GI

MA

EM

LC

EC

FE

CL

MT

AT

TF

PD

AX

SU

BR

ST

RS

BT

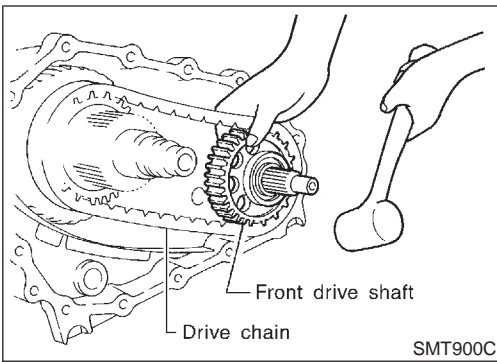
HA

SC

EL

IDX

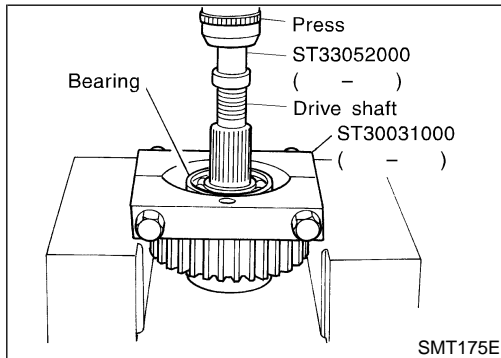
Center Case (Cont'd)



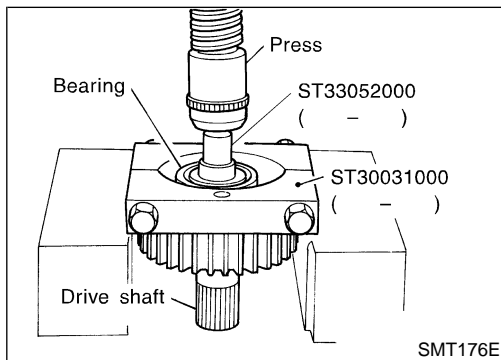
Front Drive Shaft and Drive Chain

NATF0078S01

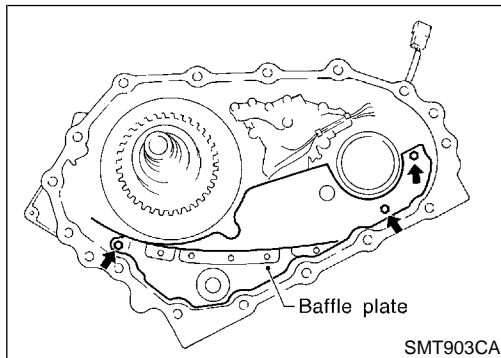
1. Remove oil gutter from center case.
 2. With front drive shaft held by one hand as shown in the figure, tap center case with a plastic hammer to remove it with drive chain.
- Do not tap drive chain with a plastic hammer.



3. Set a puller (ST30031000) and an adapter (ST33052000). Remove front drive shaft front bearing.



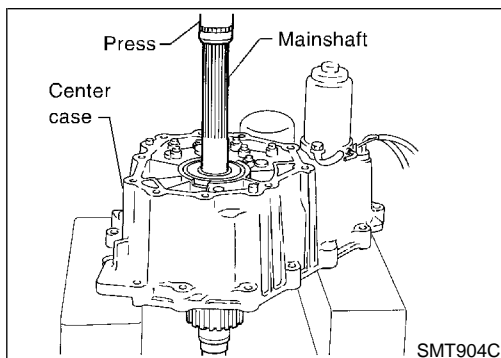
4. Set the puller (ST30031000) and the adapter (ST33052000). Remove front drive shaft rear bearing.

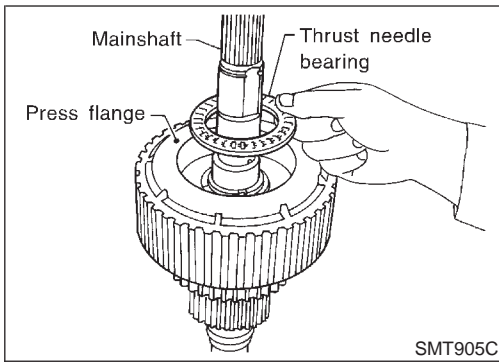


Mainshaft and Clutch Drum

NATF0078S02

1. Remove mounting bolts to detach baffle plate.
2. Set center case to press stand. Remove mainshaft from center case.





3. Remove thrust needle bearing from press flange.

GI

MA

EM

LC

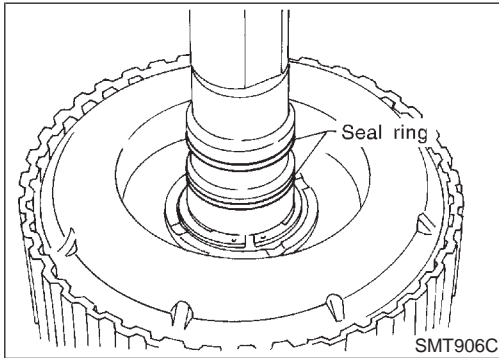
EC

FE

CL

MT

AT



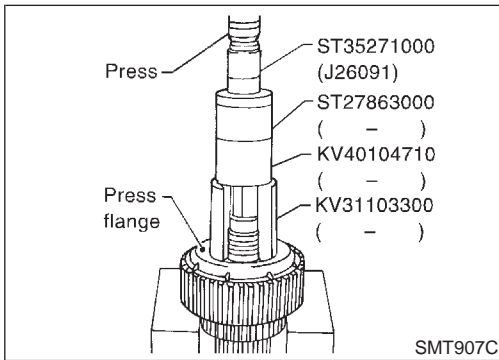
4. Remove seal ring from mainshaft.
 - **Do not reuse seal ring.**

TF

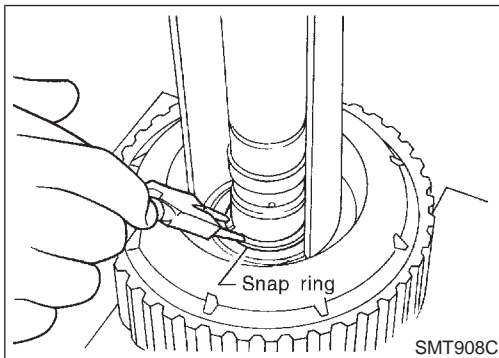
PD

AX

SU



5. Set a drift (KV31103300), a support ring (KV40104710), a support ring (ST27863000) and a drift (ST35271000) to press flange as shown in the figure. Press drift until snap ring is out of place.



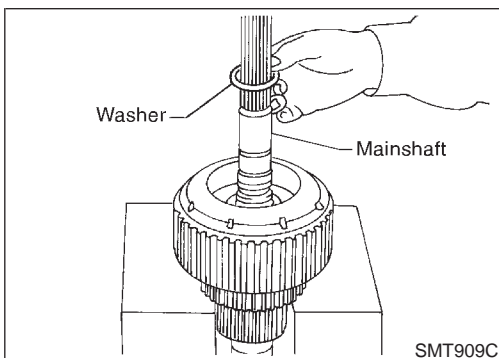
6. Remove snap ring from mainshaft.
 - **Do not reuse snap ring.**

BR

ST

RS

BT



7. Remove washer.

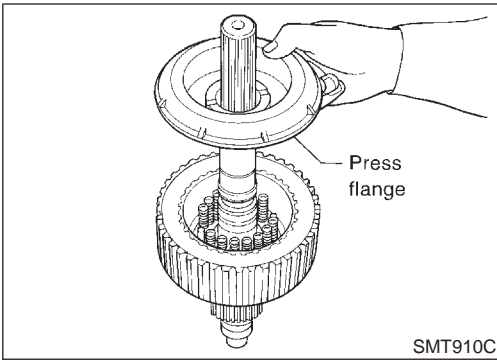
HA

SC

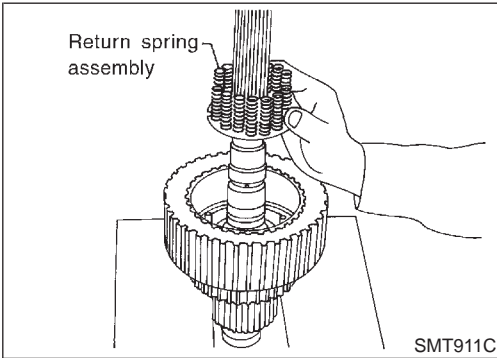
EL

IDX

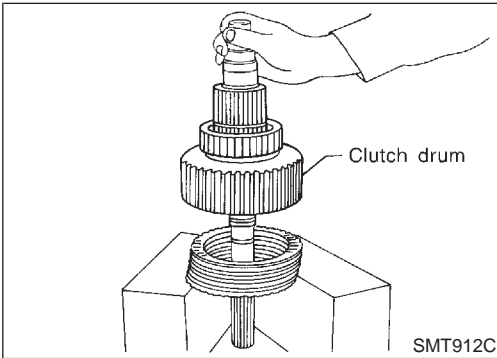
Center Case (Cont'd)



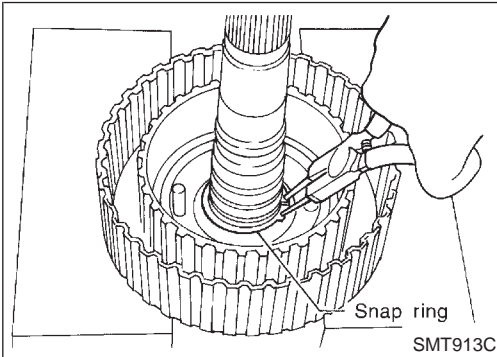
8. Remove press flange from mainshaft.



9. Remove return spring assembly from clutch hub.

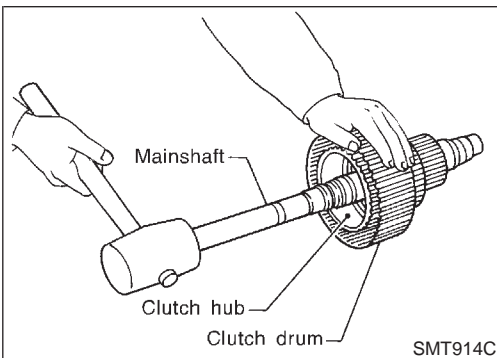


10. Remove each plate from clutch drum.



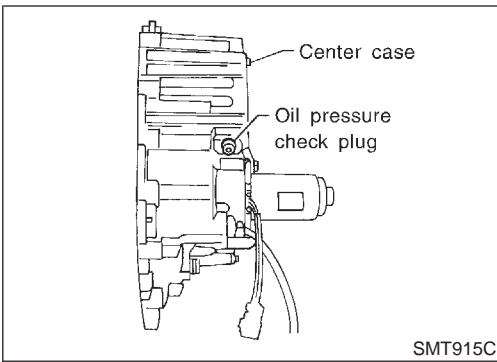
11. Remove snap ring from mainshaft.

- Do not reuse snap ring.



12. Tap mainshaft with a plastic hammer to remove it from clutch drum and clutch hub.

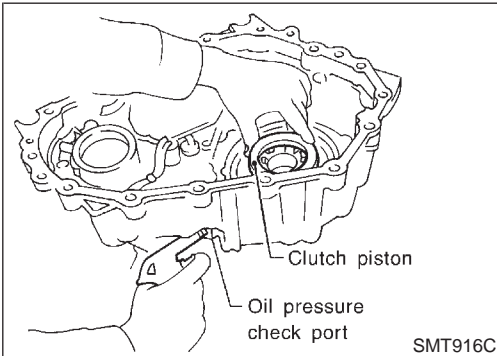
13. Remove needle bearing from mainshaft.



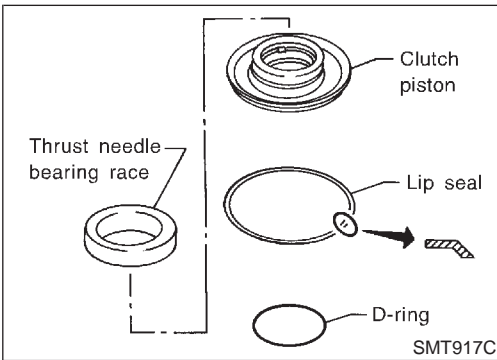
Clutch Piston

NATF0078S03

1. Remove oil pressure check plug from oil pressure check port.



2. Apply air gradually from oil pressure check port, and remove clutch piston from center case.



3. Remove lip seal and D-ring from clutch piston.

● **Do not reuse lip seal and D-ring.**

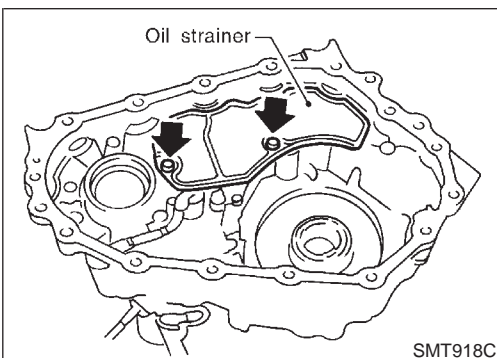
4. Remove thrust needle bearing race from clutch piston by hooking a screwdriver edge into 4 notches of thrust needle bearing race.

Control Valve

NATF0078S04

CAUTION:

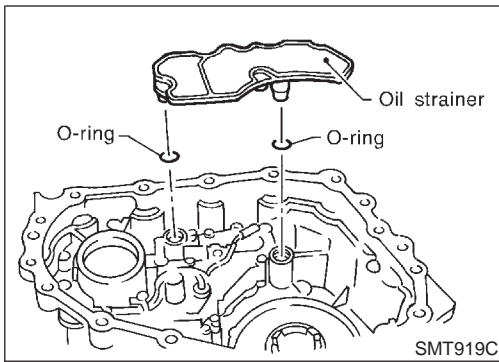
- Do not reuse any part that has been dropped or damaged.
- Make sure valve is assembled in the proper direction.
- Do not use a magnet because residual magnetism stays during disassembly.



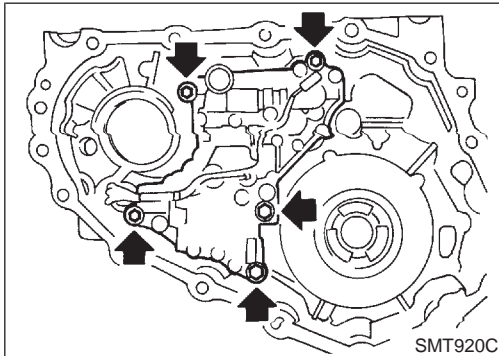
1. Remove bolts, and detach oil strainer.

GI
MA
EM
LC
EC
FE
CL
MT
AT
TF
PD
AX
SU
BR
ST
RS
BT
HA
SC
EL
IDX

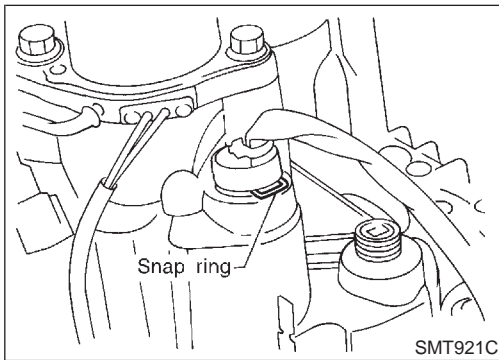
Center Case (Cont'd)



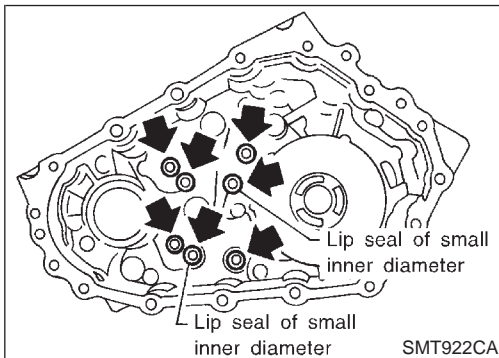
2. Remove O-rings from oil strainer.
 - Do not reuse O-rings.



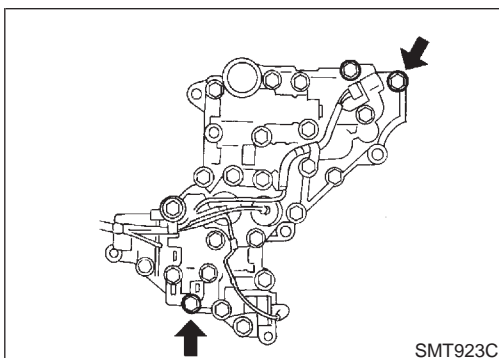
3. Remove bolts for control valve.



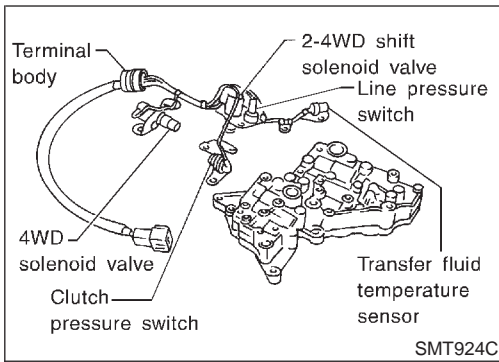
4. Remove snap ring. Then push terminal assembly into center case to remove control valve assembly.



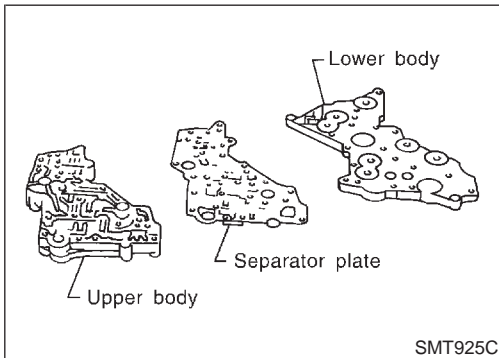
5. Remove lip seals from center case.
 - Do not reuse lip seals.
 - There are two kinds of lip seals (lip seal of large inner diameter: 5 pieces, lip seal of small inner diameter: 2 pieces). Confirm the position before disassembly.



6. Remove all bolts except for two.



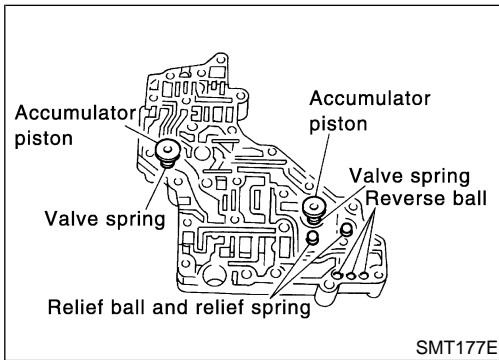
7. Remove 4WD solenoid valve, clutch pressure switch, 2-4WD shift solenoid valve, line pressure switch, and transfer fluid temperature sensor from control valve assembly.
 8. Remove O-rings from each solenoid valve, switch and terminal body.
- Do not reuse O-rings.



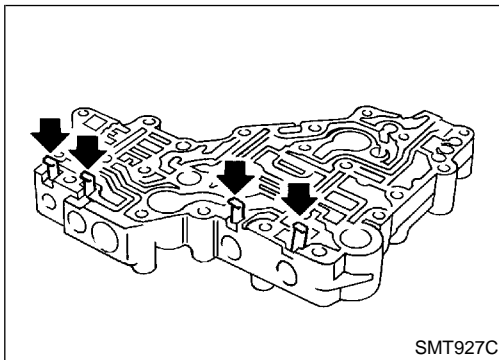
9. Place control valve with lower body facing up, remove two mounting bolts, and then remove lower body and separator plate from upper body.

CAUTION:

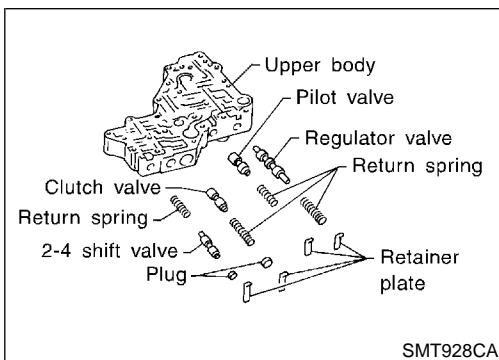
- Be careful not to drop relief balls. Detach lower body carefully.
- Do not reuse separator plate.



10. Make sure reverse balls, relief balls and relief springs, accumulator pistons and valve springs are securely installed as shown in the figure, and remove them.



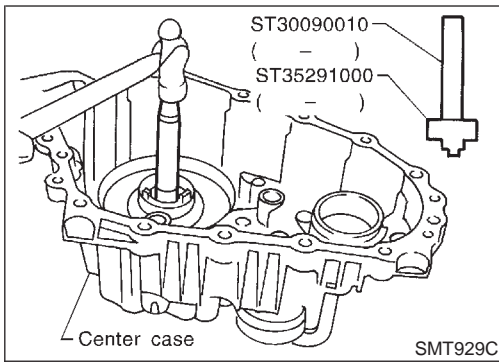
11. Remove retainer plates.



12. Remove each control valve, spring and plug.

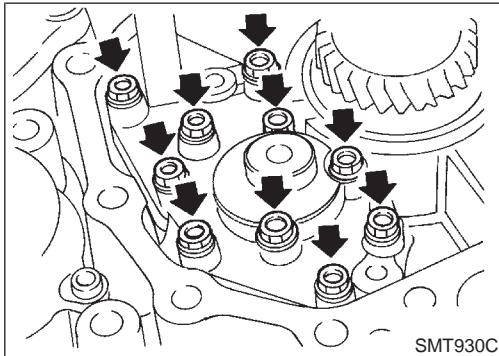
GI
MA
EM
LC
EC
FE
CL
MT
AT
TF
PD
AX
SU
BR
ST
RS
BT
HA
SC
EL
IDX

Center Case (Cont'd)



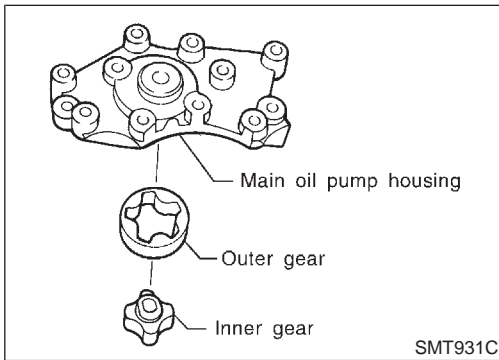
Mainshaft Rear Bearing

1. Remove mainshaft rear bearing from center case using a remover (ST35291000) and a remover (ST30090010). NATF0078S05

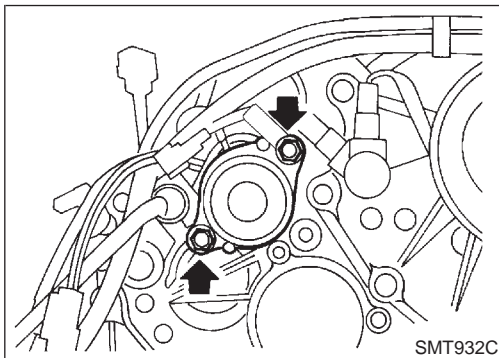


Main Oil Pump

1. Remove bolts as shown in figure to detach main oil pump. NATF0078S06

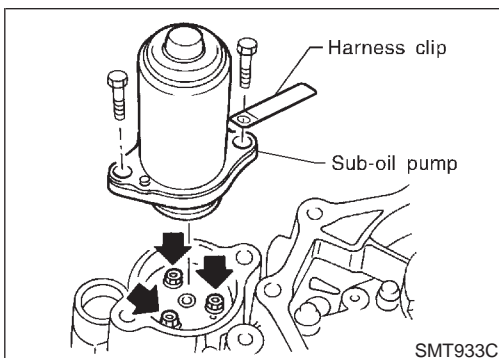


2. Remove outer gear and inner gear.

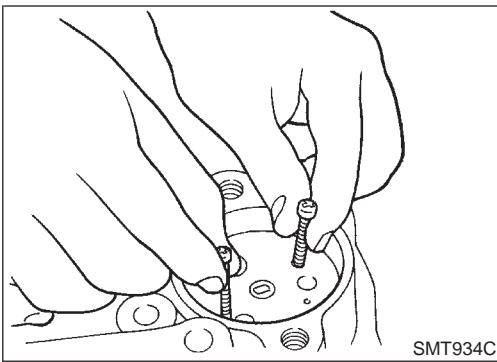


Sub-oil Pump

1. Remove bolts to detach transfer motor from center case. Then remove O-ring from the transfer motor. NATF0078S07
 - Do not reuse O-ring.



2. Remove sub-oil pump mounting bolts.



3. Thread two bolts (M4 x 0.8) into the holes of sub-oil pump as shown in the figure, and pull out to remove sub-oil pump.

GI

MA

EM

LC

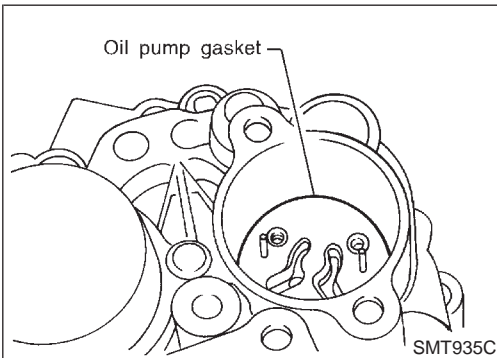
EC

FE

CL

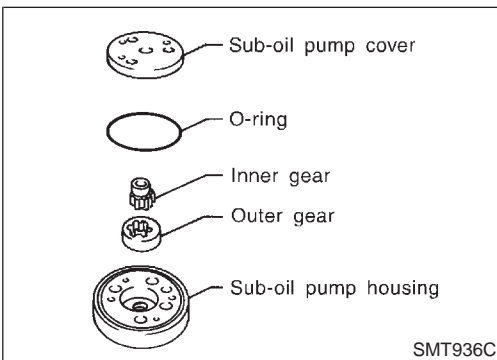
MT

AT



4. Remove oil pump gasket.
 - **Do not reuse gasket.**

TF

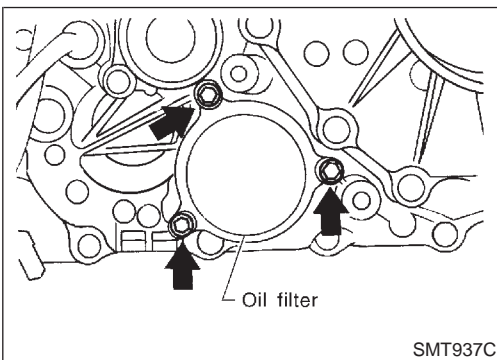


5. Remove sub-oil pump cover, outer gear, inner gear and O-ring from sub-oil pump housing.
 - **Do not reuse O-ring.**

PD

AX

SU



Oil Filter

NATF0078S08

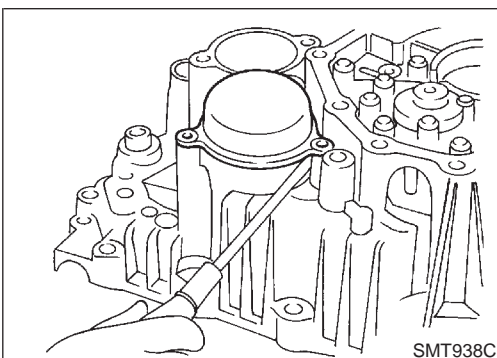
1. Remove bolts for oil filter.

BR

ST

RS

BT



2. Insert a screwdriver as shown in the figure to remove oil filter.

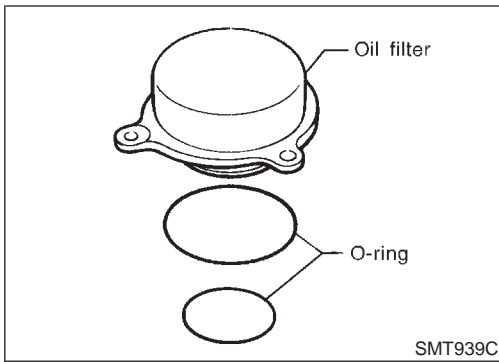
HA

SC

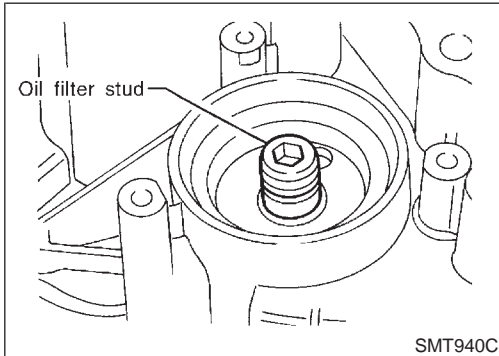
EL

IDX

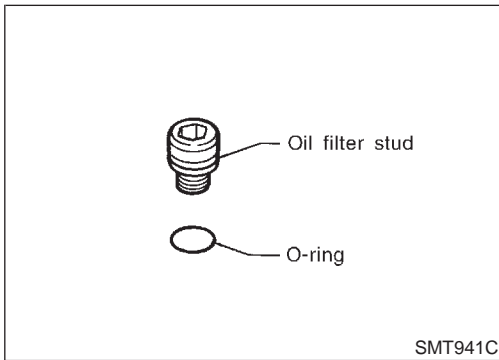
Center Case (Cont'd)



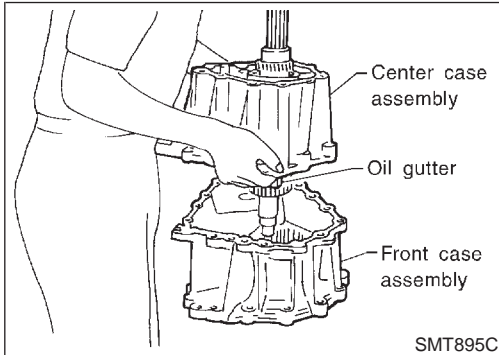
3. Remove O-rings from oil filter.
 - Do not reuse O-rings.



4. Remove oil filter stud.



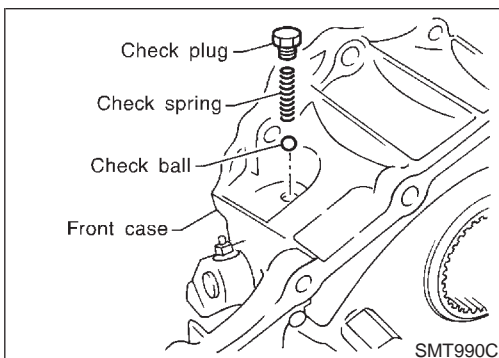
5. Remove O-ring from oil filter stud.
 - Do not reuse O-ring.



Front Case DISASSEMBLY

1. Remove rear case from center case. Refer to TF-160.
2. Remove front case from center case.

NATF0079



Shift Rod Components

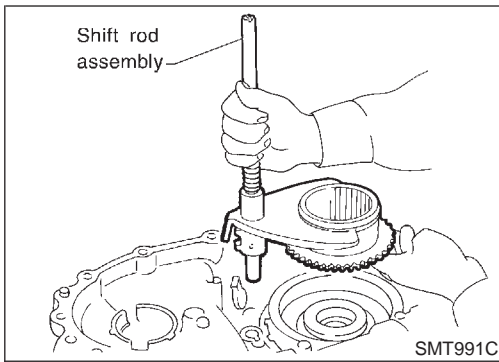
1. Remove check plug, then check spring and check ball.
2. Remove wait detection switch.

NATF0079S01

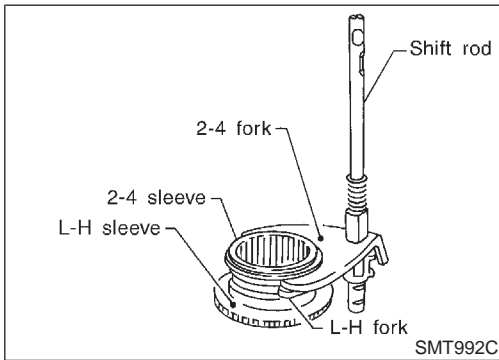
DISASSEMBLY

ATX14A

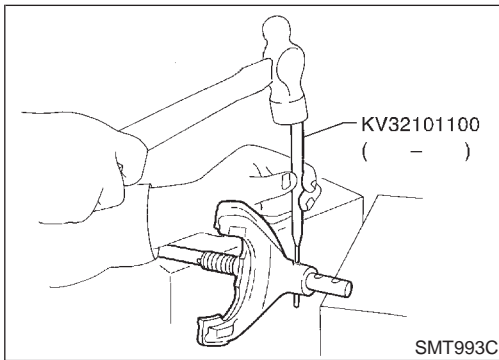
Front Case (Cont'd)



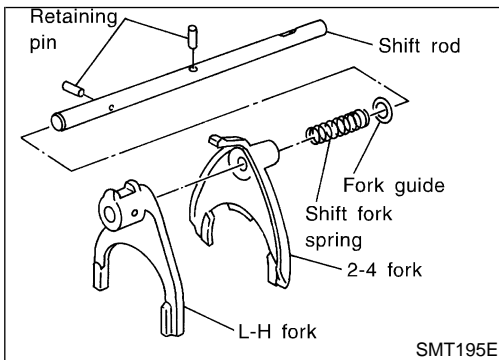
3. Remove shift rod components together with 2-4 sleeve and L-H sleeve.



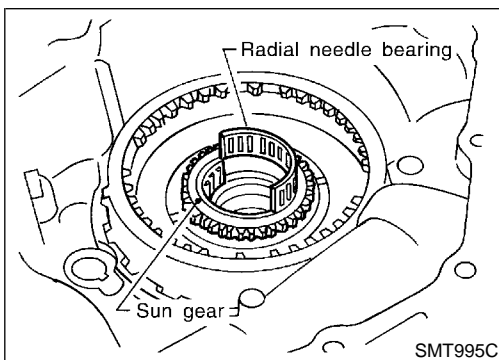
4. Remove 2-4 sleeve and L-H sleeve from 2-4 fork and L-H fork respectively.



5. Drive out retaining pin from shift rod.
 - Do not reuse retaining pin.



6. Remove L-H fork, 2-4 fork, shift fork spring and fork guide from shift rod.



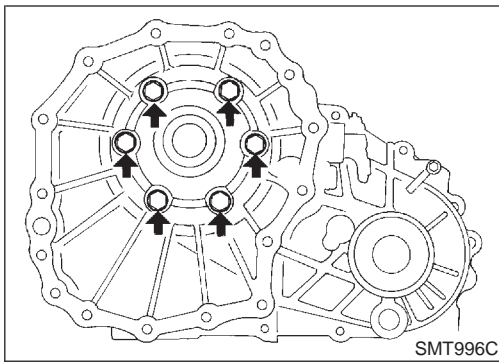
Planetary Carrier, Sun Gear and Internal Gear

NATF0079S02

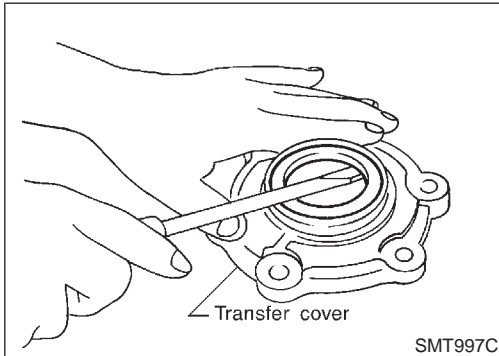
1. Remove radial needle bearing from sun gear.

GI
MA
EM
LC
EC
FE
CL
MT
AT
TF
PD
AX
SU
BR
ST
RS
BT
HA
SC
EL
IDX

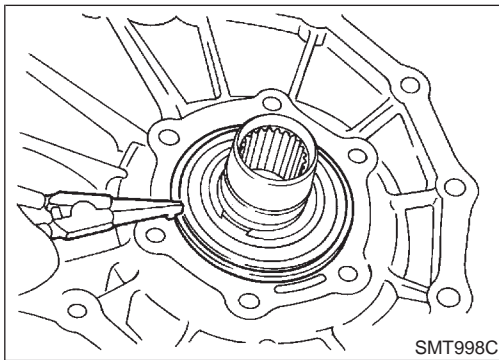
Front Case (Cont'd)



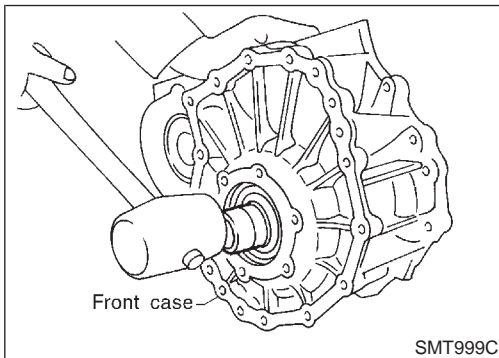
2. Remove bolts to detach transfer cover.
 - **Do not reuse bolts.**



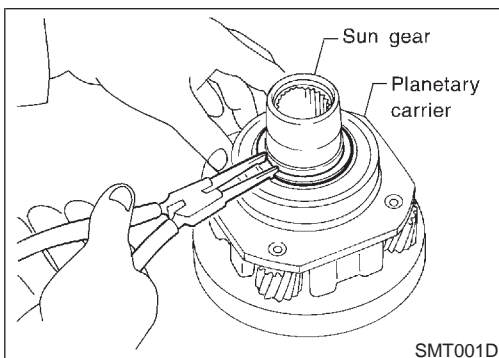
3. Remove oil seal from transfer cover.
 - **Do not reuse oil seal.**



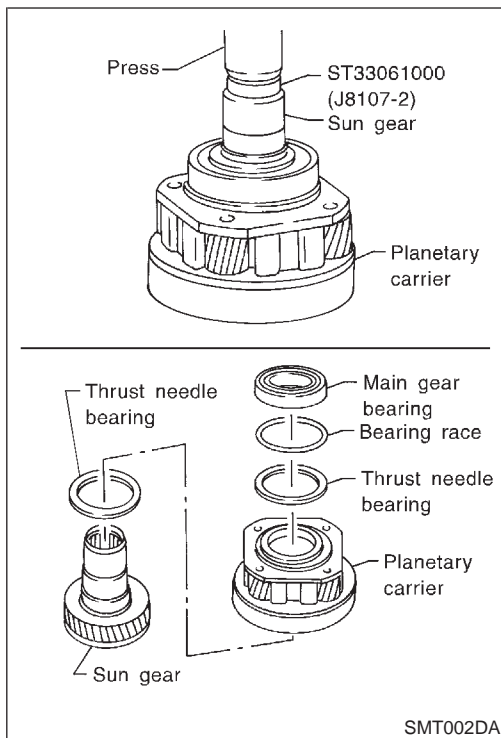
4. Remove snap ring from main gear bearing.
 - **Do not reuse snap ring.**



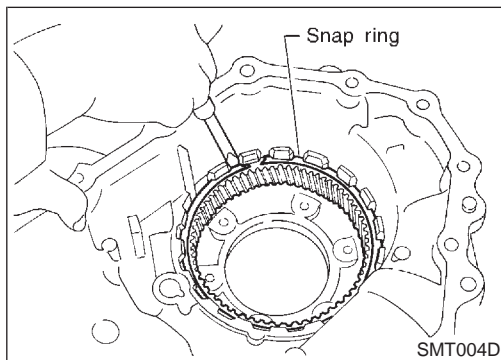
5. Remove sun gear by tapping it lightly.



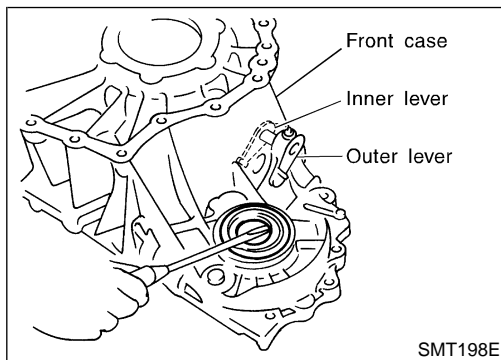
6. Remove snap ring from sun gear.
 - **Do not reuse snap ring as it is a selective part.**
7. Remove washer from sun gear.



8. Set an adapter to sun gear as shown in the figure. Remove sun gear from planetary carrier. Remove main gear bearing, bearing race and thrust needle bearing (front and rear of planetary carrier) from sun gear.



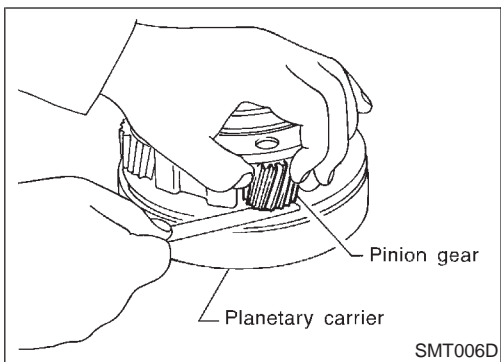
9. Remove snap ring, and remove internal gear.
 - **Do not reuse snap ring.**



10. Remove front oil seal.
 - **Do not reuse oil seal.**
11. Loosen nut of outer lever assembly to pull out cotter pin, and remove outer lever.
12. Remove inner lever assembly.

GI
MA
EM
LC
EC
FE
CL
MT
AT
TF
PD
AX
SU
BR
ST
RS
BT
HA
SC
EL
IDX

Front Case



Front Case

INSPECTION

Planetary Carrier

NATF0080

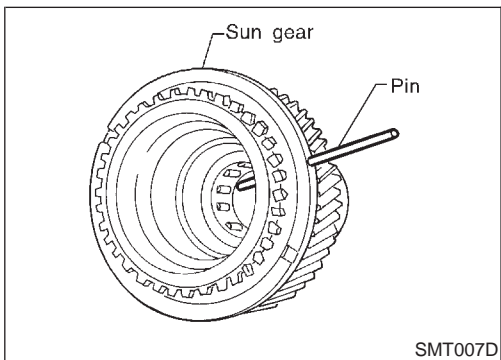
NATF0080S01

- Measure end play of each pinion gear, and make sure the measurement is within specification shown below. If out of specification, replace planetary carrier with new one.

Pinion gear end play:

0.1 - 0.7 mm (0.004 - 0.028 in)

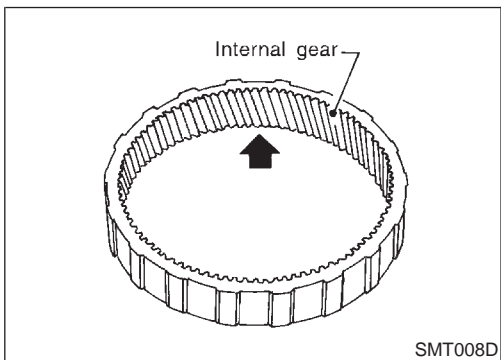
- Check working face of each gear, bearing and others for damage, burrs, partial wear, dents and other abnormality. If any is found, replace planetary carrier with new one.



Sun Gear

NATF0080S02

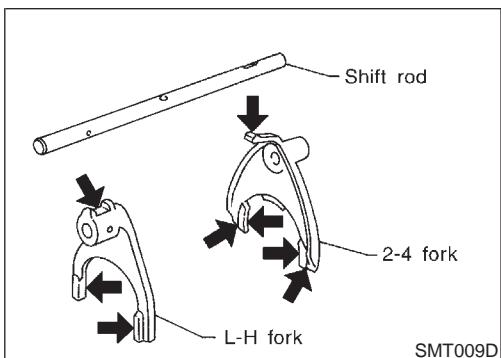
- Check if oil passage of sun gear is clogged. For this, try to pass a 3.6 mm (0.142 in) dia. wire through oil passage as shown in the figure.
- Check sliding/contact surface of each gear, bearing and others for damage, burrs, partial wear, dents, and other abnormality. If any is found, replace sun gear with new one.



Internal Gear

NATF0080S03

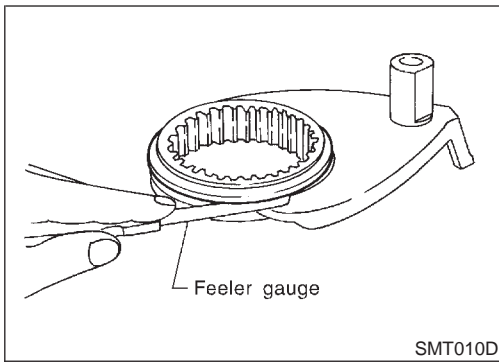
- Check internal gear teeth for damage, partial wear, dents and other abnormality. If any is found, replace internal gear with new one.



Shift Rod Components

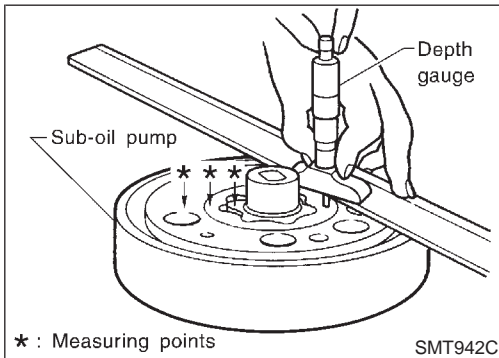
NATF0080S04

- Check working face of shift rod and fork for wear, partial wear, bending and other abnormality. If any is found, replace with new one.



- Measure clearance between shift fork and sleeve. If it is out of specification, replace it with new one.

Standard value:
Less than 0.36 mm (0.0142 in)



Center Case INSPECTION Sub-oil Pump

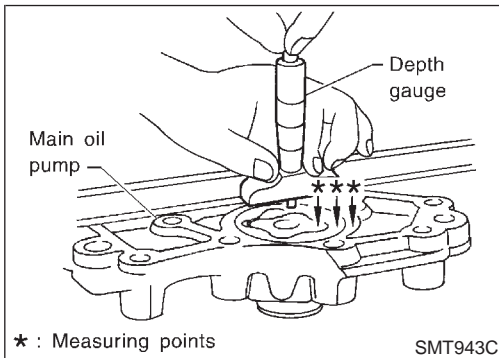
NATF0081

NATF0081S01

1. Check inner and outer circumference, tooth face, and side-face of inner and outer gears for damage or abnormal wear.
2. Measure side clearance between oil pump housing edge and inner gear/outer gear.
3. Make sure side clearance is within specification. If the measurement is out of specification, replace inner and outer gears together with new ones as a set.

Specification:
0.015 - 0.035 mm (0.0006 - 0.0014 in)

For inner gear and outer gear, refer to SDS, TF-193.



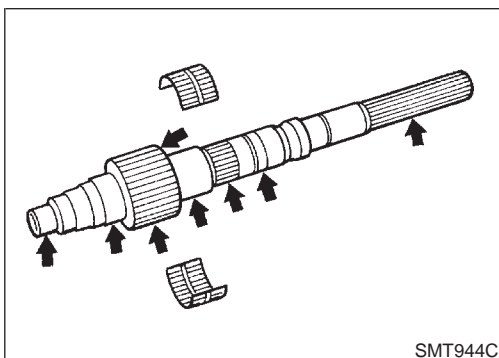
Main Oil Pump

NATF0081S02

1. Check inner and outer circumference, tooth face, and side-face of inner and outer gears for damage or abnormal wear.
2. Measure side clearance between oil pump housing edge and inner gear/outer gear.
3. Make sure side clearance is within specification. If the measurement is out of specification, replace inner and outer gears with new ones as a set.

Specification:
0.015 - 0.035 mm (0.0006 - 0.0014 in)

For inner gear and outer gear, refer to SDS, TF-193.

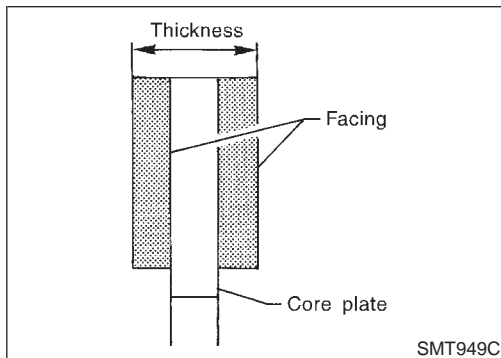
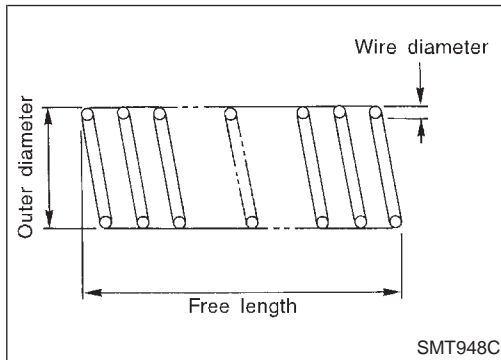
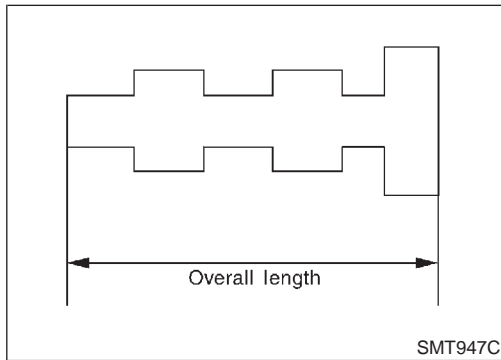
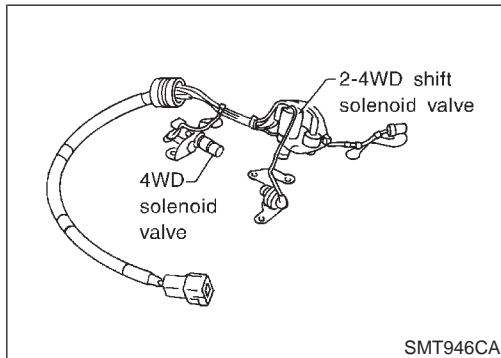
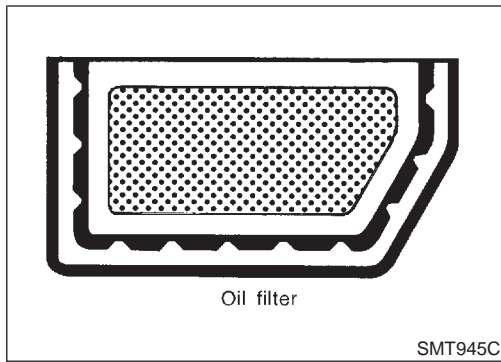


Mainshaft

NATF0081S03

- Check surfaces which contact sun gear, clutch drum, clutch hub, press flange, clutch piston, each bearing, etc. for damage, peel, partial wear, dents, bending, or other abnormal damage. If any is found, replace with new one.

Center Case (Cont'd)



Control Valve

- Check oil filter screen for damage. If any is found, replace with new one. NATF0081S04

- Check resistance between terminals of 4WD solenoid valve, 2-4WD shift solenoid valve and transfer fluid temperature sensor.

Resistance:

Refer to "COMPONENT INSPECTION", TF-148.

- Check sliding faces of control valves and plugs for abnormality. If any is found, replace the control valve assembly with new one.

CAUTION:

Replace control valve body together with clutch return spring as a set.

Control valve:

Refer to SDS, TF-193.

- Check each control valve spring for damage or distortion, and also check its free length, outer diameter and wire diameter. If any damage or fatigue is found, replace control valve body with new one.

- Replace control valve body together with clutch return spring as a set.

Inspection standard:

Refer to SDS, TF-193.

Clutch

- Check drive plate facings and driven plate for damage, cracks or other abnormality. If any, replace with new one. NATF0081S05

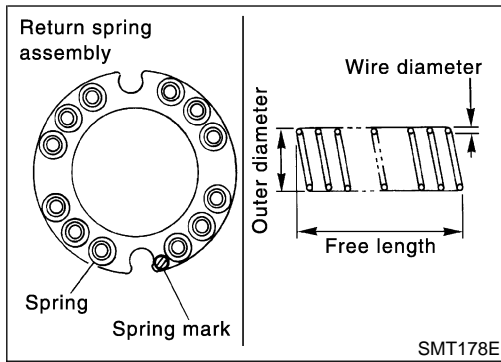
- Check the thickness of drive plate facings and driven plate.

Inspection standard:

Refer to SDS, TF-194.

CAUTION:

- Measure facing thickness at 3 points to take an average.
- Check all the drive and driven plates.
- Check return spring for damage or deformation.



- Check stamped mark shown in the figure. Then, check that free length, outer diameter and wire diameter are within specifications. If any abnormality is found, replace with new return spring assembly of the same stamped number.

Inspection standard:

Refer to SDS, TF-194.

GI

MA

EM

LC

EC

FE

CL

MT

AT

TF

PD

AX

SU

BR

ST

RS

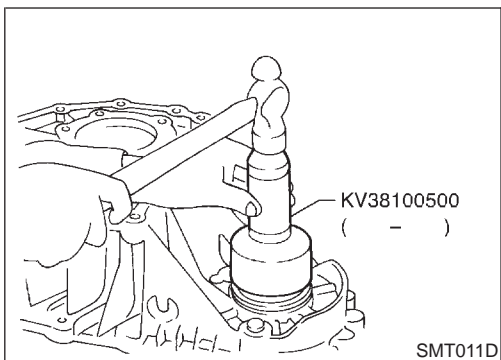
BT

HA

SC

EL

IDX



Front Case

ASSEMBLY

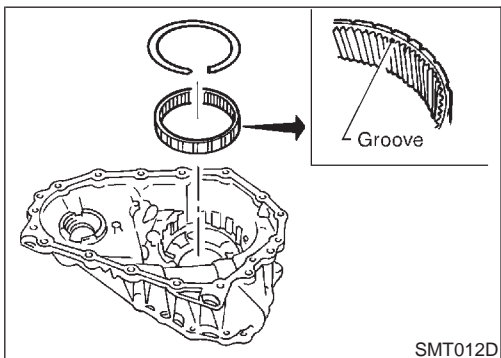
Planetary Carrier, Sun Gear and Internal Gear

NATF0082

NATF0082S01

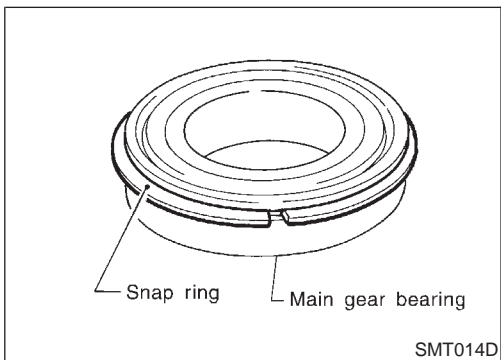
1. Apply ATF to oil seal periphery, and install oil seal so that it is flush with the end face of front case.

- Do not reuse oil seal.



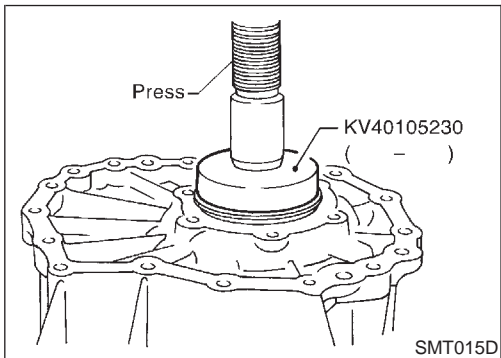
2. Install internal gear with its groove facing snap ring into front case. Then secure it with snap ring.

- Do not reuse snap ring.

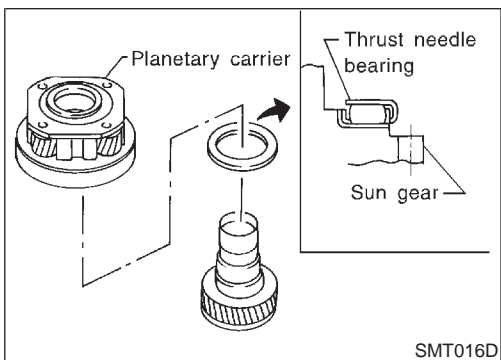


3. Install snap ring to main gear bearing.

- Do not reuse snap ring.

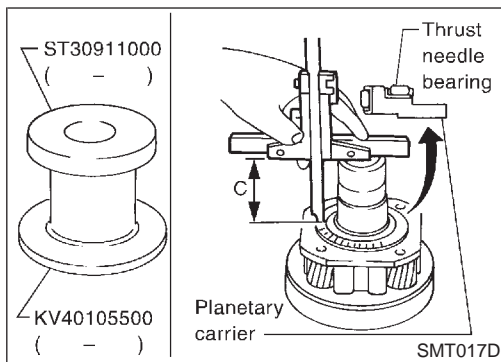


4. Set main gear bearing to front case, then press it.

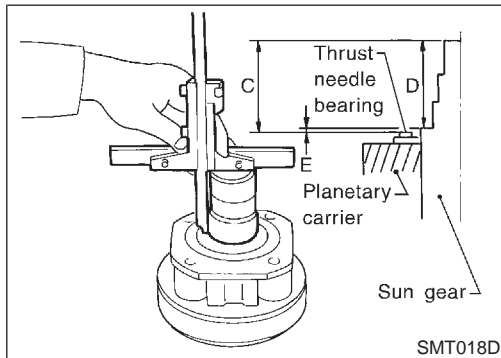


5. Install thrust needle bearing to sun gear.

6. Install sun gear to planetary carrier.



7. Set a support (KV40105500) to bushing replacer puller (ST30911000) as shown in the figure, and place planetary carrier on it.
8. Install thrust needle bearing to planetary carrier with its roller facing front case.
9. Measure "C" from the end of sun gear to the roller surface of thrust needle bearing.



10. Measure "D" from the end of sun gear to the main gear bearing contact surface.
11. Calculate end play "E" using "C" and "D" obtained in steps 10 and 11. Select bearing race so that the end play becomes the standard value.

Calculation formula:

$$\text{End play "E"} = \text{"C"} - \text{"D"}$$

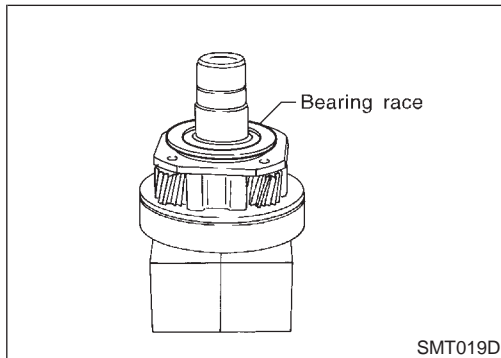
Standard end play:

$$0.1 - 0.25 \text{ mm (0.0039 - 0.0098 in)}$$

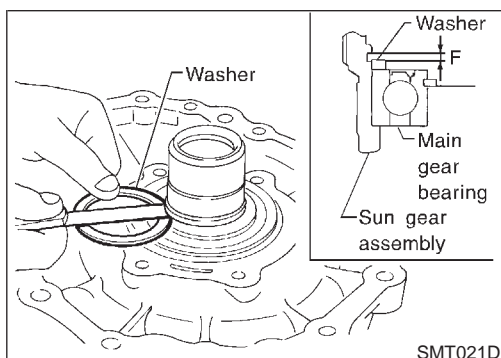
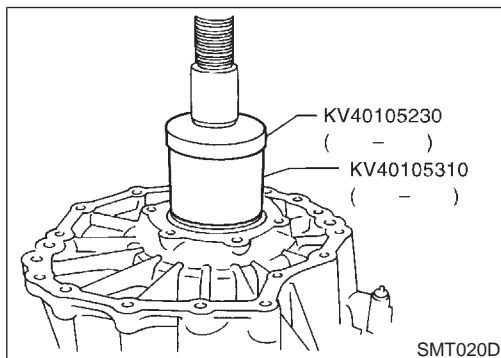
Bearing race:

Refer to SDS, TF-195.

12. Set planetary carrier to press in the status described in step 8. Then install the selected bearing race to planetary carrier.



13. Install front case to planetary carrier. Set a support ring (KV40105310) and an adapter B (KV40105230) to main gear bearing inner race, then press it.



14. Install washer to sun gear assembly, and select proper snap ring so that end play "F" of sun gear is within specifications.

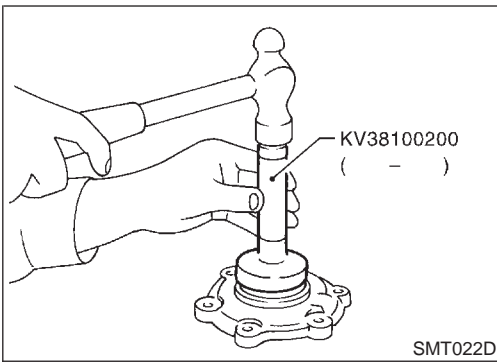
Standard end play "F":

$$0 - 0.15 \text{ mm (0 - 0.0059 in)}$$

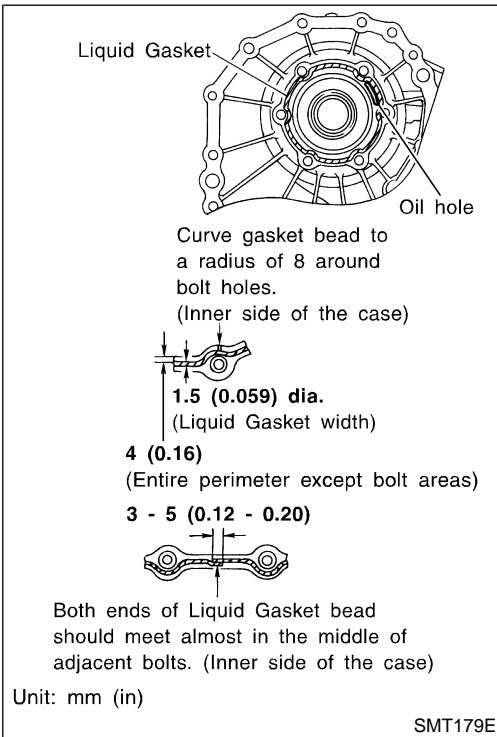
Snap ring: Refer to SDS, TF-195.

GI
MA
EM
LC
EC
FE
CL
MT
AT
TF
PD
AX
SU
BR
ST
RS
BT
HA
SC
EL
IDX

Front Case (Cont'd)



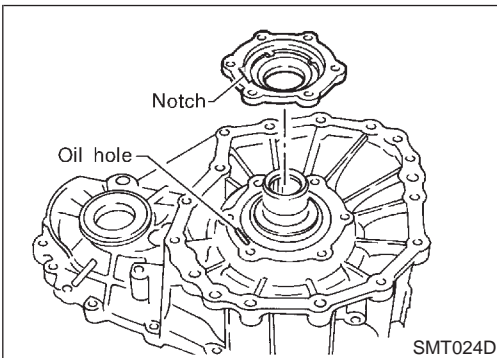
15. Install the selected snap ring.
 - **Do not reuse snap rings.**
16. Apply ATF to the periphery of new transfer cover oil seal, and attach it at 1.5 mm (0.059 in) from the transfer cover and face.
 - **Do not reuse oil seal.**



17. Apply Genuine Anaerobic Liquid Gasket or equivalent to transfer cover mounting surface of front case as shown in the figure. Refer to TF-158.

CAUTION:

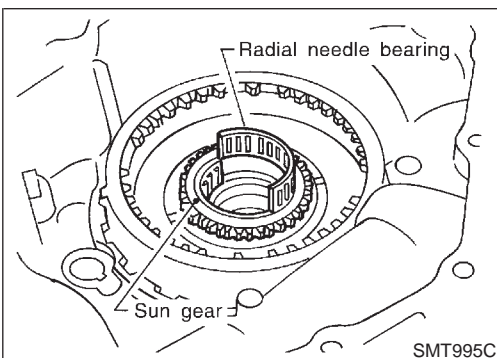
- **Remove all foreign materials such as water, oil, and grease from mating surfaces of front case and transfer cover.**
- **Prevent Liquid Gasket from entering into oil holes of front case.**



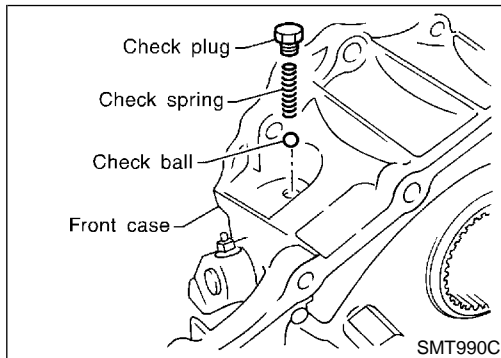
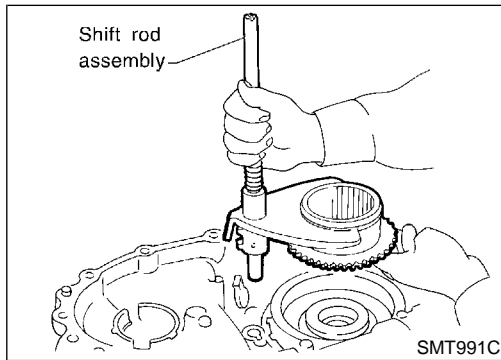
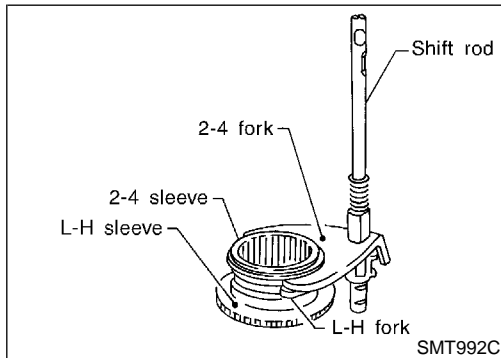
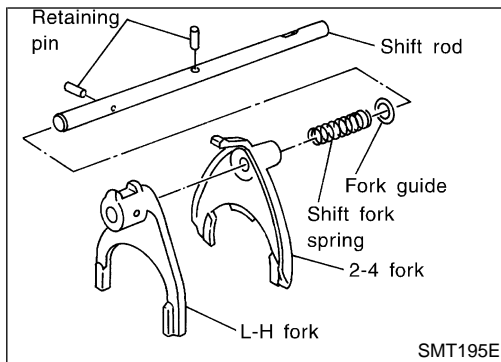
18. Align oil hole of front case with notch of transfer cover, and tighten bolts.

49 - 58 N·m (5.0 - 5.9 kg-m, 36 - 43 ft-lb)

- **Do not reuse bolts.**



19. Apply petroleum jelly to radial needle bearing, and install it inside sun gear.
20. Install shift rod assembly to front case assembly. Refer to "Shift Rod Assembly", TF-181.



Shift Rod Assembly

NATF0082S02

1. Install fork guide, shift fork spring, 2-4 fork, and L-H fork to shift rod, and secure them with retaining pins.

- **Do not reuse retaining pins.**

2. Install 2-4 sleeve and L-H sleeve to each fork.

3. While aligning L-H sleeve with planetary carrier, install shift rod assembly to front case.

4. Remove all the liquid gasket on check plug and front case, and install check ball and check spring to front case. Apply Genuine Thread Sealant or equivalent* to check plug, install it to front case, and tighten it to specified torque.

*: Refer to TF-158.

: 19 - 25 N·m (1.9 - 2.5 kg·m, 14 - 18 ft·lb)

5. Remove all the liquid gasket on the switch fitting and inner side of front case, and with wait detection switch threaded one pitch into the hole, apply Genuine Thread Sealant or equivalent* to the thread, install it, and tighten it to specified torque.

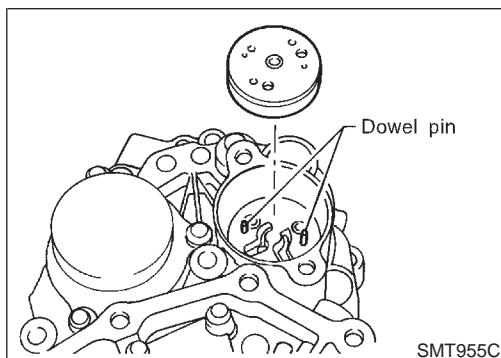
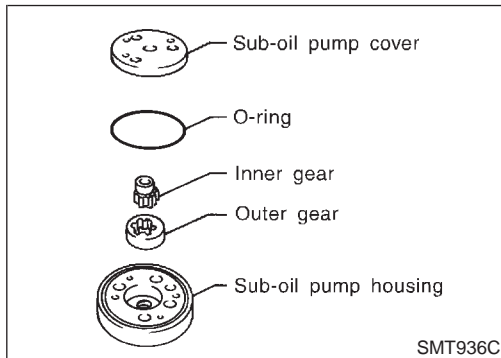
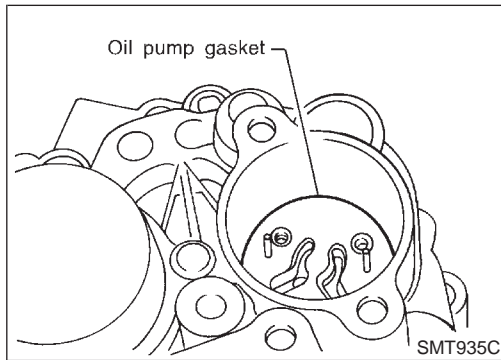
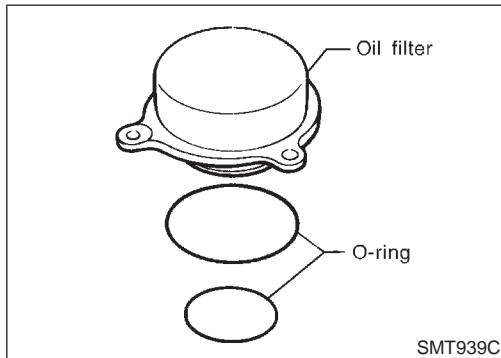
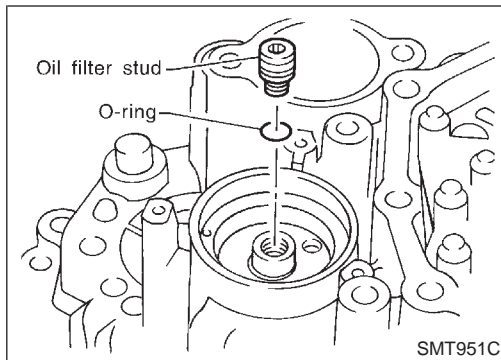
: 15 - 20 N·m (1.5 - 2.0 kg·m, 11 - 14 ft·lb)

- **Wait detection switch harness connector is black.**

6. Install center case assembly to front case assembly. Refer to "Final Assembly", TF-190.

7. Install rear case assembly to center case. Refer to "Final Assembly", TF-190.

GI
MA
EM
LC
EC
FE
CL
MT
AT
TF
PD
AX
SU
BR
ST
RS
BT
HA
SC
EL
IDX



Center Case

ASSEMBLY

NATF0083

Oil Filter

NATF0083S01

1. Apply ATF or petroleum jelly to new O-ring, and install it to oil filter stud.

- **Do not reuse O-rings.**

2. Install oil filter stud to center case, and tighten it.

: 26 - 35 N·m (2.6 - 3.6 kg-m, 20 - 26 ft-lb)

3. Apply ATF or petroleum jelly to two new O-rings, and install them to oil filter.

- **Do not reuse O-rings.**

4. Install oil filter to center case and tighten bolts.

: 7 - 9 N·m (0.7 - 0.9 kg-m, 61 - 78 in-lb)

- **Do not knock oil filter with a tool such as a hammer.**

Sub-oil Pump

NATF0083S02

1. Install new oil pump gasket to center case by aligning it with dowel pin inside the center case.

- **Do not reuse gaskets.**

2. Install outer gear* and inner gear to sub-oil pump housing, and measure side clearance. Refer to "Sub-oil Pump", "INSPECTION", TF-175.

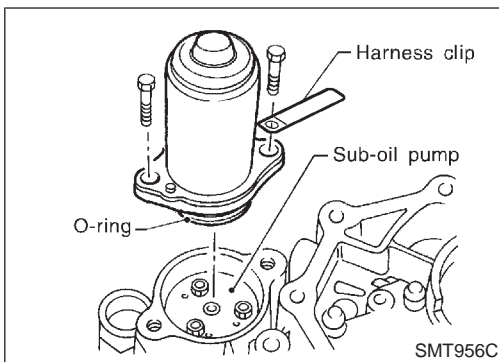
3. Set new O-ring to sub-oil pump housing, and install sub-oil pump cover.

- **Do not reuse O-rings.**

* Identification mark "▼" is placed on the side of sub-oil pump cover.

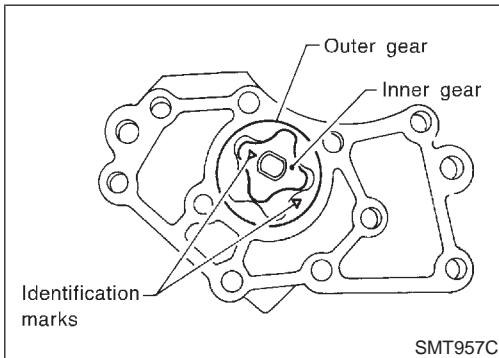
4. Align dowel pin hole and mounting bolt hole of sub-oil pump assembly with center case. Then tighten bolts.

: 7 - 9 N·m (0.7 - 0.9 kg-m, 61 - 78 in-lb)



5. Apply ATF or petroleum jelly to new O-ring and install it to transfer motor.
6. Fit double-flat end of transfer motor shaft into slot of sub-oil pump assembly. Then tighten bolts.

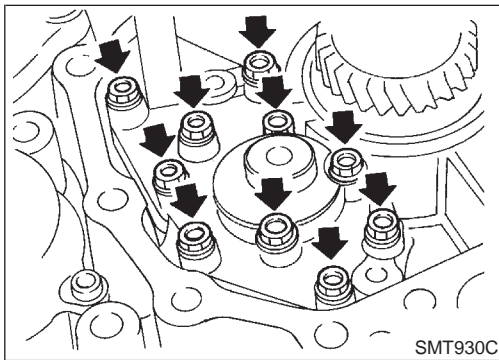
: 42 - 48 N-m (4.2 - 4.9 kg-m, 31 - 35 ft-lb)



Main Oil Pump

NATF0083S03

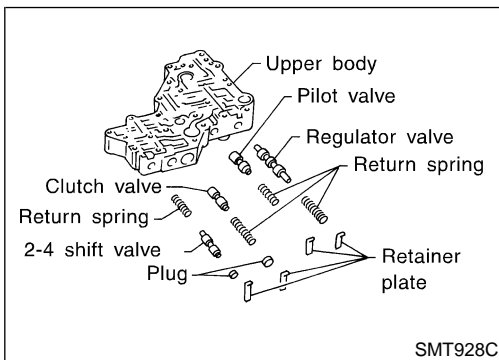
1. Install inner gear and outer gear in the main oil pump housing with their identification marks facing toward center case mounting surface side. Then, measure the side clearance. Refer to "Main Oil Pump", "Center Case", TF-175.



2. Install main oil pump assembly to center case assembly, and tighten bolts.

: 7 - 9 N-m (0.7 - 0.9 kg-m, 61 - 78 in-lb)

3. Install oil pump shaft to main oil pump, then install rear case assembly to center case. Refer to "Final Assembly", TF-190.



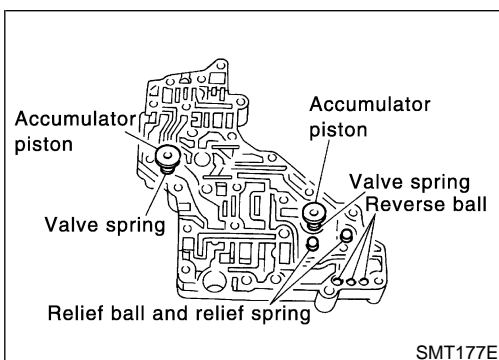
Control Valve

NATF0083S04

1. Clean upper body, control valves and springs with cleaning agent, and apply air blow.
2. Dip control valves in ATF, and apply ATF to the valve-mounting area of upper body.
3. Install each control valve, spring, and plug to upper body, and fix it with retainer plates.

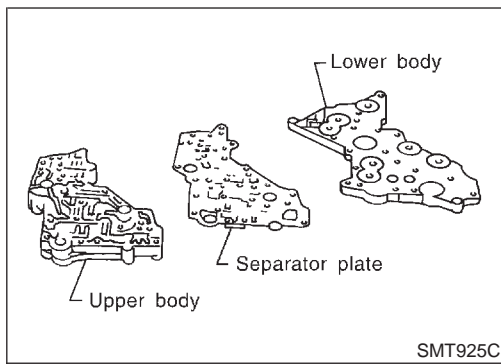
CAUTION:

- To insert control valves into upper body, place upper body on a level surface in order to prevent flaw or damage.
 - Make sure each control valve is smoothly inserted.
4. Install reverse balls, relief balls and relief springs, accumulator pistons and valve springs to upper body.

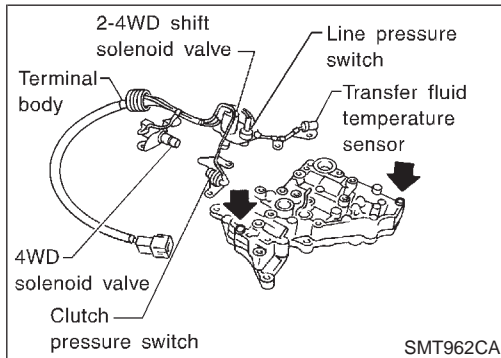


GI
MA
EM
LC
EC
FE
CL
MT
AT
TF
PD
AX
SU
BR
ST
RS
BT
HA
SC
EL
IDX

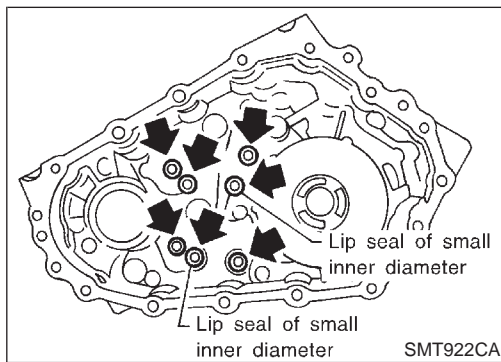
Center Case (Cont'd)



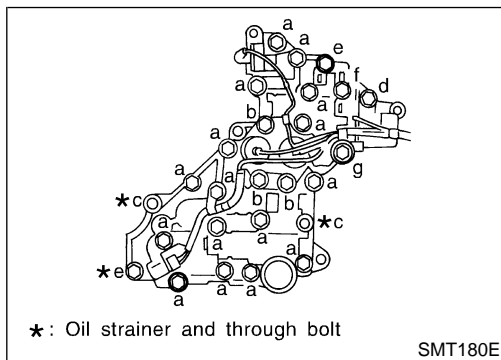
5. Install lower body and separator plate to upper body.
 - Do not reuse separator plates.



6. With lower body down, tighten two bolts in the position shown in the figure.
7. Apply ATF or petroleum jelly to new O-ring, and install it to 2-4WD shift solenoid valve, terminal body, line pressure switch and 4WD solenoid valve. Install them to control valve assembly.
 - Do not reuse O-rings.



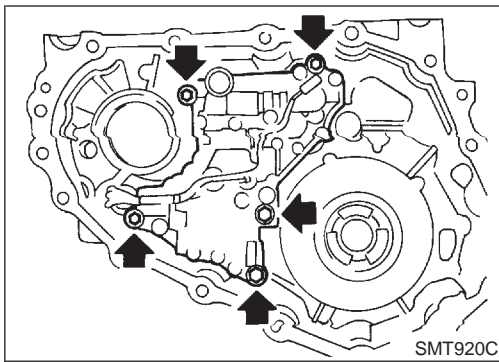
8. Apply ATF or petroleum jelly to lip seals, and install them to center case.
 - Do not reuse lip seals.
 - There are 2 kinds of lip seals (lip seal of large inner diameter: 5 pieces, lip seal of small inner diameter: 2 pieces). Confirm the position before installation.



9. Install bolts as shown in the figure, and tighten them to specified torque.

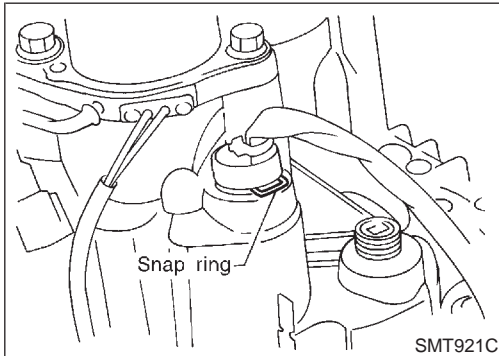
Bolt symbol	a	b	*c	d	e	f	g
Length under head mm (in)	38 (1.50)	43.5 (1.713)	62 (2.44)	19 (0.75)	47 (1.85)	40 (1.57)	52 (2.05)
Q'ty	16	3	2	1	2	1	1
Tightening torque N·m (kg·m, in·lb)	6.9 - 8.8 (0.70 - 0.90, 61.1 - 77.9)						

*: Tighten with oil strainer.

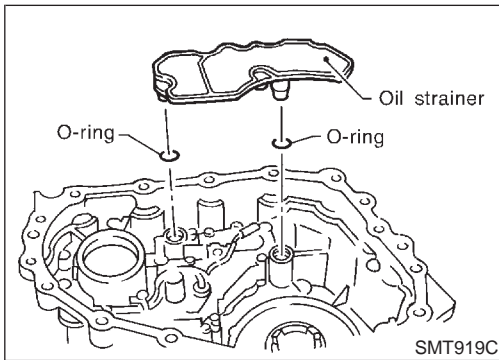


10. Install control valve assembly to center case, and tighten bolts.

: 6.9 - 8.8 N-m (0.70 - 0.90 kg-m, 61.1 - 77.9 in-lb)



11. Remove terminal from center case installation hole, and secure terminal body with snap ring.



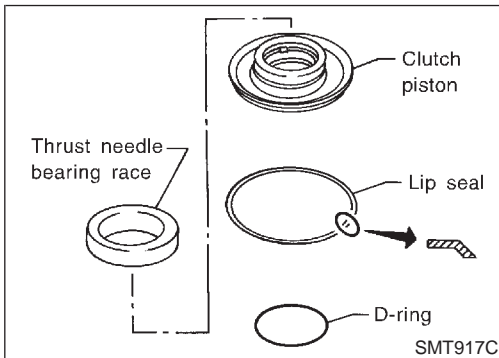
12. Apply ATF or petroleum jelly to O-rings, and install them to oil strainer.

CAUTION:
Do not reuse O-rings.

13. Install oil strainer to control valve assembly.

14. Install mainshaft and clutch drum to center case. Refer to "Mainshaft and Clutch Drum", TF-186.

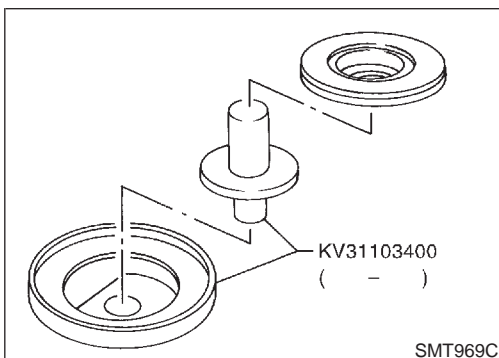
15. Install front case assembly and rear case assembly. Refer to "Final Assembly", TF-190.



Clutch Piston

1. Apply ATF to D-ring and lip seal, and install them to clutch piston.

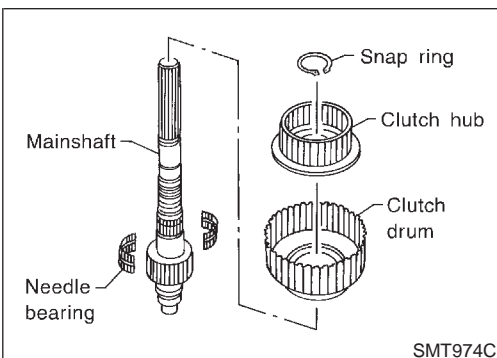
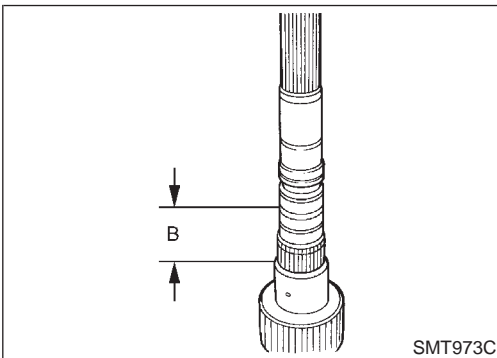
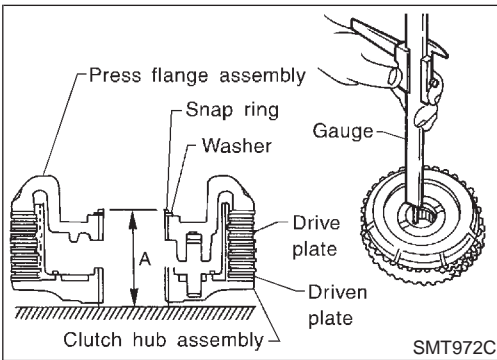
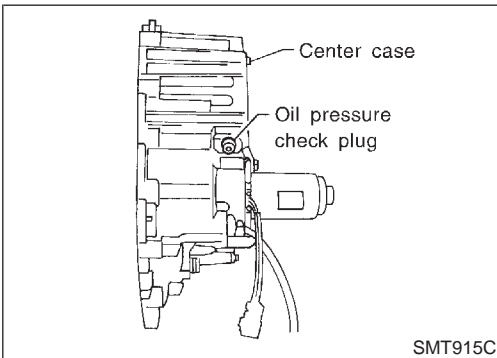
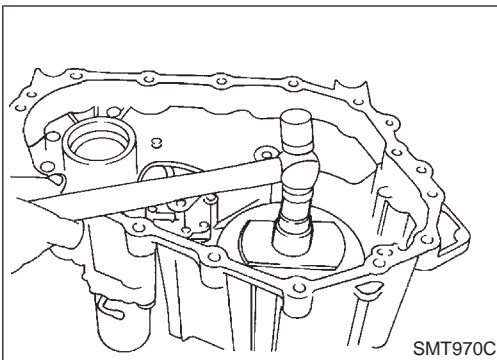
- Do not reuse lip seal and D-ring.



2. Set clutch piston to a clutch piston attachment (KV31103400).

GI
MA
EM
LC
EC
FE
CL
MT
AT
TF
PD
AX
SU
BR
ST
RS
BT
HA
SC
EL
IDX

Center Case (Cont'd)



3. Set the clutch piston attachment to center case, and install clutch piston, tap it lightly.
4. Install slide needle bearing race to clutch piston.

5. Remove all the liquid gasket from oil pressure check port and inside center case. With oil pressure check plug threaded in 1 or 2 pitches, apply Genuine Thread Sealant or equivalent to the thread of plug, and tighten. Refer to TF-158.

⚙️ : 10 - 17 N·m (1.0 - 1.7 kg·m, 87 - 148 in·lb)

6. Install mainshaft and clutch drum. Refer to "Mainshaft and Clutch Drum", TF-186.

Mainshaft and Clutch Drum

NATF0083S06

1. Install drive plates, driven plates and press flange to clutch hub.
2. Place clutch hub on a surface plate and measure dimension "A" between snap ring mounting surface of press flange and clutch drum sliding face of clutch hub.

CAUTION:
Measure at least 2 points, and take an average.

3. Measure dimension "B" between the gear end of mainshaft and the snap ring mounting portion.
4. Calculate end play using dimension "A" and dimension "B" (obtained in steps 2 and 3), and select proper retaining plate so that the end play is within specifications.

Calculation formula:

End play = B - A - Retaining plate thickness

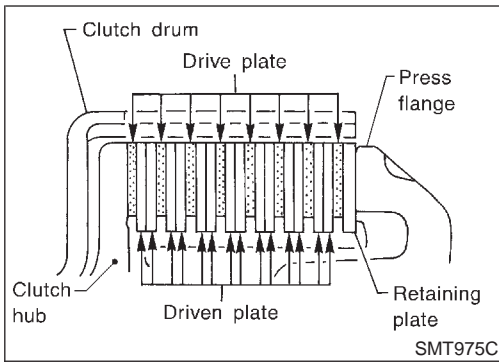
Standard end play:

0.2 - 0.5 mm (0.008 - 0.020 in)

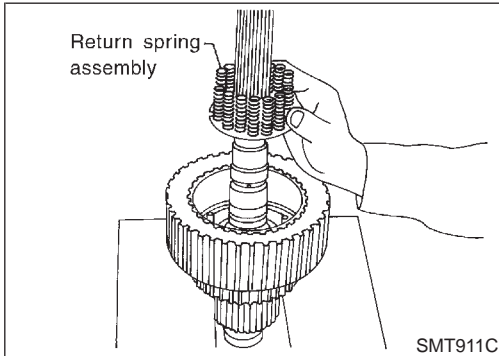
Retaining plate:

Refer to SDS, TF-194.

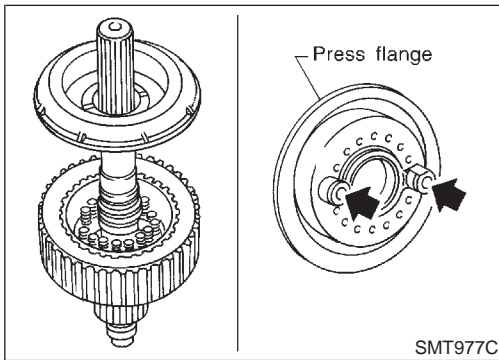
5. Install clutch drum, needle bearing and clutch hub to mainshaft, and secure them with snap ring.
- **Do not reuse snap ring.**



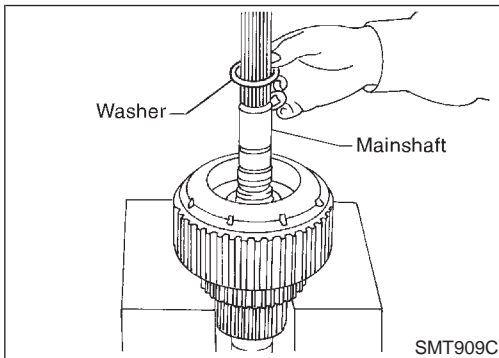
6. Install each clutch to clutch drum.



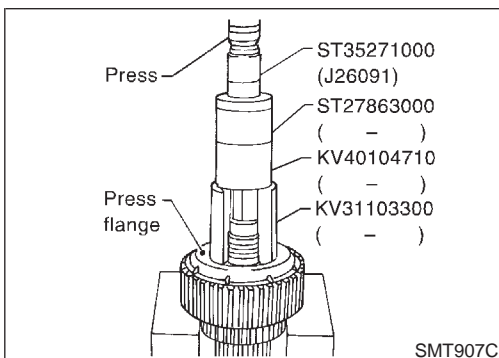
7. Align the notch of return spring assembly with the pin of clutch hub, and install it.



8. Install press flange (with the holes indicated by arrows aligned with pins of clutch hub).



9. Install washer.



10. Pass mainshaft through snap ring. Set a drift (KV31103300), a support ring (KV40104710), a support ring (ST27863000) and a drift (ST35271000) to press flange at the position shown in the figure, and press snap ring until it fits into snap ring groove on mainshaft.

- **Do not reuse snap ring.**

GI

MA

EM

LC

EC

FE

CL

MT

AT

TF

PD

AX

SU

BR

ST

RS

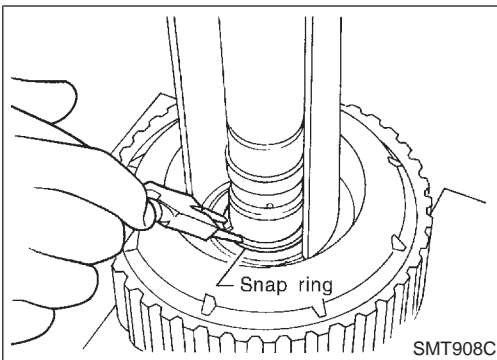
BT

HA

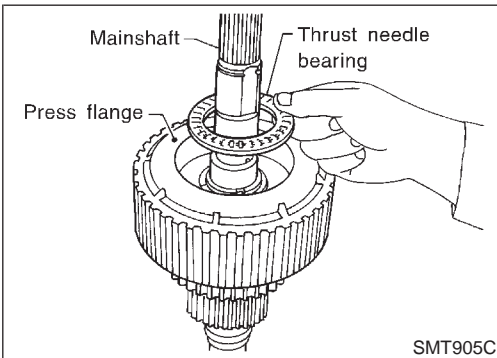
SC

EL

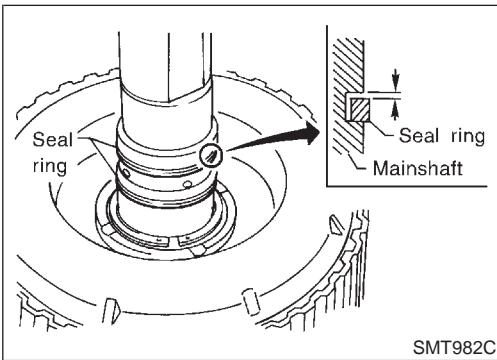
IDX



11. Fix snap ring to mainshaft.



12. Install thrust needle bearing to press flange.



13. Apply petroleum jelly to new seal rings, and install them to mainshaft. Measure clearance between seal ring and groove using feeler gauge.

Standard clearance:

0.05 - 0.30 mm (0.0020 - 0.0118 in)

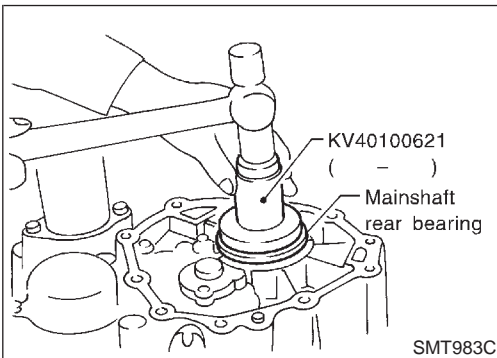
Limit clearance:

0.30 mm (0.0118 in)

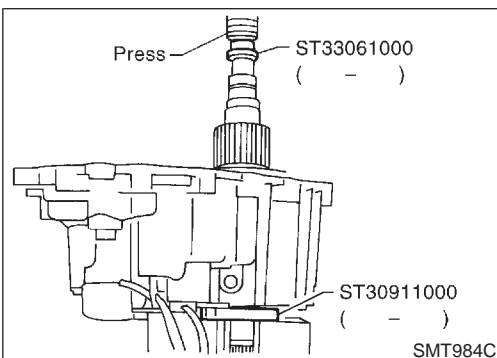
- Pass seal ring from mainshaft rear end to install it.

Seal ring dimension:

Refer to SDS, TF-195.

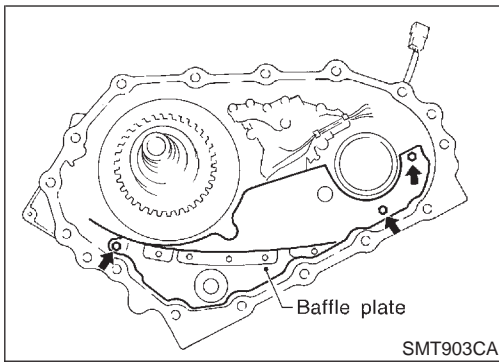


14. Install mainshaft rear bearing to center case.



15. Place puller (ST30911000) to mainshaft rear bearing inner race, and set it to press stand.

16. Place adapter (ST33061000) to the tip of mainshaft, and press mainshaft into center case.

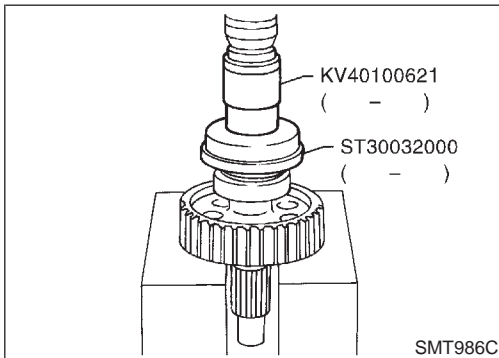


17. Install baffle plate to center case, and tighten bolts.

: 3.7 - 5.0 N-m (0.38 - 0.51 kg-m, 33.0 - 44.3 in-lb)

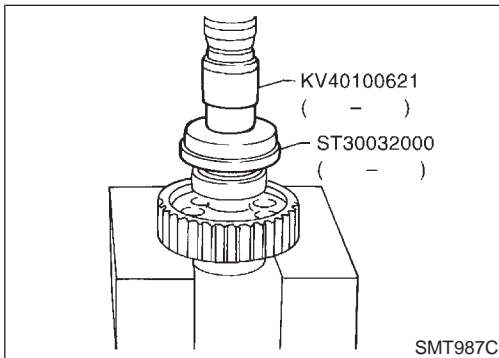
18. Install front drive shaft and drive chain. Refer to "Front Drive Shaft and Drive Chain" below.

19. Install front case assembly and rear case assembly. Refer to "Final Assembly", TF-190.

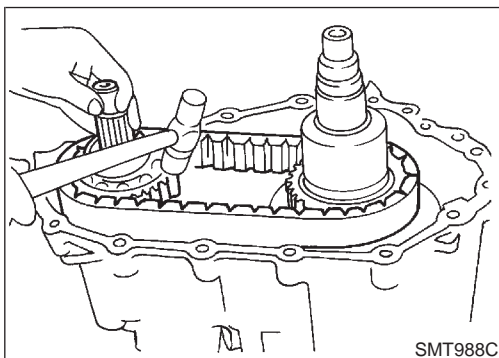


Front Drive Shaft and Drive Chain

1. Place a base (ST30032000) to front drive shaft rear bearing inner race, and press it using a drift (KV40100621). NATF0083S07



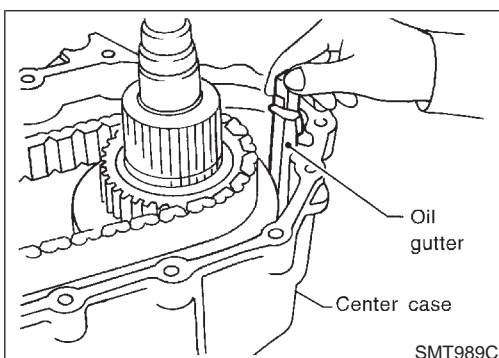
2. Place base (ST30032000) to front drive shaft front bearing inner race, and press it using the drift (KV40100621).



3. Install drive chain temporarily to front drive shaft and drive gear of clutch drum.

4. Tap front drive shaft with a plastic hammer while keeping it upright and press-fit front drive shaft rear bearing.

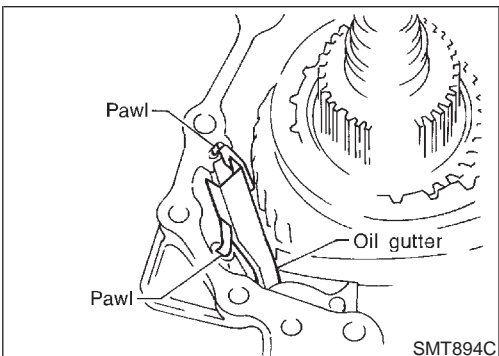
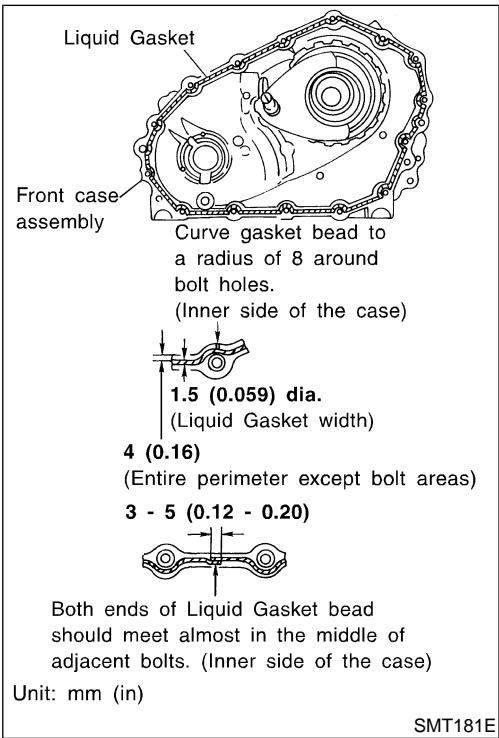
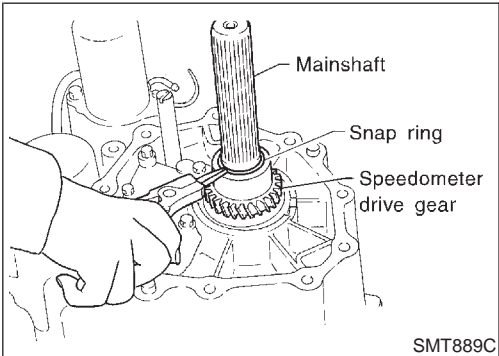
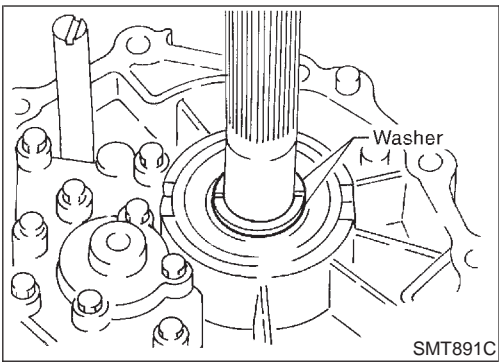
● **Be careful not to tap drive chain with a hammer.**



5. Align claw of oil gutter with center case, and install it.

6. Install front case assembly and rear case assembly. Refer to "Final Assembly", TF-190.

GI
MA
EM
LC
EC
FE
CL
MT
AT
TF
PD
AX
SU
BR
ST
RS
BT
HA
SC
EL
IDX



Final Assembly

1. Install C-rings to mainshaft rear bearing.

2. Check speedometer drive gear teeth for abnormal wear. Set speedometer drive gear properly on mainshaft, and secure it with snap ring.

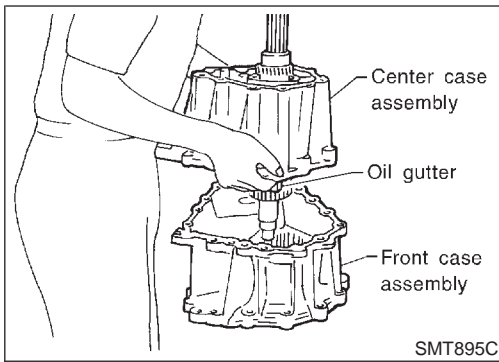
- Do not reuse snap ring.

3. Apply Genuine Anaerobic Liquid Gasket or equivalent to the entire center case mounting surface of front case as shown in the figure. Refer to TF-158.

CAUTION:

Remove all foreign materials such as water, oil and grease from center case and front case mating surfaces.

4. Make sure the two claws of oil gutter are securely attached to slots in center case.

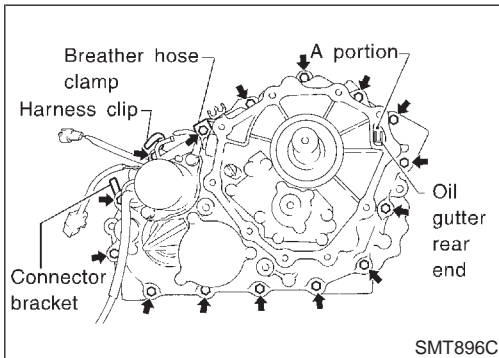


5. With the claws of oil gutter held by a finger, install center case assembly to front case assembly.

CAUTION:

Pay careful attention so that mainshaft end does not damage radial needle bearing in sun gear assembly.

6. Tap center case lightly with a rubber hammer or the like and press-fit front drive shaft bearing into front case.

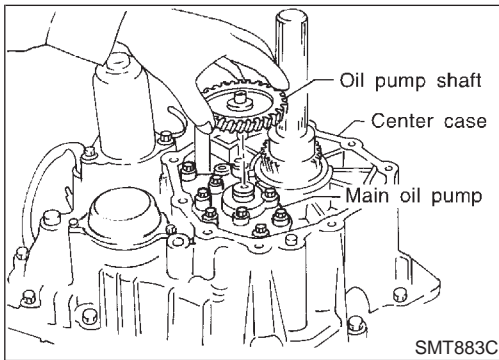


7. Make sure oil gutter rear end protrudes from point "A" in the figure.

8. Tighten bolts to specified torque.

⚙️ : 42 - 48 N·m (4.2 - 4.9 kg·m, 31 - 35 ft·lb)

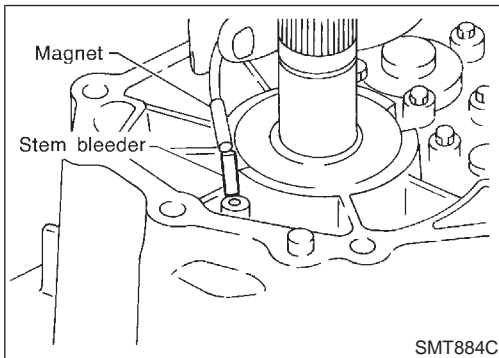
- Be sure to install air breather hose clamp, connector bracket and harness clip.



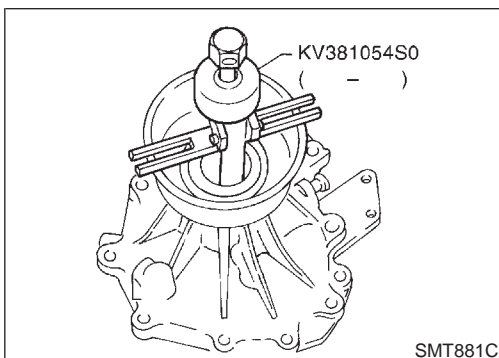
9. Fit double-flat end of oil pump shaft into slot of main oil pump and install it.

NOTE:

When oil pump shaft is rotated slightly, it drops into position where both parts fit.



10. Install stem bleeder to center case.

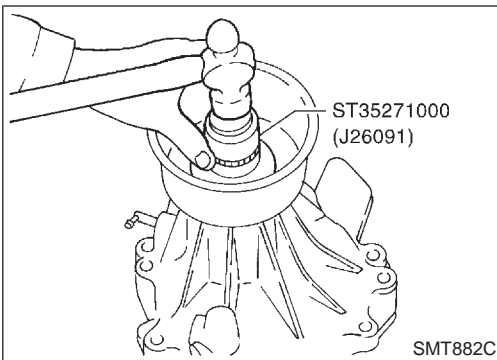


11. Remove rear oil seal.

- Do not reuse oil seal.

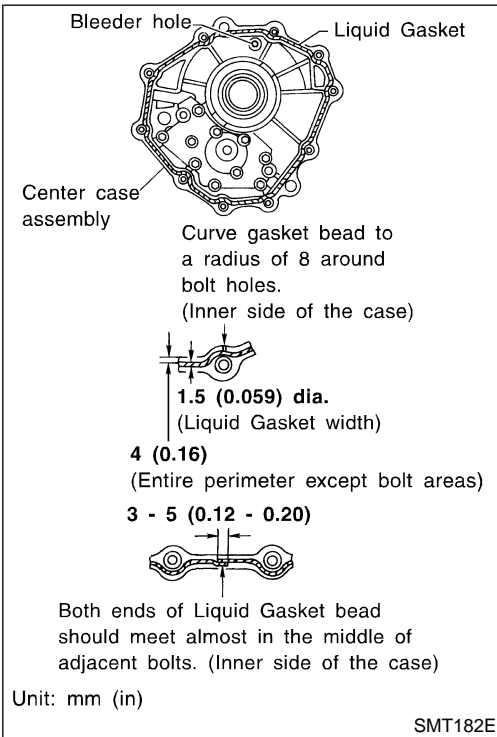
GI
MA
EM
LC
EC
FE
CL
MT
AT
TF
PD
AX
SU
BR
ST
RS
BT
HA
SC
EL
IDX

Final Assembly (Cont'd)



12. Apply ATF to the circumference of new rear oil seal, and tap it using a drift as shown in the figure so that it is aligned with case tip face.

- Apply multi-purpose grease to oil seal lip.



13. Apply Genuine Anaerobic Liquid Gasket or equivalent to entire rear case mounting surface of center case as shown in the figure.

Refer to TF-158.

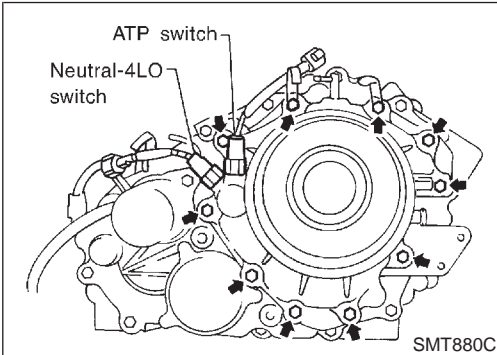
CAUTION:

- Remove all foreign materials such as water, oil, and grease from center case and rear case mating surfaces.
- Be careful not to allow Liquid Gasket to clog bleeder hole.

14. Install rear case to center case, and tighten bolts to specified torque.

: 42 - 48 N-m (4.2 - 4.9 kg-m, 31 - 35 ft-lb)

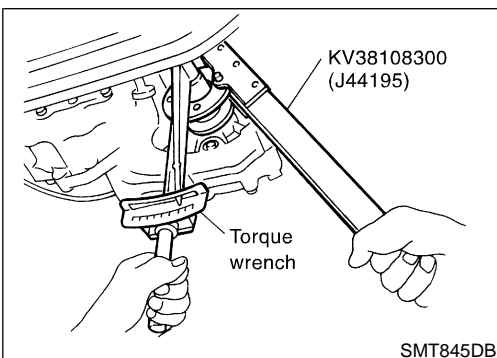
- Be sure to attach harness clips.



15. Remove all the gasket fluid from switch mounting area and inside rear case, with ATP switch and neutral-4LO switch threaded in 1 to 2 pitches, apply Genuine Thread Sealant or equivalent to the thread of the switches and tighten it to specified torque.

: 15 - 20 N-m (1.5 - 2.0 kg-m, 11 - 14 ft-lb)

16. Install rear case assembly to center case assembly.



17. Install companion flange to front drive shaft, and tighten lock nut.

: 226 - 324 N-m (23.0 - 33.0 kg-m, 166 - 239 ft-lb)

- Do not reuse lock nut.

General Specifications

NATF0085

Transfer model			ATX14A
Gear ratio	High		1.000
	Low		2.596
Number of teeth	Planetary gear	Sun gear	57
		Internal gear	91
	Front drive sprocket		35
	Front drive shaft		35
Fluid capacity ℓ (US qt, Imp qt)*			3.0 (3-1/8, 2-5/8)

*: Refer to MA-12, "Fluids and Lubricants".

Inner Gear and Outer Gear

NATF0086

SUB-OIL PUMP

NATF0086S01

Allowable clearance	0.015 - 0.035 mm (0.0006 - 0.0014 in)		
Gear thickness mm (in)	Part No.*		
	Inner gear	Outer gear	
9.27 - 9.28 (0.3650 - 0.3654)	31346 0W462	31347 0W462	
9.28 - 9.29 (0.3654 - 0.3657)	31346 0W461	31347 0W461	
9.29 - 9.30 (0.3657 - 0.3661)	31346 0W460	31347 0W460	

*: Always check with the Parts Department for the latest parts information.

MAIN OIL PUMP

NATF0086S02

Allowable clearance	0.015 - 0.035 mm (0.0006 - 0.0014 in)		
Gear thickness mm (in)	Part No.*		
	Inner gear	Outer gear	
14.67 - 14.68 (0.5776 - 0.5780)	31346 0W412	31347 0W412	
14.68 - 14.69 (0.5780 - 0.5783)	31346 0W411	31347 0W411	
14.69 - 14.70 (0.5783 - 0.5787)	31346 0W410	31347 0W410	

*: Always check with the Parts Department for the latest parts information.

Control Valve

NATF0087

VALVE

NATF0087S01

Mounting position	Part name	Part No.*	Outer dia. mm (in)	Overall length mm (in)
L1	2-4 shift valve	31772 21X00	8.0 (0.315)	38.5 (1.516)
L2	Clutch valve	31772 80X11	10.0 (0.394)	40.0 (1.575)
L4	Pilot valve	31772 80X11	10.0 (0.394)	40.0 (1.575)
L5	Regulator valve	31741 0W410	12.0 (0.472)	68.0 (2.677)

*: Always check with the Parts Department for the latest parts information.

SPRING

NATF0087S02

Mounting position	Part name	Part No.*	Free length mm (in)	Outer dia. mm (in)	Wire dia. mm (in)	Winding direction
L1	2-4 shift valve spring	31742 0W400	31.85 (1.2539)	7.0 (0.276)	0.6 (0.024)	Clockwise

SERVICE DATA AND SPECIFICATIONS (SDS)

ATX14A

Control Valve (Cont'd)

Mounting position	Part name	Part No.*	Free length mm (in)	Outer dia. mm (in)	Wire dia. mm (in)	Winding direction
L2	Clutch valve spring	31742 0W405	40.6 (1.598)	9.0 (0.354)	0.8 (0.031)	Clockwise
L4	Pilot valve spring	31742 0W410	28.1 (1.106)	9.0 (0.354)	1.2 (0.047)	Clockwise
L5	Regulator valve spring	31742 0W415	39.7 (1.563)	11.0 (0.433)	1.3 (0.051)	Clockwise

*: Always check with the Parts Department for the latest parts information.

Clutch

NATF0088

DRIVE PLATE

NATF0088S01

Part No.*	Quantity	Initial thickness mm (in)	Limit value mm (in)
31532 0W410	8	2.0 (0.079)	1.8 (0.071)

*: Always check with the Parts Department for the latest parts information.

DRIVEN PLATE

NATF0088S04

Part No.*	Quantity	Initial thickness mm (in)	Limit value mm (in)
31536 0W410	14	2.0 (0.079)	0 (0) (steel plate)

*: Always check with the Parts Department for the latest parts information.

RETURN SPRING

NATF0088S02

Stamped mark	Part No.*	Free length mm (in)	Outer dia. mm (in)	Wire dia. mm (in)	Winding direction
1	31521 0W401	37.3 (1.496)	12.0 (0.472)	1.8 (0.071)	Clockwise
2	31521 0W402	37.8 (1.488)			
3	31521 0W403	38.4 (1.512)			
4	31521 0W404	38.9 (1.531)			
5	31521 0W405	39.4 (1.551)			
6	31521 0W406	40.0 (1.575)			
7	31521 0W407	36.8 (1.449)			
8	31521 0W408	40.5 (1.594)			

*: Always check with the Parts Department for the latest parts information.

RETAINING PLATE

NATF0088S03

Standard end play	0.2 - 0.5 mm (0.008 - 0.020 in)	
Measured value mm (in)	Part No.*	Thickness mm (in)
2.30 - 2.50 (0.0906 - 0.0984)	31537 0W410	2.1 (0.083)
2.50 - 2.70 (0.0984 - 0.1063)	31537 0W411	2.3 (0.091)
2.70 - 2.90 (0.1063 - 0.1142)	31537 0W412	2.5 (0.098)
2.90 - 3.10 (0.1142 - 0.1220)	31537 0W413	2.7 (0.106)
3.10 - 3.30 (0.1220 - 0.1299)	31537 0W414	2.9 (0.114)
3.30 - 3.50 (0.1299 - 0.1378)	31537 0W415	3.1 (0.122)
3.50 - 3.70 (0.1378 - 0.1457)	31537 0W416	3.3 (0.130)
3.70 - 3.90 (0.1457 - 0.1535)	31537 0W417	3.5 (0.138)
3.90 - 4.10 (0.1535 - 0.1614)	31537 0W418	3.7 (0.146)
4.10 - 4.30 (0.1614 - 0.1693)	31537 0W419	3.9 (0.154)

SERVICE DATA AND SPECIFICATIONS (SDS)

ATX14A
Clutch (Cont'd)

Standard end play	0.2 - 0.5 mm (0.008 - 0.020 in)	
Measured value mm (in)	Part No.*	Thickness mm (in)
4.30 - 4.50 (0.1693 - 0.1772)	31537 0W420	4.1 (0.161)
4.50 - 4.70 (0.1772 - 0.1850)	31537 0W421	4.3 (0.169)
4.70 - 4.90 (0.1850 - 0.1929)	31537 0W422	4.5 (0.177)
4.90 - 5.10 (0.1929 - 0.2008)	31537 0W423	4.7 (0.185)

*: Always check with the Parts Department for the latest parts information.

Seal Ring (Mainshaft side)

NATF0089

Standard clearance Limit clearance	0.05 - 0.30 mm (0.0020 - 0.0118 in) 0.30 mm (0.0118 in)		
Part No.*	Outer dia. mm (in)	Inner dia. mm (in)	Thickness mm (in)
31525 0W410	40.8 (1.606)	36.9 (1.453)	1.97 (0.0776)

*: Always check with the Parts Department for the latest parts information.

Bearing Race (Thrust needle bearing side)

NATF0090

Standard end play	0.1 - 0.25 mm (0.0039 - 0.0098 in)	
End play (Dimension "E") mm (in)	Part No.*	Thickness mm (in)
1.785 - 1.800 (0.0703 - 0.0709)	31439 0W410	1.6 (0.063)
1.800 - 1.900 (0.0709 - 0.0748)	31439 0W411	1.7 (0.067)
1.900 - 2.000 (0.0748 - 0.0787)	31439 0W412	1.8 (0.071)
2.000 - 2.100 (0.0787 - 0.0827)	31439 0W413	1.9 (0.075)
2.100 - 2.200 (0.0827 - 0.0866)	31439 0W414	2.0 (0.079)
2.200 - 2.270 (0.0866 - 0.0894)	31439 0W415	2.1 (0.083)

*: Always check with the Parts Department for the latest parts information.

Snap Ring (Sun gear side)

NATF0091

Standard end play	0 - 0.15 mm (0 - 0.0059 in)	
End play (Dimension "F") mm (in)	Part No.*	Thickness mm (in)
2.40 - 2.50 (0.0945 - 0.0984)	33112 0W411	2.4 (0.094)
2.50 - 2.60 (0.0984 - 0.1024)	33112 0W412	2.5 (0.098)
2.60 - 2.70 (0.1024 - 0.1063)	33112 0W413	2.6 (0.102)

*: Always check with the Parts Department for the latest parts information.

NOTES