

A

ACC

SECTION ACC

ACCELERATOR CONTROL SYSTEM

C

CONTENTS

D

E

ACCELERATOR CONTROL SYSTEM 2		
Components 2	ERATOR PEDAL 4	F
Removal and Installation 3	INSTALLATION 4	
REMOVAL FOR ADJUSTABLE ACCELERATOR	INSPECTION AFTER INSTALLATION 4	
PEDAL 3	SERVICE DATA AND SPECIFICATIONS (SDS) 5	G
REMOVAL FOR NON-ADJUSTABLE ACCEL-	Accelerator Control 5	
	ADJUSTABLE AND NON-ADJUSTABLE	
	ACCELERATOR PEDAL 5	H

ACCELERATOR CONTROL SYSTEM

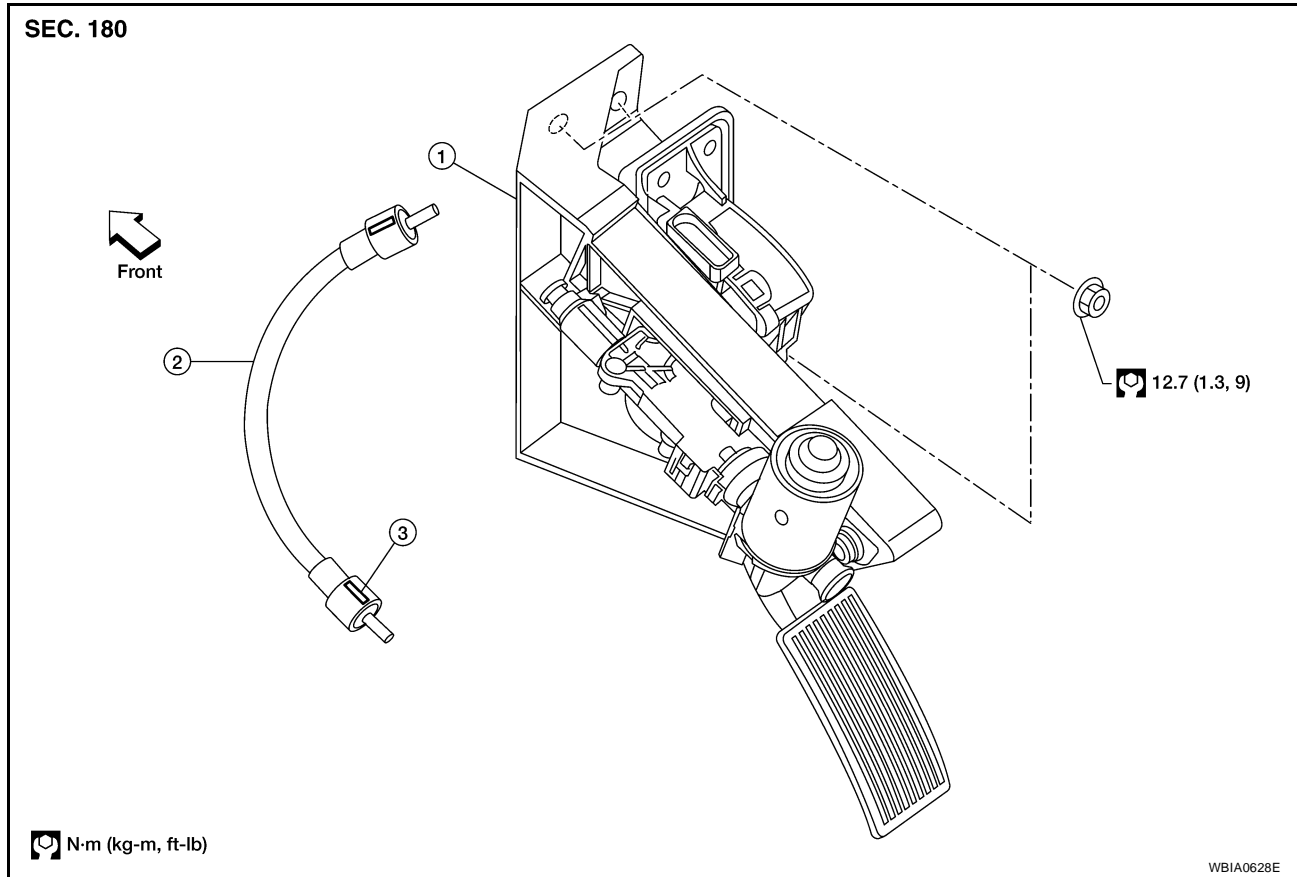
ACCELERATOR CONTROL SYSTEM

PF18005

Components

EBS00M4J

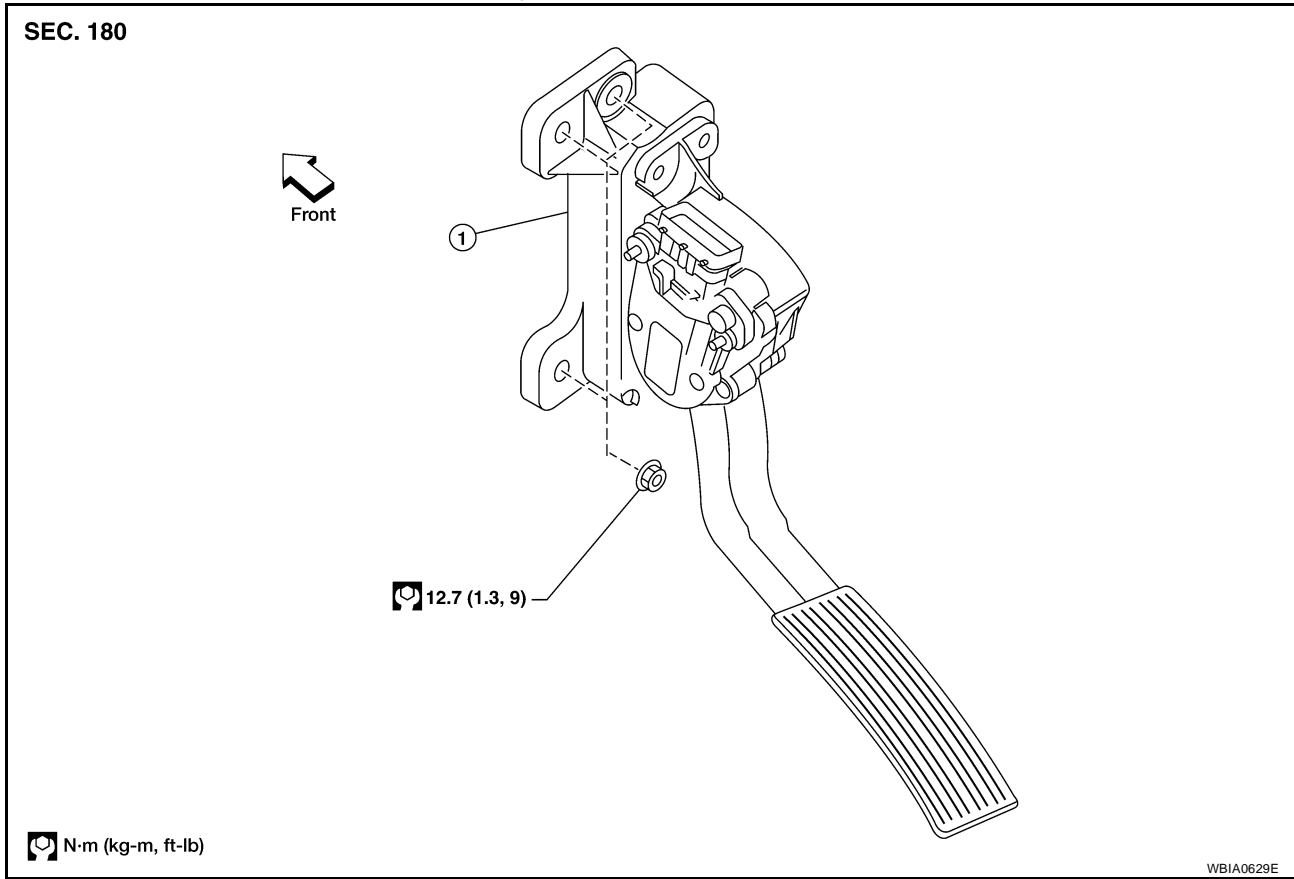
Adjustable Accelerator Pedal



1. Adjustable accelerator pedal assembly
2. Adjustable brake pedal cable
3. Adjustable brake pedal cable lock tab (part of the cable)

ACCELERATOR CONTROL SYSTEM

Non-adjustable Accelerator Pedal



1. Non-adjustable accelerator pedal assembly

CAUTION:

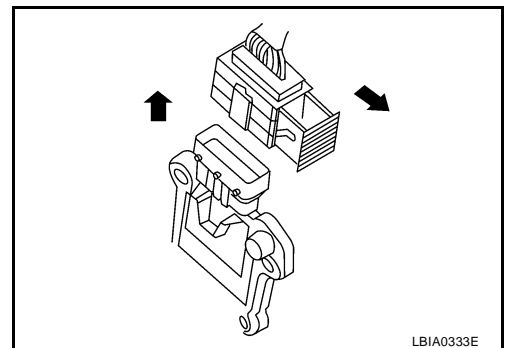
- Before removal and installation, the adjustable accelerator and brake pedals must be in the frontmost position, if equipped. This is to align the base position of the accelerator and brake pedals.
- Do not disassemble the accelerator pedal assembly.
- Do not remove the accelerator pedal position sensor from the accelerator pedal bracket.
- Do not disassemble the accelerator pedal adjusting mechanism.
- Avoid damage from dropping the accelerator pedal assembly during handling.
- Keep the accelerator pedal assembly away from water.

Removal and Installation

REMOVAL FOR ADJUSTABLE ACCELERATOR PEDAL

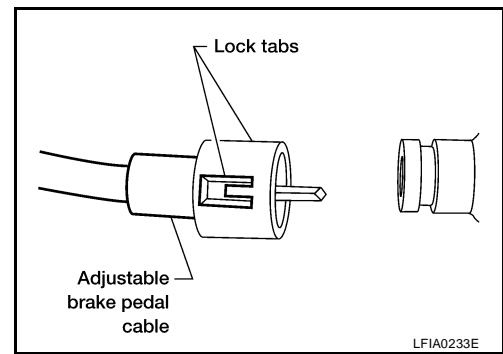
EBS00KB3

1. Move the accelerator and brake pedals to the frontmost position.
2. Turn the ignition switch OFF and disconnect the negative battery terminal.
3. Disconnect the adjustable pedal electric motor electrical connector.
4. Disconnect the adjustable pedal electric motor memory electrical connector, if equipped.
5. Disconnect the accelerator position sensor electrical connector.
 - a. Pull the connector lock back to unlock the connector from the accelerator pedal position sensor as shown.
 - b. Pull up on the connector to disconnect it from the accelerator pedal position sensor as shown.



ACCELERATOR CONTROL SYSTEM

6. Disconnect the adjustable brake pedal cable from the adjustable accelerator pedal.
 - Release the two lock tabs, then pull the adjustable brake pedal cable to disconnect it from the adjustable accelerator pedal.



7. Remove the two upper and one lower accelerator pedal nuts.
8. Remove the adjustable accelerator pedal assembly.

CAUTION:

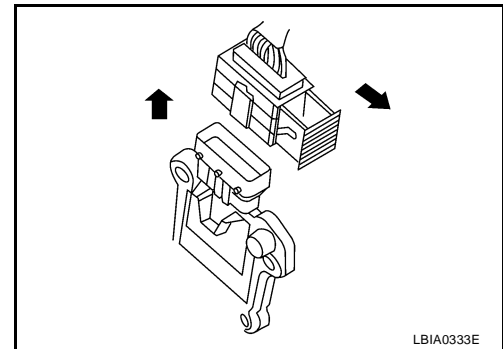
- Do not disassemble the accelerator pedal assembly.
- Do not remove the accelerator pedal position sensor from the accelerator pedal bracket.
- Do not disassemble the accelerator pedal adjusting mechanism.
- Avoid damage from dropping the accelerator pedal assembly during handling.
- Keep the accelerator pedal assembly away from water.

REMOVAL FOR NON-ADJUSTABLE ACCELERATOR PEDAL

1. Disconnect the negative battery terminal.
2. Disconnect the accelerator position sensor electrical connector.
 - a. Pull the connector lock back to unlock the connector from the accelerator pedal position sensor as shown.
 - b. Pull up on the connector to disconnect it from the accelerator pedal position sensor as shown.
3. Remove the two upper and one lower accelerator pedal nuts.
4. Remove the accelerator pedal assembly.

CAUTION:

- Do not disassemble the accelerator pedal assembly.
- Do not remove the accelerator pedal position sensor from the accelerator pedal bracket.
- Avoid damage from dropping the accelerator pedal assembly during handling.
- Keep the accelerator pedal assembly away from water.



INSTALLATION

Installation is in the reverse order of removal.

INSPECTION AFTER INSTALLATION

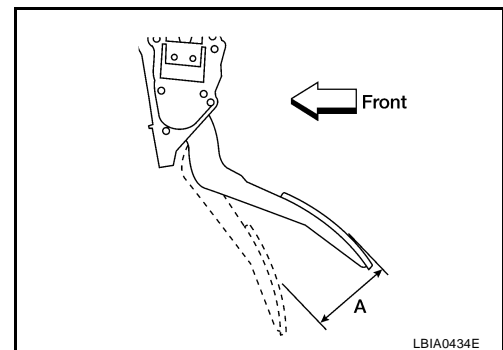
- Check that the accelerator pedal moves smoothly within the specified range.

Accelerator pedal - total pedal applied stroke "A" : 48 mm (1.89 in)

- Check that the accelerator pedal smoothly returns to the original position.
- Perform an electrical inspection of the accelerator pedal position sensor. Refer to [EC-650, "DTC P2138 APP SENSOR"](#).

CAUTION:

When the harness connector of the accelerator pedal position sensor is disconnected, perform "Accelerator Pedal Released Position Learning". Refer to [EC-88, "Accelerator Pedal Released Position Learning"](#).



SERVICE DATA AND SPECIFICATIONS (SDS)

SERVICE DATA AND SPECIFICATIONS (SDS)

PFP:00030

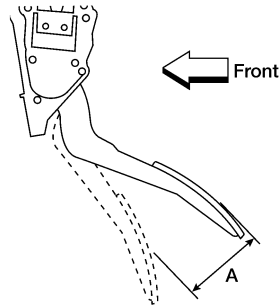
Accelerator Control ADJUSTABLE AND NON-ADJUSTABLE ACCELERATOR PEDAL

EBS00KB4

Unit: mm (in)

A

ACC



C

D

E

Accelerator pedal - total pedal applied stroke "A"

48 (1.89)

F

G

H

I

J

K

L

M

SERVICE DATA AND SPECIFICATIONS (SDS)
