

SECTION **SRS**

SUPPLEMENTAL RESTRAINT SYSTEM (SRS)

A
B
C
D
E
F
G
SRS
I
J
K
L
M

CONTENTS

PRECAUTIONS	3	DIAGNOSTIC PROCEDURE 7	35
Precautions for Supplemental Restraint System (SRS) "AIR BAG" and "SEAT BELT PRE-TENSIONER"	3	DIAGNOSTIC PROCEDURE 8 (CONTINUED FROM DIAGNOSTIC PROCEDURE 6)	37
Precautions for SRS "Air Bag" and "Seat Belt Pretensioner" Service	3	Trouble Diagnoses: "AIR BAG" Warning Lamp Does Not Turn Off	38
After A Collision	4	DIAGNOSTIC PROCEDURE 9	38
Wiring Diagrams and Trouble Diagnosis	4	Trouble Diagnoses: "AIR BAG" Warning Lamp Does Not Turn On	39
PREPARATION	5	DIAGNOSTIC PROCEDURE 10	39
Special Service Tools	5	DIAGNOSIS SENSOR UNIT	40
SRS CONFIGURATION	6	Removal and Installation	40
Description	6	CRASH ZONE SENSOR	41
SRS Component Parts Location	7	Removal and Installation	41
Direct-connect SRS Component Connectors	7	SIDE AIR BAG (SATELLITE) SENSOR	42
TROUBLE DIAGNOSIS	8	Removal and Installation	42
Trouble Diagnoses Introduction	8	REMOVAL	42
DIAGNOSIS FUNCTION	8	INSTALLATION	42
DIAGNOSIS MODE FOR CONSULT-II	8	FRONT SEAT BELT PRE-TENSIONER	43
HOW TO CHANGE SELF-DIAGNOSIS MODE WITH CONSULT-II	9	Removal and Installation	43
HOW TO CHANGE SELF-DIAGNOSIS MODE WITHOUT CONSULT-II	9	DRIVER AIR BAG MODULE AND SPIRAL CABLE ..	44
HOW TO ERASE SELF-DIAGNOSIS RESULTS... 9	9	Removal and Installation	44
How to Perform Trouble Diagnoses for Quick and Accurate Repair	11	REMOVAL	44
INFORMATION FROM CUSTOMER	11	INSTALLATION	46
PRELIMINARY CHECK	11	FRONT PASSENGER AIR BAG MODULE	48
WORK FLOW	12	Rmoval and Installation	48
Schematic	13	REMOVAL	48
Wiring Diagram — SRS —	14	INSTALLATION	50
SRS Operation Check	18	SIDE CURTAIN AIR BAG MODULE	51
DIAGNOSTIC PROCEDURE 1	18	Removal and Installation	51
Trouble Diagnoses with CONSULT-II	19	REMOVAL	51
DIAGNOSTIC PROCEDURE 2	19	INSTALLATION	52
DIAGNOSTIC PROCEDURE 3	23	DISPOSAL OF AIR BAG MODULE AND SEAT BELT PRE-TENSIONER	53
DIAGNOSTIC PROCEDURE 4 (CONTINUED FROM DIAGNOSTIC PROCEDURE 2)	26	Disposal of Air Bag Module and Seat Belt Pretensioner	53
DIAGNOSTIC PROCEDURE 5	26	CHECKING DEPLOYMENT TOOL	53
Trouble Diagnoses without CONSULT-II	30	DEPLOYMENT PROCEDURES FOR AIR BAG MODULE (OUTSIDE OF VEHICLE)	54
DIAGNOSTIC PROCEDURE 6	30	DEPLOYMENT OF AIR BAG MODULE AND SEAT BELT PRE-TENSIONER WHILE	

MOUNTED IN VEHICLE	59	SION)	60
DISPOSING OF AIR BAG MODULE AND SEAT		For Side Collision	62
BELT PRE-TENSIONER	59	WHEN SRS IS ACTIVATED IN THE SIDE COL-	
COLLISION DIAGNOSIS	60	LISION	62
Collision Diagnosis	60	WHEN SRS IS NOT ACTIVATED IN THE SIDE	
SRS INSPECTION (FOR FRONTAL COLLI-		COLLISION	62
		SRS INSPECTION (FOR SIDE COLLISION)	62

PRECAUTIONS

PRECAUTIONS

PFP:00001

Precautions for Supplemental Restraint System (SRS) “AIR BAG” and “SEAT BELT PRE-TENSIONER”

EHS000LM

The Supplemental Restraint System such as “AIR BAG” and “SEAT BELT PRE-TENSIONER”, used along with a front seat belt, helps to reduce the risk or severity of injury to the driver and front passenger for certain types of collision. This system includes seat belt switch inputs and dual stage front air bag modules. The SRS system uses the seat belt switches to determine the front air bag deployment, and may only deploy one front air bag, depending on the severity of a collision and whether the front occupants are belted or unbelted. Information necessary to service the system safely is included in the SRS and SB section of this Service Manual.

WARNING:

- To avoid rendering the SRS inoperative, which could increase the risk of personal injury or death in the event of a collision which would result in air bag inflation, all maintenance must be performed by an authorized NISSAN/INFINITI dealer.
- Improper maintenance, including incorrect removal and installation of the SRS, can lead to personal injury caused by unintentional activation of the system. For removal of Spiral Cable and Air Bag Module, see the SRS section.
- Do not use electrical test equipment on any circuit related to the SRS unless instructed to in this Service Manual. SRS wiring harnesses can be identified by yellow and/or orange harnesses or harness connectors.

Precautions for SRS “Air Bag” and “Seat Belt Pre-tensioner” Service

EHS000IH

- Do not use a circuit tester to check SRS circuits unless instructed to in this Service Manual.
- Before servicing the SRS, turn ignition switch OFF, disconnect both battery cables and wait at least 3 minutes.
For approximately 3 minutes after the cables are removed, it is still possible for the air bags and seat belt pre-tensioners to deploy. Therefore, do not work on any SRS connectors or wires until at least 3 minutes have passed.
- Air bag diagnosis sensor unit must always be installed with forward mark “←” pointing toward the front of the vehicle for proper operation. Also check air bag diagnosis sensor unit for deformities, dents, cracks and rust before installation and replace as required.
- The spiral cable must be aligned in the neutral position since its rotations are limited. Do not rotate steering column while steering gear is removed to avoid damaging spiral cable.
- Handle air bag module carefully. Always place it with air bag lid surface facing upward.
- Conduct self-diagnosis to check entire SRS for proper function after replacing any components. Refer to [SRS-18, "SRS Operation Check"](#) .
- After air bag inflates, the instrument panel assembly should be replaced if damaged.

A
B
C
D
E
F
G
I
J
K
L
M

SRS

PRECAUTIONS

After A Collision

EHS000II

WARNING:

Inspect all seat belt assemblies including retractors, buckles and attaching hardware after any collision.

NISSAN recommends that all seat belt assemblies in use during a collision be replaced unless the collision was minor and the belts show no damage and continue to operate properly. Failure to do so could result in serious personal injury in an accident. Seat belt assemblies not in use during a collision should also be replaced if either damage or improper operation is noted. Seat belt assemblies which are equipped with pre-tensioners should be replaced even if the seat belts are not in use during a frontal collision in which the air bags are deployed.

Replace any seat belt assembly (including anchor bolts) if:

- The seat belt was in use at the time of a collision (except after minor collisions when the belts, retractors and buckles show no damage and continue to operate properly).
- The seat belt was damaged in an accident (i.e., torn webbing, bent retractor or guide, etc.).
- The seat belt attaching point was damaged in an accident. Inspect the seat belt attaching area for damage or distortion and repair as necessary before installing a new seat belt assembly.
- Anchor bolts are deformed or worn out.
- The seat belt assembly is equipped with a pre-tensioner, even if the seat belt is not in use during a collision in which the air bags are deployed.

Wiring Diagrams and Trouble Diagnosis

EHS000IJ

When you read wiring diagrams, refer to the following:

- Refer to [GI-13, "How to Read Wiring Diagrams"](#) .
- Refer to [PG-8, "POWER SUPPLY ROUTING"](#) for power distribution circuit.

When you perform trouble diagnosis, refer to the following:

- Refer to [GI-9, "HOW TO FOLLOW TEST GROUPS IN TROUBLE DIAGNOSES"](#) .
- Refer to [GI-25, "How to Perform Efficient Diagnosis for an Electrical Incident"](#) .

PREPARATION

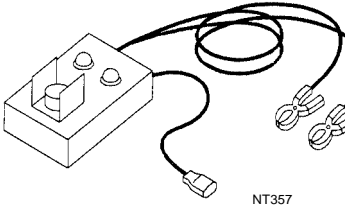
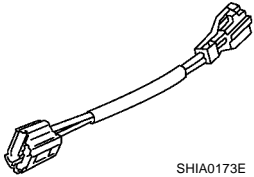
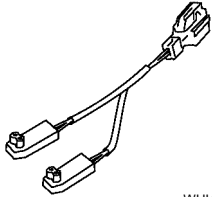
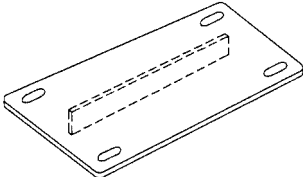
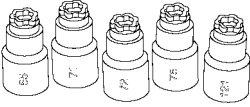
PREPARATION

PF0:00002

Special Service Tools

EHS000IK

The actual shapes of Kent-Moore tools may differ from those of special service tools illustrated here.

Tool number (Kent-Moore No.) Tool name	Description
KV991072S0 (J38381-KIT) Air bag deployment kit KV99106400 (J38381) Deployment tool	 Disposing of air bag module and seat belt pre-tensioner
— (J38381-65) Deployment tool adapter for front passenger air bag module	 Connection between the deployment tool and front passenger air bag module
— (J38381-80-A) Deployment tool adapter for driver air bag, seat belt pre-tensioner, and side curtain air bag module	 Connection between the deployment tool and driver air bag, seat belt pre-tensioner, and side curtain air bag module
KV99105300 (J41246) Air bag module bracket	 Anchoring air bag module
— (J42057) Air bag master key set	 Removing and installing accessory air bag locking bolts.

*: Special tool or commercial equivalent

A
B
C
D
E
F
G
SRS
I
J
K
L
M

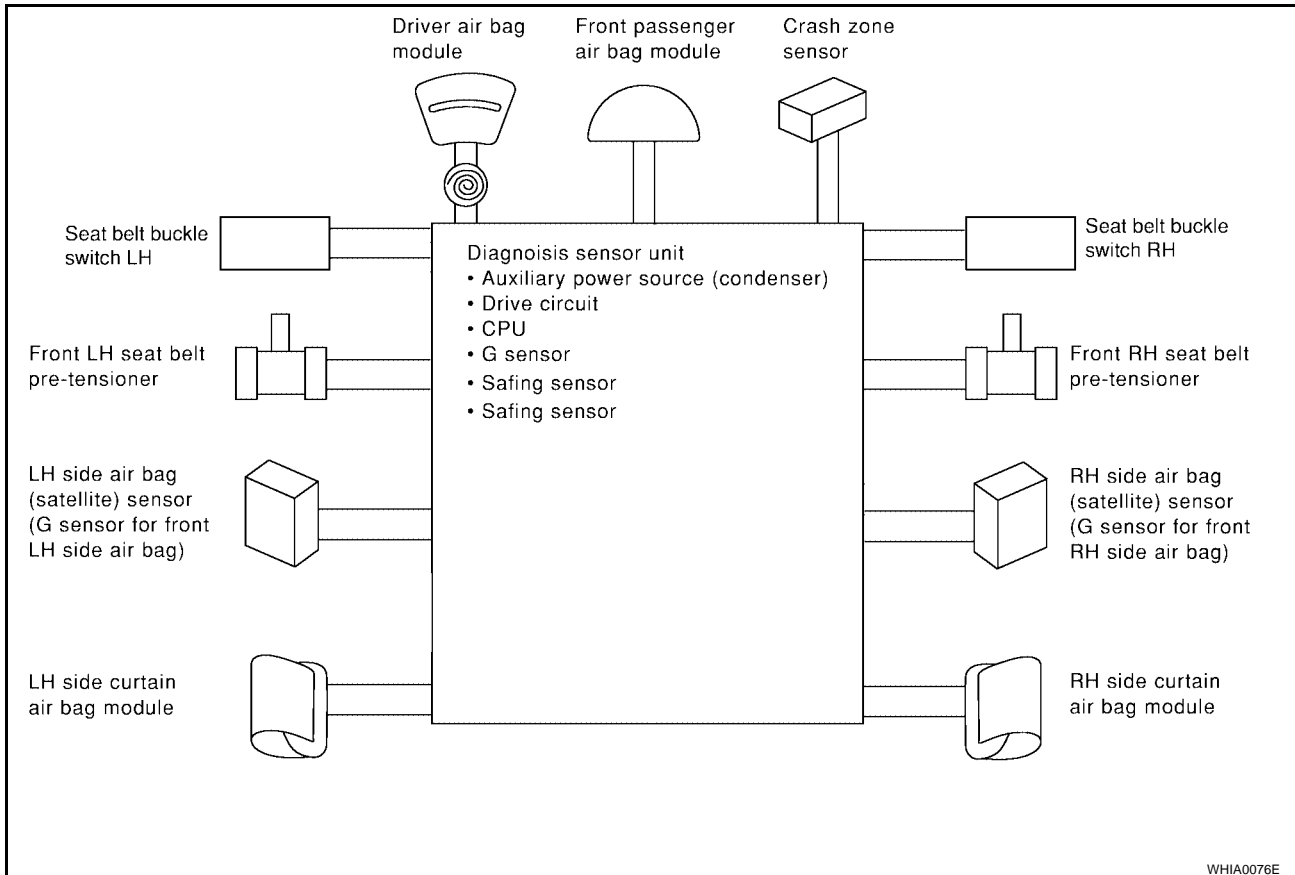
SRS CONFIGURATION

SRS CONFIGURATION

PFP:00000

Description

EHS0001L



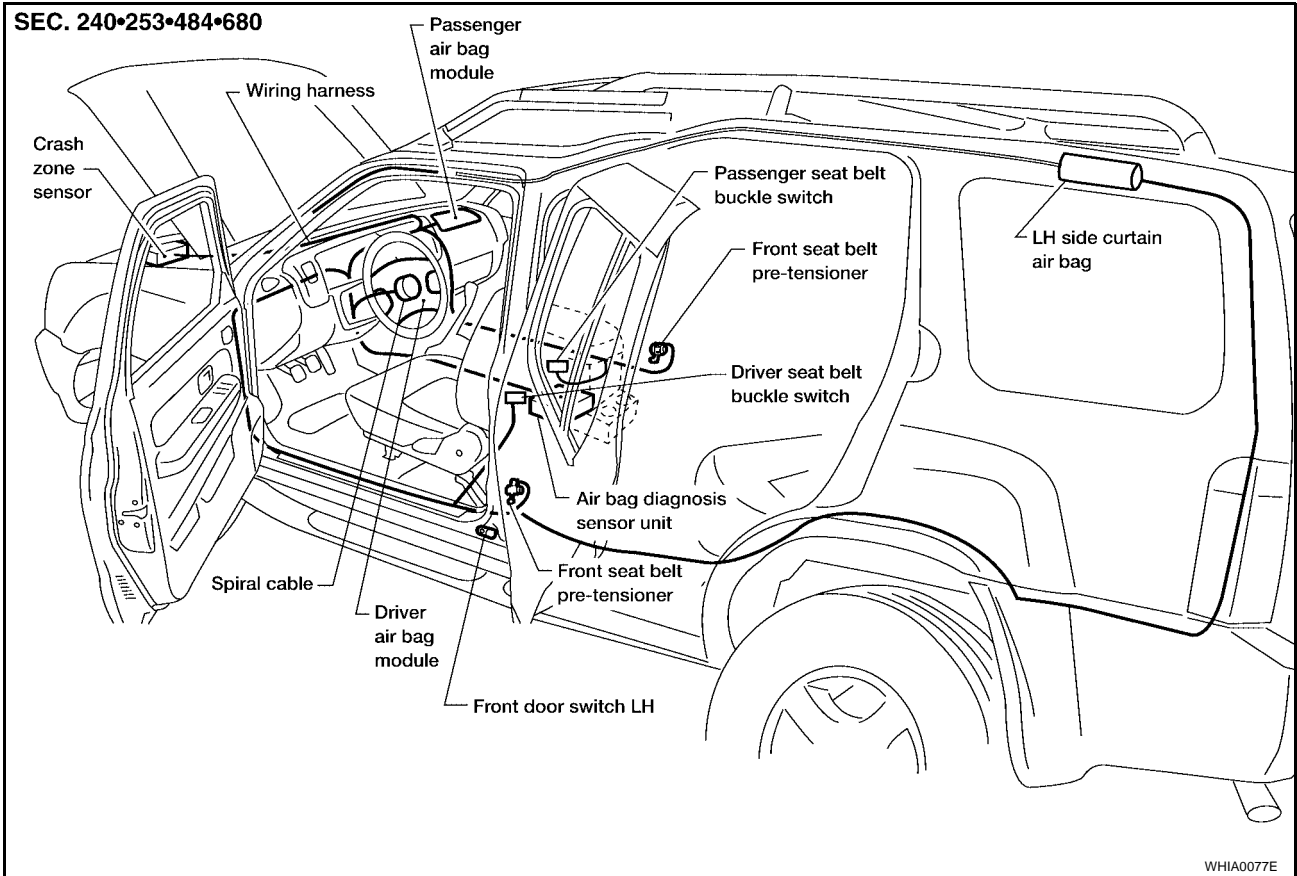
The air bags and seat belt pre-tensioners deploy if the air bag diagnosis sensor unit activates while the ignition switch is in the ON or START position.

The air bag diagnosis sensor unit will deploy the air bags and seat belt pre-tensioners if the G sensor activates simultaneously with the safing sensor while the ignition switch is ON.

SRS CONFIGURATION

SRS Component Parts Location

EHS0001M



A
B
C
D
E
F
G

SRS

I

Direct-connect SRS Component Connectors

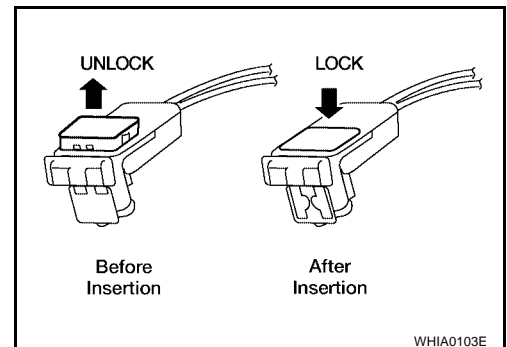
EHS000LN

The following SRS components use direct-connect style harness connectors.

- Driver air bag module
- LH side curtain air bag module
- RH side curtain air bag module
- Front LH seat belt pre-tensioner
- Front RH seat belt pre-tensioner

Always pull up to release black locking tab prior to removing connector from SRS component.

Always push down to lock black locking tab after installing connector to SRS component.



J
K
L
M

TROUBLE DIAGNOSIS

PFP:00004

TROUBLE DIAGNOSIS

Trouble Diagnoses Introduction

EHS0002M

CAUTION:

- Do not use electrical test equipment on any circuit related to the SRS unless instructed to in this Service Manual. SRS wiring harnesses can be identified by yellow harness connectors.
- Do not attempt to repair, splice or modify the SRS wiring harness. If the harness is damaged, replace it with a new one.
- Keep ground portion clean.

DIAGNOSIS FUNCTION

The SRS self-diagnosis results can be read by using “AIR BAG” warning lamp and/or CONSULT-II. The reading of these results is accomplished using one of two modes — “User mode” and “Diagnosis mode”.

The User mode is exclusively prepared for the customer (driver). This mode warns the driver of a system malfunction through the operation of the “AIR BAG” warning lamp.

The Diagnosis mode allows the technician to locate and inspect the malfunctioning part.

The mode applications for the “AIR BAG” warning lamp and CONSULT-II are as follows:

	User mode	Diagnosis mode	Display type
“AIR BAG” warning lamp	X	X	ON-OFF operation
CONSULT-II	—	X	Monitoring

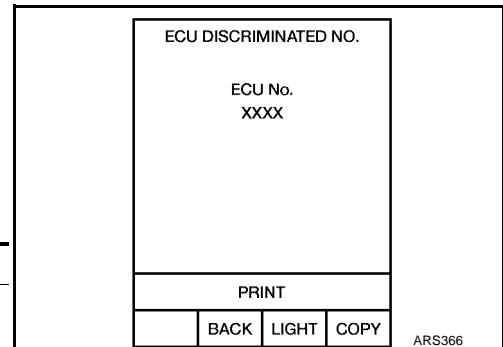
NOTE:

Seat belt pre-tensioner malfunction is indicated by “AIR BAG” warning lamp.

DIAGNOSIS MODE FOR CONSULT-II

- “SELF-DIAG [CURRENT]”
A current Self-diagnosis result (also indicated by the number of warning lamp flashes in the Diagnosis mode) is displayed on the CONSULT-II screen in real time. This refers to a malfunctioning part requiring repairs.
- “SELF-DIAG [PAST]”
Diagnosis results previously stored in the memory are displayed on the CONSULT-II screen. The stored results are not erased until memory erasing is executed.
- “TROUBLE DIAG RECORD”
With TROUBLE DIAG RECORD, diagnosis results previously erased by a reset operation can be displayed on the CONSULT-II screen.
- “ECU DISCRIMINATED NO.”
The diagnosis sensor unit for each vehicle model is assigned with its own, individual classification number. This number will be displayed on the CONSULT-II screen, as shown. When replacing the diagnosis sensor unit, refer to the part number for the compatibility. After installation, replacement with a correct unit can be checked by confirming this classification number on the CONSULT-II screen.

ECU Part No.	ECU Discriminated No.
28556 8Z800 (Without side curtain air bags)	F60E
98820 2Z700 (With side curtain air bags)	F610

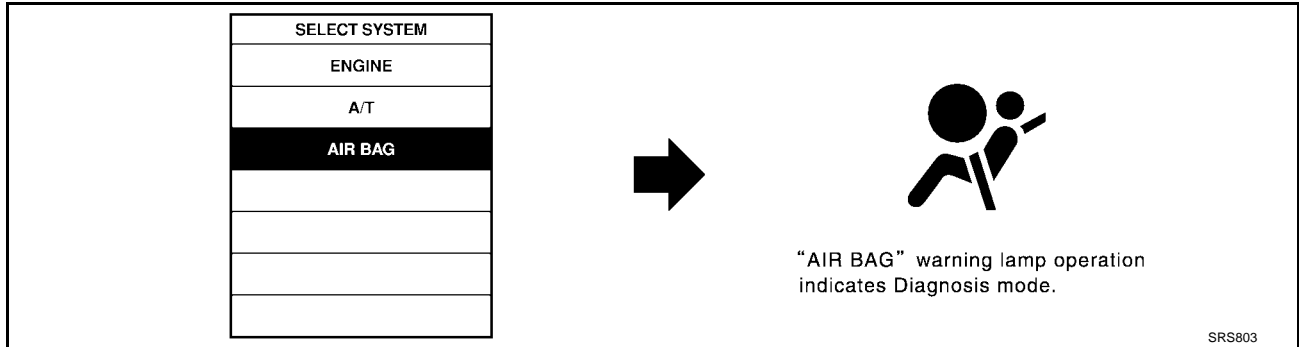


TROUBLE DIAGNOSIS

④ HOW TO CHANGE SELF-DIAGNOSIS MODE WITH CONSULT-II

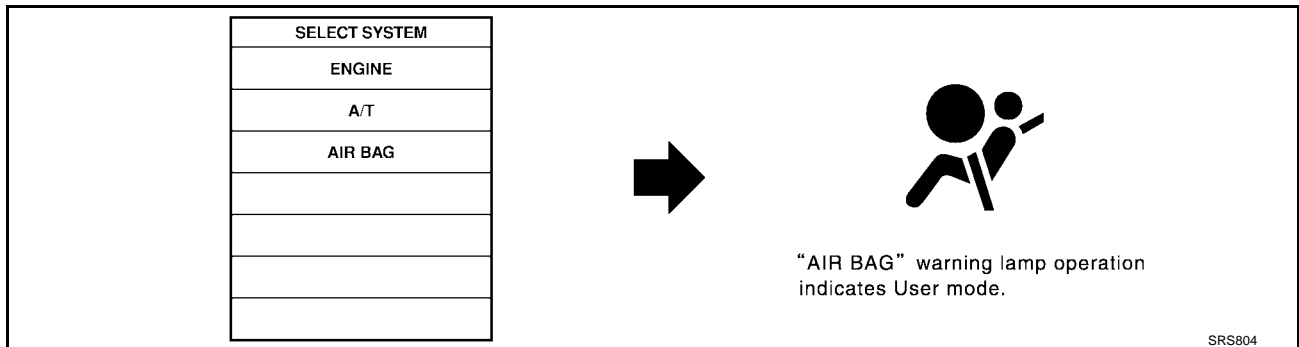
From User Mode to Diagnosis Mode

After selecting “AIR BAG” on the “SELECT SYSTEM” screen, User mode automatically changes to Diagnosis mode.



From Diagnosis Mode to User Mode

To return to User mode from Diagnosis mode, touch “BACK” key of CONSULT-II until “SELECT SYSTEM” appears, Diagnosis mode automatically changes to User mode.



⊗ HOW TO CHANGE SELF-DIAGNOSIS MODE WITHOUT CONSULT-II

From User Mode to Diagnosis Mode

Diagnosis mode activates only when a malfunction is detected, by turning ignition switch as follows:

1. Turn ignition switch “ON”.
2. After “AIR BAG” warning lamp lights for 7 seconds, turn ignition switch “OFF” within 1 second.
3. Wait more than 3 seconds.
4. Repeat steps 1 to 3 three times.
5. Turn ignition switch “ON”.

SRS will not enter Diagnosis mode, if no malfunction is detected.

From Diagnosis Mode to User Mode

After a malfunction is repaired, switch the ignition “OFF” for at least one second, then back “ON”. Diagnosis mode is returned to User mode.

If switching Diagnosis mode to User mode is required while malfunction is being detected, by turning ignition switch as follows:

1. Turn ignition switch “ON”.
2. After “AIR BAG” warning lamp lights for 7 seconds, turn ignition switch “OFF” within 1 second.
3. Wait more than 3 seconds.
4. Repeat steps 1 to 3 three times.
5. Turn ignition switch “ON”.

HOW TO ERASE SELF-DIAGNOSIS RESULTS

④ With CONSULT-II

- “SELF-DIAG [CURRENT]”
A current Self-diagnosis result is displayed on the CONSULT-II screen in real time.

TROUBLE DIAGNOSIS

After the malfunction is repaired completely, no malfunction is detected on “SELF-DIAG [CURRENT]”.

- “SELF-DIAG [PAST]”
Return to the “SELF-DIAG [CURRENT]” CONSULT-II screen by pushing “BACK” key of CONSULT-II and select “SELF-DIAG [CURRENT]” in SELECT DIAG MODE. Touch “ERASE” in “SELF-DIAG [CURRENT]” mode.

NOTE:

If the memory of the malfunction in “SELF-DIAG [PAST]” is not erased, the User mode shows the system malfunction by the operation of the warning lamp even if the malfunction is repaired completely.

- “TROUBLE DIAG RECORD”
The memory of “TROUBLE DIAG RECORD” cannot be erased.

SELF-DIAG [CURRENT]	
DTC RESULTS:	
NO DTC IS DETECTED. FURTHER TESTING MAY BE REQUIRED.	

SRS701

⊗ **Without CONSULT-II**

After a malfunction is repaired, switch the ignition “OFF” for at least one second, then back “ON”. Diagnosis mode returns to the User mode. At that time, the self-diagnostic result is cleared.

TROUBLE DIAGNOSIS

How to Perform Trouble Diagnoses for Quick and Accurate Repair

EHS0002N

A good understanding of the malfunction conditions can make troubleshooting faster and more accurate. In general, each customer feels differently about a malfunction. It is important to fully understand the symptoms or conditions for a customer complaint.

INFORMATION FROM CUSTOMER

WHAT..... Vehicle model

WHEN..... Date, Frequencies

WHERE..... Road conditions

HOW..... Operating conditions, Symptoms

PRELIMINARY CHECK

Check that the following parts are in good order.

- Battery, refer to [SC-4, "BATTERY"](#) .
- System component-to-harness connections.
- Check fuses.

A

B

C

D

E

F

G

SRS

I

J

K

L

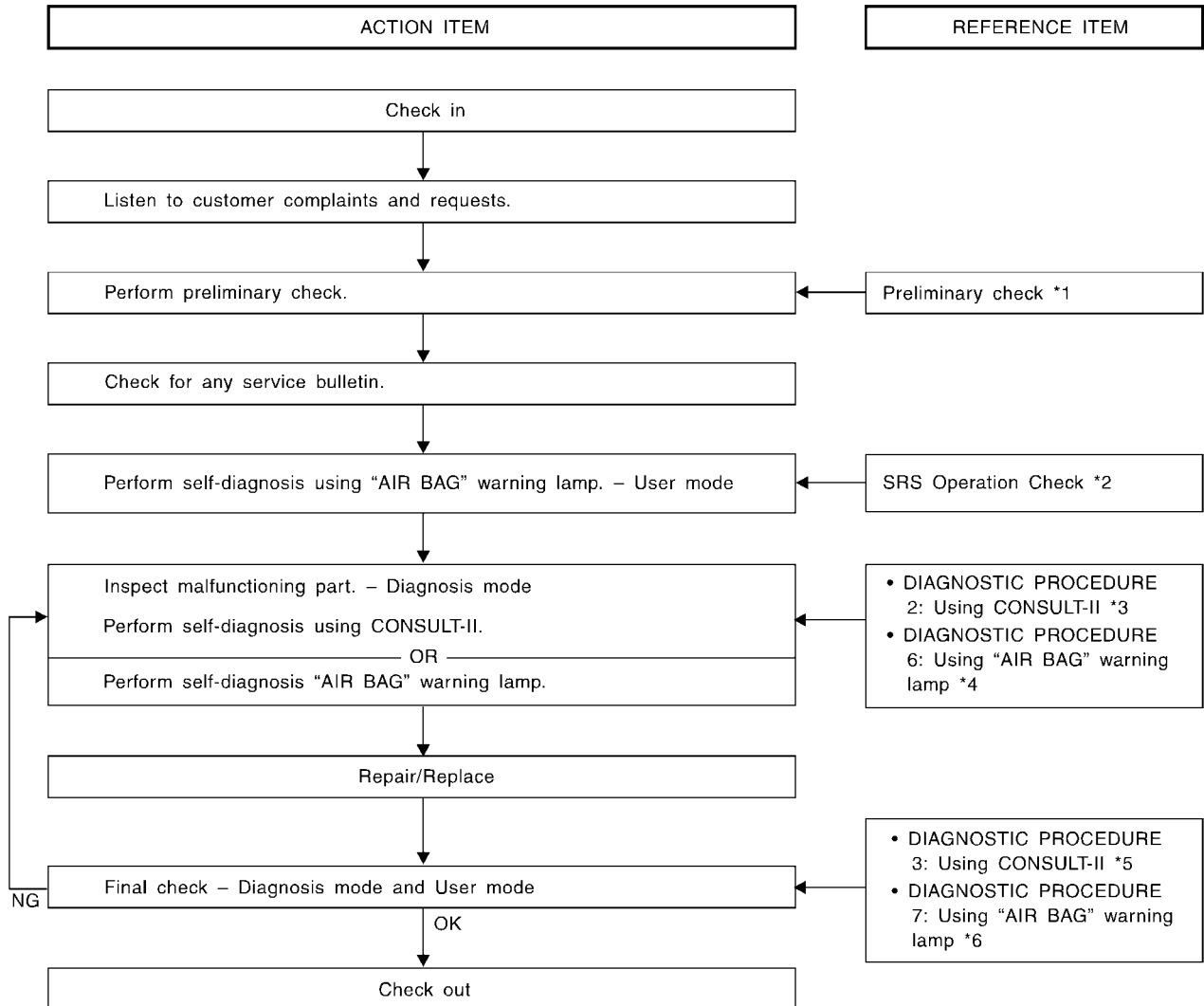
M

TROUBLE DIAGNOSIS

WORK FLOW

NOTE:

Seat belt pre-tensioner malfunction is indicated by "AIR BAG" warning lamp.



*1: [SRS-11](#)

*4: [SRS-30](#)

*2: [SRS-18](#)

*5: [SRS-23](#)

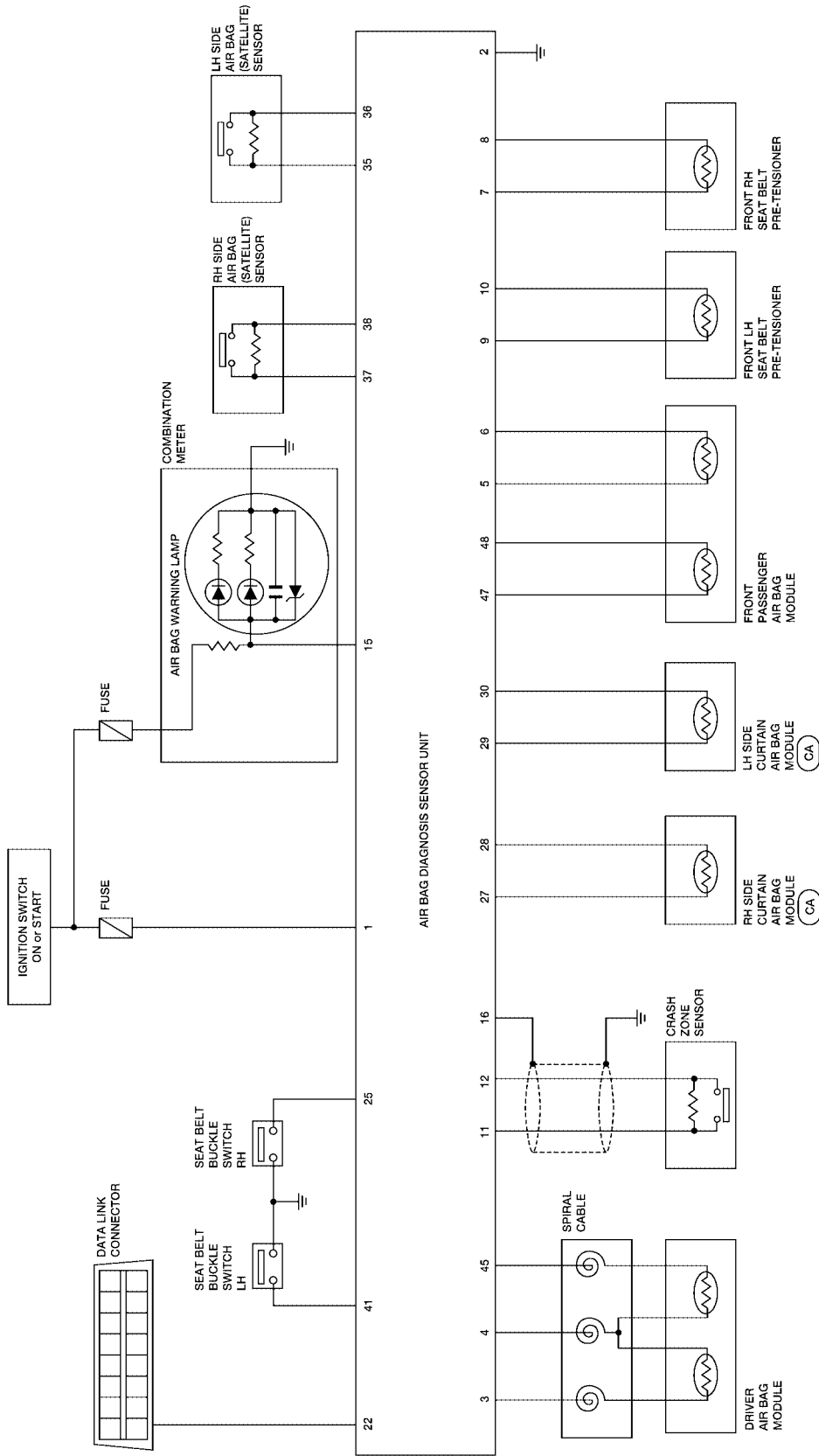
*3: [SRS-19](#)

*6: [SRS-35](#)

TROUBLE DIAGNOSIS

Schematic

EHS00020



CA : WITH SIDE CURTAIN AIRBAGS

A
B
C
D
E
F
G
I
J
K
L
M

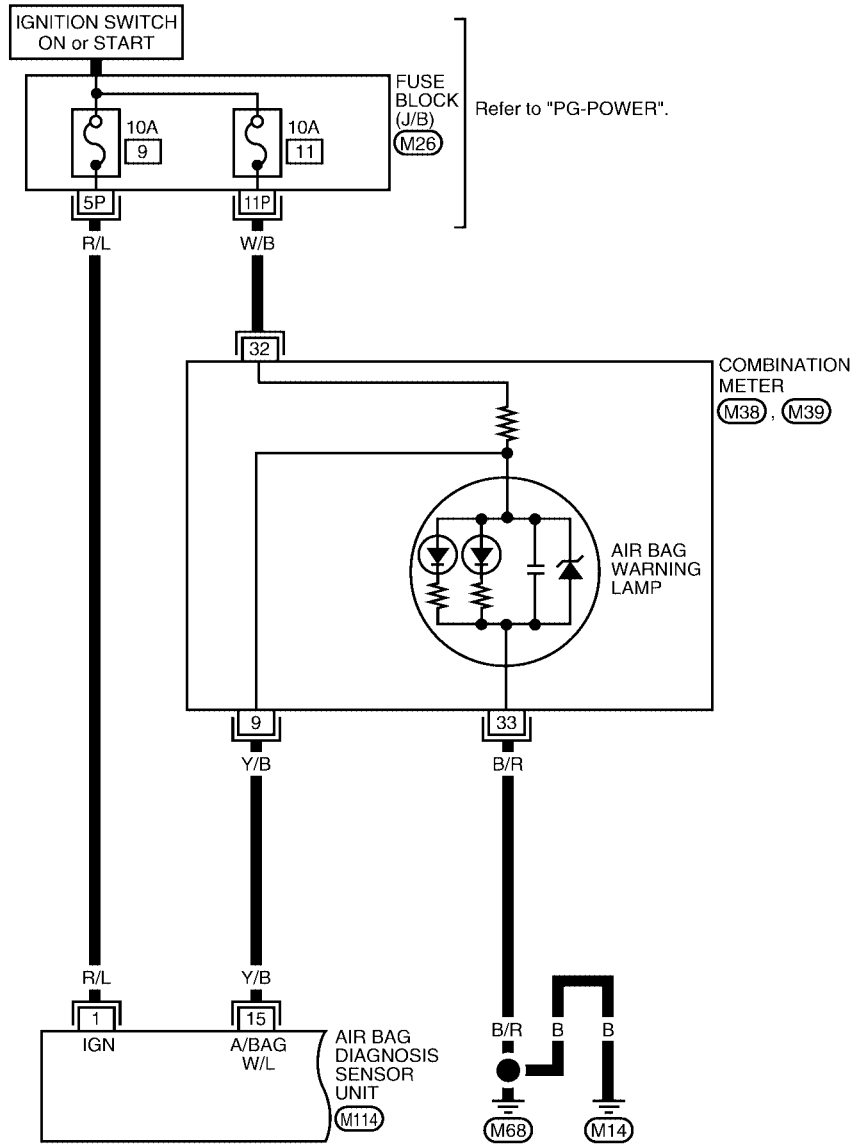
SRS

TROUBLE DIAGNOSIS

Wiring Diagram — SRS —

EHS0002P

SRS-SRS-01



1P	2P	3P	4P	5P	6P	7P	(M26)		
8P	9P	10P	11P	12P	13P	14P	15P	16P	W

1	2	3	4	5	6	7	8	9	10	11	(M38)		
12	13	14	15	16	17	18	19	20	21	22	23	24	W
25	26	27	28	29	30	31	32	33	34	35	(M39)		
36	37	38	39	40	41	42	43	44	45	46	47	48	BR

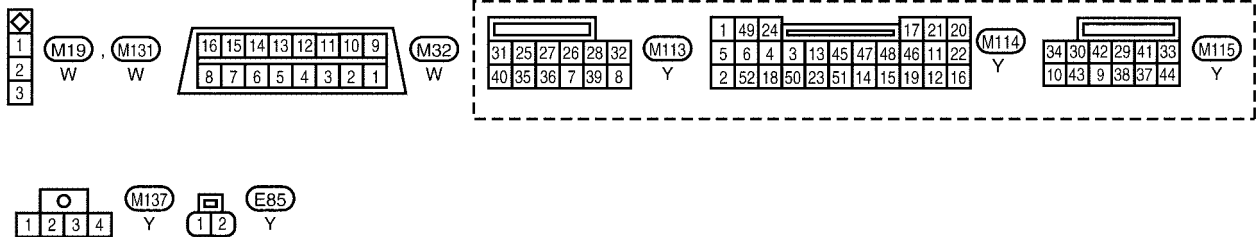
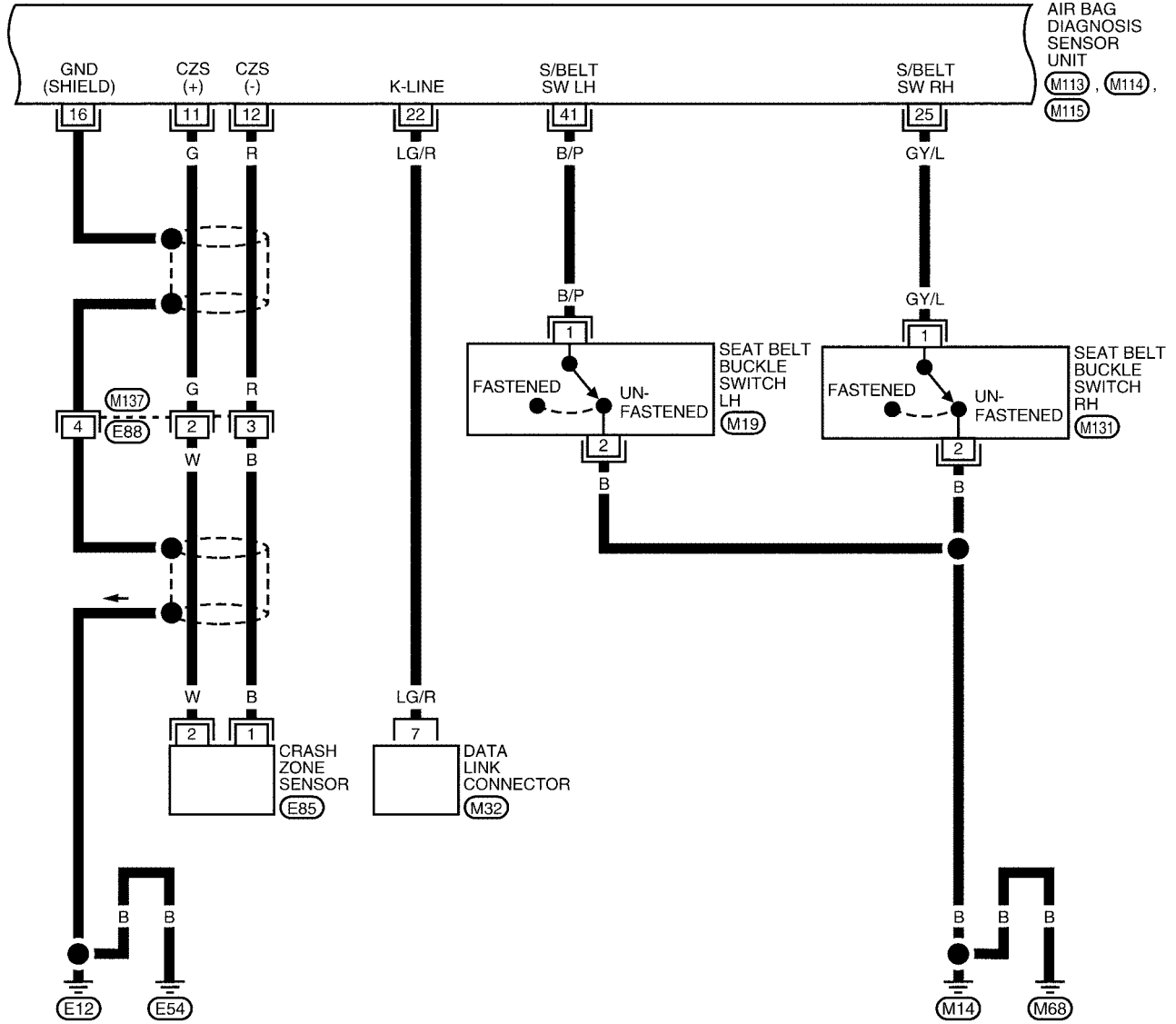
1	49	24	17	21	20	(M114)					
5	6	4	3	13	45	47	48	46	11	22	Y
2	52	18	50	23	51	14	15	19	12	16	

WHWA0029E

TROUBLE DIAGNOSIS

SRS-SRS-02

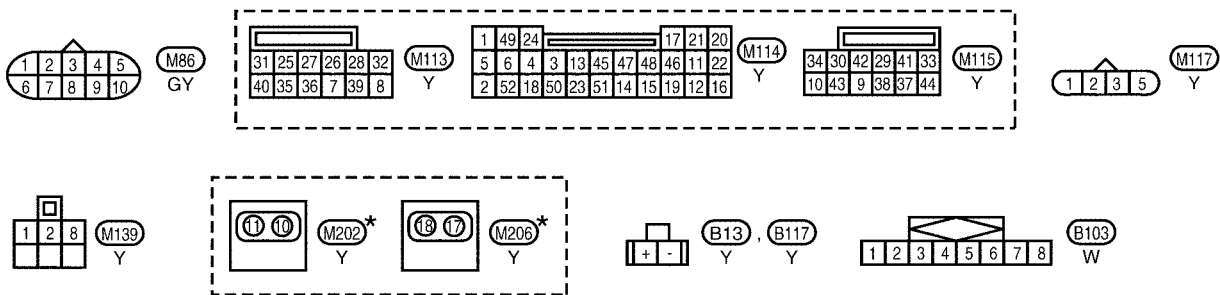
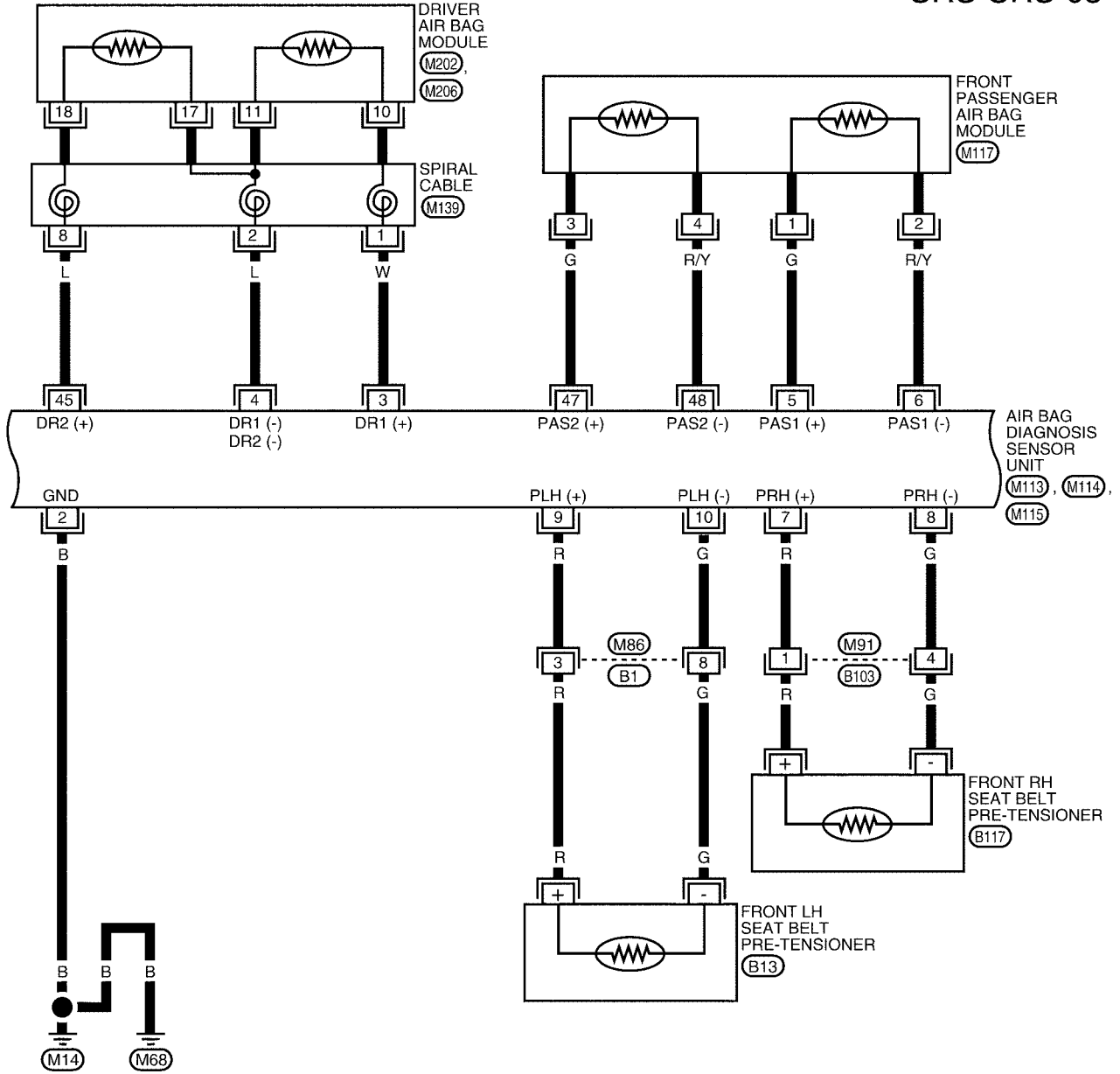
A
B
C
D
E
F
G
SRS
I
J
K
L
M



LHWA0003E

TROUBLE DIAGNOSIS

SRS-SRS-03

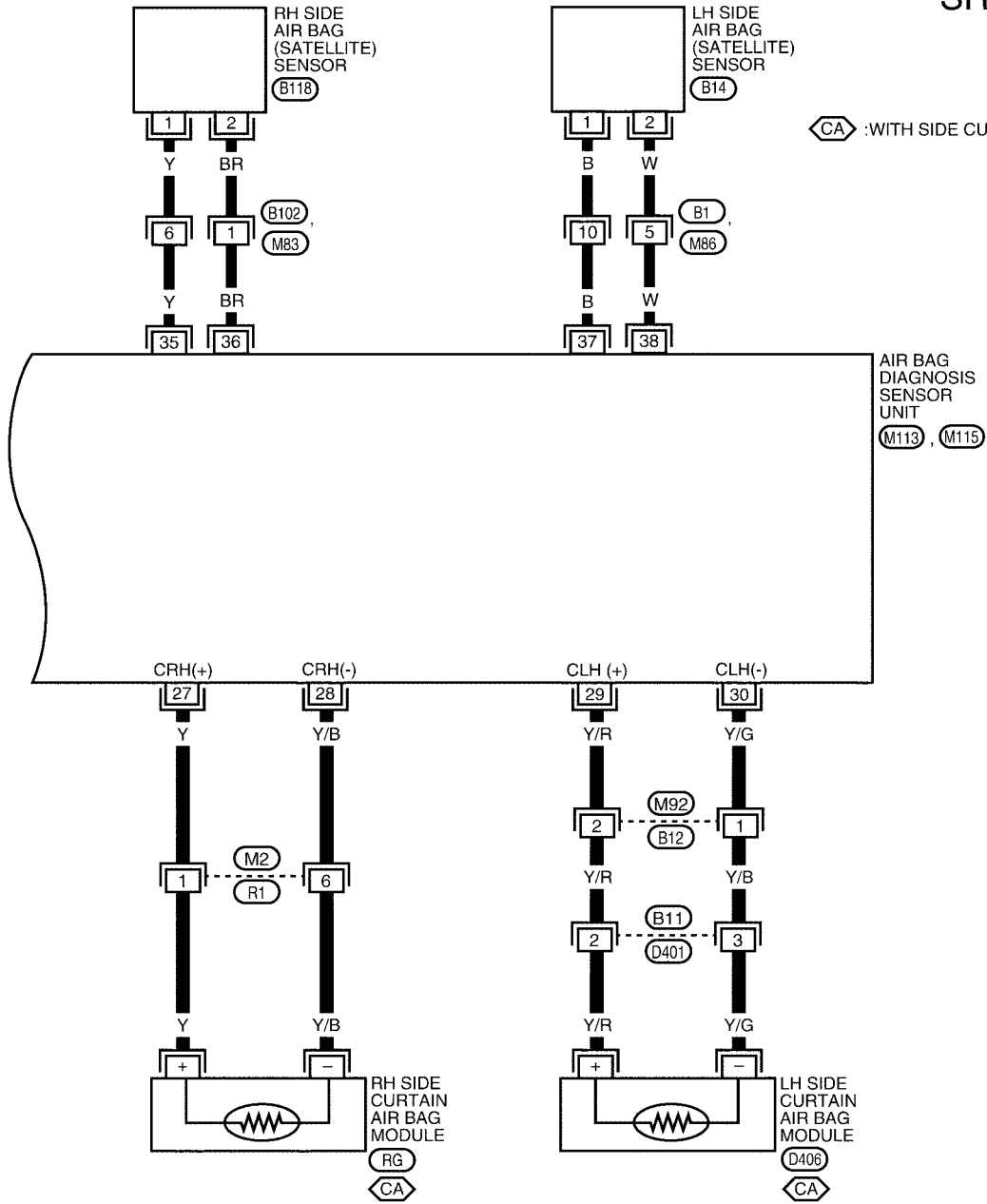


* : This connector is shown in "HARNESS LAYOUT" of PG section.

LHWA0004E

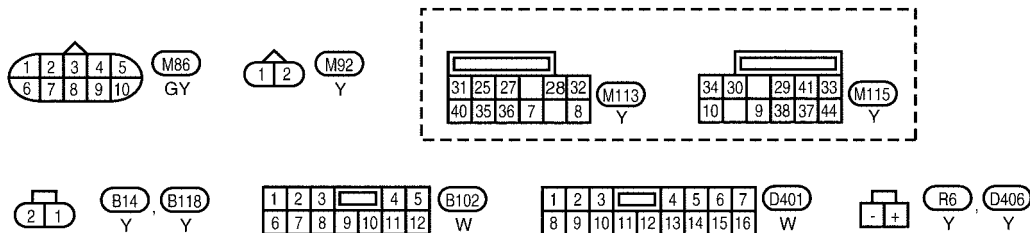
TROUBLE DIAGNOSIS

SRS-SRS-04



CA : WITH SIDE CURTAIN AIR BAGS

A
B
C
D
E
F
G
SRS
I
J
K
L
M



LHWA0005E

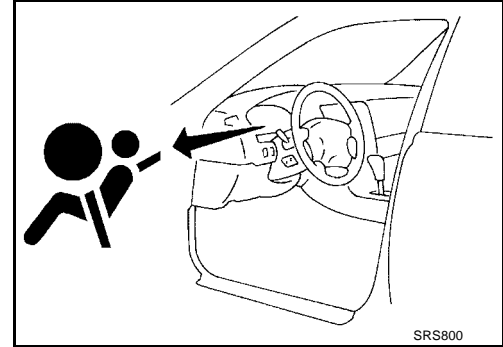
TROUBLE DIAGNOSIS

EHS0002Q

SRS Operation Check DIAGNOSTIC PROCEDURE 1

Checking Air Bag Operation by Using "AIR BAG" Warning Lamp — User Mode

1. After turning ignition switch from "OFF" to "ON", "AIR BAG" warning lamp operates.
2. Compare "AIR BAG" warning lamp operation to the chart below.



"AIR BAG" warning lamp operation — User mode —	SRS condition	Reference item
<p style="text-align: right;">MRS095A</p>	No malfunction is detected. No further action is necessary.	—
<p style="text-align: right;">MRS096A</p>	The system is malfunctioning and needs to be repaired as indicated.	Go to SRS-19. "DIAGNOSTIC PROCEDURE 2" or SRS-30. "DIAGNOSTIC PROCEDURE 6" .
<p style="text-align: right;">MRS097A</p>	Air bag is deployed. Seat belt pre-tensioner is deployed.	Go to SRS-60. "Collision Diagnosis" .
<p style="text-align: right;">MRS098A</p>	Air bag fuse, diagnosis sensor unit or harness is malfunctioning and needs to be repaired.	Go to SRS-38. "DIAGNOSTIC PROCEDURE 9" .
<p style="text-align: right;">MRS098A</p>	One of the following has occurred and needs to be repaired. <ul style="list-style-type: none"> ● Meter fuse is blown. ● "AIR BAG" warning lamp circuit has open or short. ● Diagnosis sensor unit is malfunctioning. 	Go to SRS-39. "DIAGNOSTIC PROCEDURE 10" .

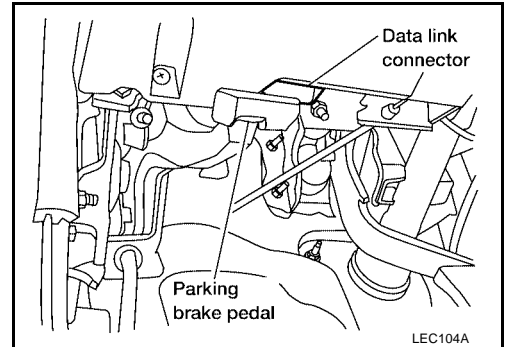
TROUBLE DIAGNOSIS

Ⓟ Trouble Diagnoses with CONSULT-II DIAGNOSTIC PROCEDURE 2

EHS000ZR

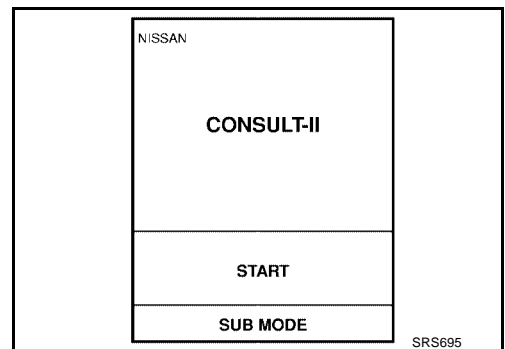
Inspecting SRS malfunctioning parts by using CONSULT-II — Diagnosis mode

1. Turn ignition switch "OFF".



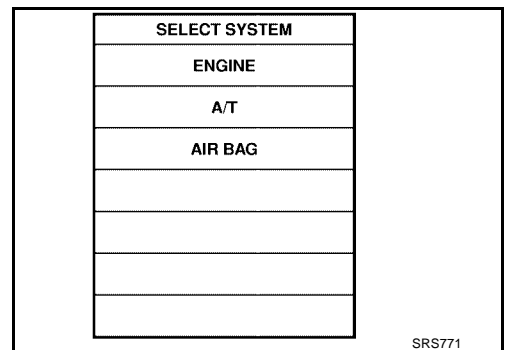
2. Connect "CONSULT-II" to data link connector.

3. Turn ignition switch "ON".

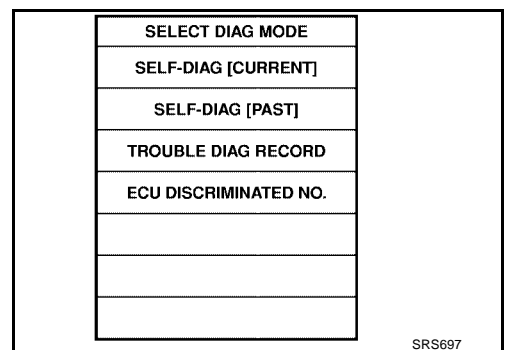


4. Touch "START".

5. Touch "AIR BAG".



6. Touch "SELF-DIAG [CURRENT]".

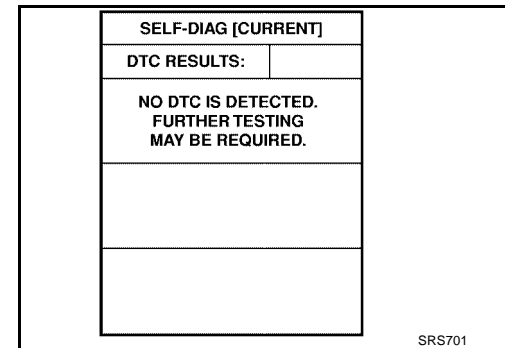
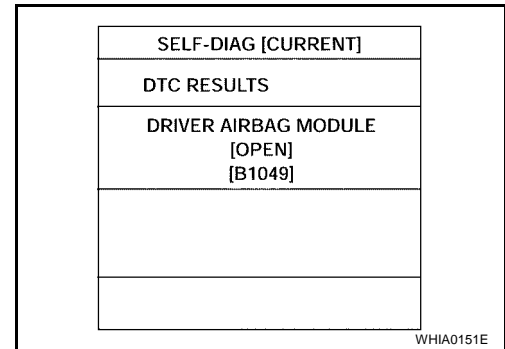


A
B
C
D
E
F
G
I
J
K
L
M

SRS

TROUBLE DIAGNOSIS

7. Diagnostic codes are displayed on “SELF-DIAG [CURRENT]”.



If no malfunction is detected on “SELF-DIAG [CURRENT]” even though malfunction is detected in “SRS Operation Check”, check the battery voltage.

If the battery voltage is less than 9V, charge the battery. Then go to [SRS-23, "DIAGNOSTIC PROCEDURE 3"](#).

If the battery voltage is OK, refer to [SRS-26, "DIAGNOSTIC PROCEDURE 4 \(CONTINUED FROM DIAGNOSTIC PROCEDURE 2\)"](#), to diagnose the following cases:

- Self-diagnostic result “SELF-DIAG [PAST]” (previously stored in the memory) might not be erased after repair.
 - The SRS system malfunctions intermittently.
8. Touch “COPY”.
 9. Compare diagnostic codes to “CONSULT-II Diagnostic Code Chart”. Refer to [SRS-20, "CONSULT-II Diagnostic Code Chart \("SELF-DIAG \[CURRENT\]\)"](#).
 10. Touch “BACK” key of CONSULT-II until “SELECT SYSTEM” appears in order to return to User mode from Diagnosis mode.
 11. Turn ignition switch “OFF”, then turn off and disconnect CONSULT-II, and disconnect both battery cables.
 12. Repair the system as outlined by the “Repair order” in “CONSULT-II Diagnostic Code Chart”, that corresponds to the self-diagnostic result. For replacement procedure of component parts, refer to [SRS-40, "Removal and Installation"](#).
 13. After repairing the system, refer to [SRS-23, "DIAGNOSTIC PROCEDURE 3"](#) for final checking.

CONSULT-II Diagnostic Code Chart (“SELF-DIAG [CURRENT]”)

Diagnostic item	Explanation	Repair order “Recheck SRS at each replacement.”
NO DTC IS DETECTED	When malfunction is indicated by the “AIR BAG” warning lamp in User mode	<ul style="list-style-type: none"> ● Go to SRS-23, "DIAGNOSTIC PROCEDURE 3" after charging battery. ● Go to SRS-26, "DIAGNOSTIC PROCEDURE 4 (CONTINUED FROM DIAGNOSTIC PROCEDURE 2)".
	<ul style="list-style-type: none"> ● Low battery voltage (Less than 9V) ● Self-diagnostic result “SELF-DIAG [PAST]” (previously stored in the memory) might not be erased after repair. ● Intermittent malfunction has been detected in the past. 	
	<ul style="list-style-type: none"> ● No malfunction is detected. 	<ul style="list-style-type: none"> ● Go to SRS-23, "DIAGNOSTIC PROCEDURE 3".

TROUBLE DIAGNOSIS

Diagnostic item	Explanation	Repair order “Recheck SRS at each replacement.”	
DRIVER AIRBAG MODULE [OPEN] [B1049] or [B1054]	● Driver air bag module circuit is open. (including the spiral cable)	<ol style="list-style-type: none"> 1. Visually check the wiring harness connection. 2. Replace the harness if it has visible damage. 3. Replace driver air bag module. (Before disposal, it must be deployed.) 4. Replace the spiral cable. 5. Replace the air bag diagnosis sensor unit. 6. Replace the related harness. 	A
DRIVER AIRBAG MODULE [VB-SHORT] [B1050] or [B1055]	● Driver air bag module circuit is shorted to a power supply circuit. (including the spiral cable)		B
DRIVER AIRBAG MODULE [GND-SHORT] [B1051] or [B1056]	● Driver air bag module circuit is shorted to ground. (including the spiral cable)		C
DRIVER AIRBAG MODULE [SHORT] [B1052] or [B1057]	● Driver air bag module circuit is shorted between lines.		D
ASSIST A/B MODULE [OPEN] [B1065] or [B1070]	● Passenger air bag module circuit is open.	<ol style="list-style-type: none"> 1. Visually check the wiring harness connection. 2. Replace the harness if it has visible damage. 3. Replace passenger air bag module. (Before disposal, it must be deployed.) 4. Replace the air bag diagnosis sensor unit. 5. Replace the related harness. 	E
ASSIST A/B MODULE [VB-SHORT] [B1066] or [B1071]	● Passenger air bag module circuit is shorted to a power supply circuit.		F
ASSIST A/B MODULE [GND-SHORT] [B1067] or [B1072]	● Passenger air bag module circuit is shorted to ground.		G
ASSIST A/B MODULE [SHORT] [B1068] or [B1073]	● Passenger air bag module circuit is shorted between lines.		I
PRE-TEN FRONT LH [OPEN] [B1086]	● Front LH seat belt pre-tensioner circuit is open.	<ol style="list-style-type: none"> 1. Visually check the wiring harness connections. 2. Replace the harness if it has visible damage. 3. Replace driver seat belt. (Before disposing, the front LH seat belt pre-tensioner must be activated.) 4. Replace the air bag diagnosis sensor unit. 5. Replace the related harness. 	J
PRE-TEN FRONT LH [VB-SHORT] [B1087]	● Front LH seat belt pre-tensioner circuit is shorted to a power supply circuit.		K
PRE-TEN FRONT LH [GND-SHORT] [B1088]	● Front LH seat belt pre-tensioner circuit is shorted to ground.		L
PRE-TEN FRONT LH [SHORT] [B1089]	● Front LH seat belt pre-tensioner circuit is shorted between lines.		M
PRE-TEN FRONT RH [OPEN] [B1081]	● Front RH seat belt pre-tensioner circuit is open.		<ol style="list-style-type: none"> 1. Visually check the wiring harness connections. 2. Replace the harness if it has visible damage. 3. Replace passenger seat belt. (Before disposing, the front RH seat belt pre-tensioner must be activated.) 4. Replace the air bag diagnosis sensor unit. 5. Replace the related harness.
PRE-TEN FRONT RH [VB-SHORT] [B1082]	● Front RH seat belt pre-tensioner circuit is shorted to a power supply circuit.		
PRE-TEN FRONT RH [GND-SHORT] [B1083]	● The circuit for front RH seat belt pre-tensioner is shorted to ground.		
PRE-TEN FRONT RH [SHORT] [B1084]	● Front RH seat belt pre-tensioner circuit is shorted between lines.		

SRS

TROUBLE DIAGNOSIS

Diagnostic item	Explanation	Repair order “Recheck SRS at each replacement.”
CRASH ZONE SEN [UNIT FAIL] [B1033] or [B1034] CRASH ZONE SEN [COMM FAIL] [B1035]	<ul style="list-style-type: none"> ● Crash zone sensor 	<ol style="list-style-type: none"> 1. Visually check the wiring harness connection. 2. Replace the harness if it has visible damage. 3. Replace the crash zone sensor. 4. Replace the diagnosis sensor unit. 5. Replace the related harness.
CURTAIN MODULE LH [OPEN] [B1150]	<ul style="list-style-type: none"> ● LH side curtain air bag module circuit is open. 	<ol style="list-style-type: none"> 1. Visually check the wiring harness connection. 2. Replace the harness if it has visible damage. 3. Replace LH side curtain air bag module. (Before disposal, it must be deployed.) 4. Replace the diagnosis sensor unit. 5. Replace the related harness.
CURTAIN MODULE LH [VB-SHORT] [B1151]	<ul style="list-style-type: none"> ● LH side curtain air bag module circuit is shorted to a power supply circuits. 	
CURTAIN MODULE LH [GND-SHORT] [B1152]	<ul style="list-style-type: none"> ● LH side curtain air bag module circuit is shorted to ground. 	
CURTAIN MODULE LH [SHORT] [B1153]	<ul style="list-style-type: none"> ● LH side curtain air bag module circuit is shorted between lines. 	
SATELLITE SENS RH [UNIT FAIL] [B1113] or [B1114] SATELLITE SENS RH [COMM FAIL] [B1115]	<ul style="list-style-type: none"> ● RH side air bag (satellite) sensor. 	<ol style="list-style-type: none"> 1. Visually check the wiring harness connection. 2. Replace the harness if it has visible damage. 3. Replace the RH side air bag (satellite) sensor. 4. Replace the diagnosis sensor unit. 5. Replace the related harness.
SATELLITE SENS LH [UNIT FAIL] [B1118] or [B1119] SATELLITE SENS LH [COMM FAIL] [B1120]	<ul style="list-style-type: none"> ● LH side air bag (satellite) sensor. 	<ol style="list-style-type: none"> 1. Visually check the wiring harness connection. 2. Replace the harness if it has visible damage. 3. Replace the LH side air bag (satellite) sensor. 4. Replace the diagnosis sensor unit. 5. Replace the related harness.

TROUBLE DIAGNOSIS

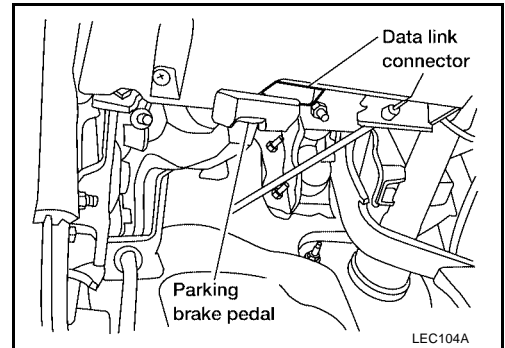
Diagnostic item	Explanation	Repair order “Recheck SRS at each replacement.”
CURTAIN MODULE RH [OPEN] [B1145]	● RH side curtain air bag module circuit is open.	1. Visually check the wiring harness connection. 2. Replace the harness if it has visible damage. 3. Replace RH side curtain air bag module. (Before disposal, it must be deployed.) 4. Replace the diagnosis sensor unit. 5. Replace the related harness.
CURTAIN MODULE RH [VB-SHORT] [B1146]	● RH side curtain air bag module circuit is shorted to a power supply circuit.	
CURTAIN MODULE RH [GND-SHORT] [B1147]	● RH side curtain air bag module circuit is shorted to ground.	
CURTAIN MODULE RH [SHORT] [B1148]	● RH side curtain air bag module circuit is shorted between lines.	
CONTROL UNIT [B1XXX]	● Air bag diagnosis sensor unit is malfunctioning.	1. Visually check the wiring harness connection. 2. Replace the air bag diagnosis sensor unit.

* Follow the procedures in numerical order when repairing malfunctioning parts. Confirm whether malfunction is eliminated using the air bag warning lamp or CONSULT-II each time repair is finished. If malfunction is still observed, proceed to the next step. When malfunction is eliminated, further repair work is not required.

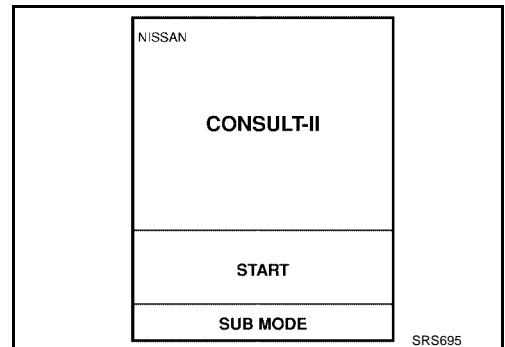
DIAGNOSTIC PROCEDURE 3

Final checking after repairing SRS by using CONSULT-II — Diagnosis mode

1. After repairing SRS, connect both battery cables.
2. Connect CONSULT-II to data link connector.
3. Turn ignition switch from “OFF” to “ON”.

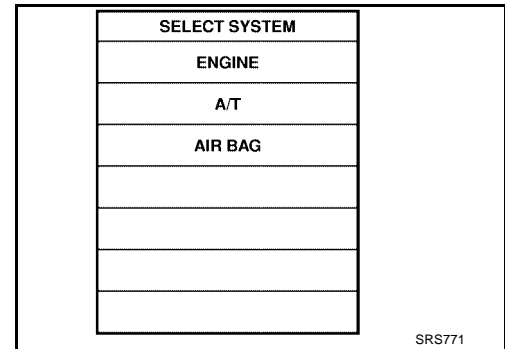


4. Touch “START”.

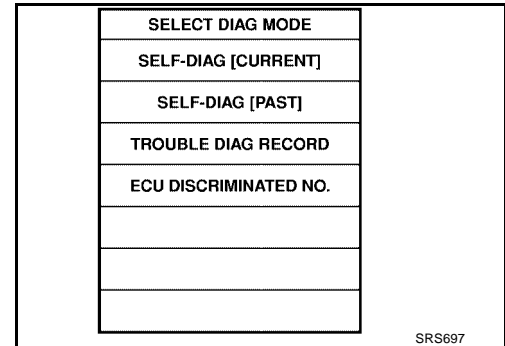


TROUBLE DIAGNOSIS

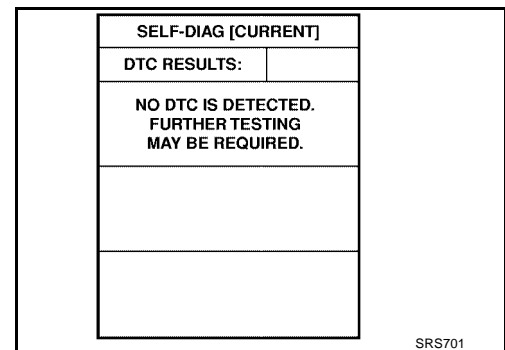
5. Touch "AIR BAG".



6. Touch "SELF-DIAG [CURRENT]".



7. If no malfunction is detected on "SELF-DIAG [CURRENT]", repair of SRS is completed. Go to step 8.
 If any malfunction is displayed on "SELF-DIAG [CURRENT]", the malfunctioning part is not repaired completely or another malfunctioning part is detected. Go to [SRS-19, "DIAGNOSTIC PROCEDURE 2"](#), and repair malfunctioning part completely.

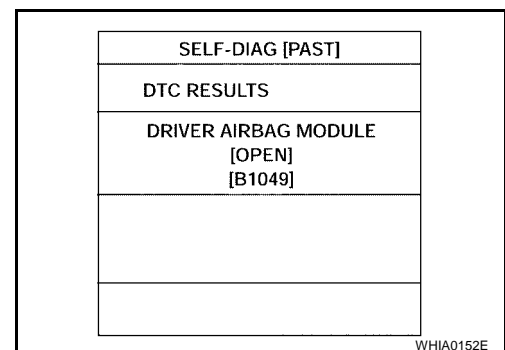


8. Touch "ERASE".

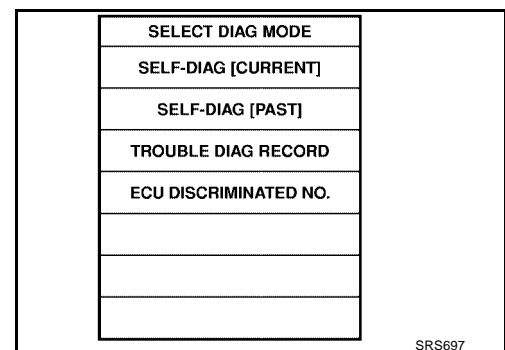
NOTE:

Touch "ERASE" to clear the memory of the malfunction ("SELF-DIAG [PAST]").

If the memory of the malfunction in "SELF-DIAG [PAST]" is not erased, the User mode shows the system malfunction by the operation of the warning lamp even if the malfunction is repaired completely.



9. Touch "BACK" key of CONSULT-II to "SELECT SYSTEM" screen. Touch "SELF-DIAG [PAST]".



TROUBLE DIAGNOSIS

10. Check that no malfunction is detected on "SELF-DIAG [PAST]".
11. Touch "BACK" key of CONSULT-II until "SELECT SYSTEM" appears in order to return to User mode from Diagnosis mode.
12. Turn ignition switch "OFF", then turn off and disconnect CONSULT-II.
13. Go to [SRS-18, "SRS Operation Check"](#) to check SRS operation by using "AIR BAG" warning lamp with User mode.

SELF-DIAG [PAST]	
DTC RESULTS:	
NO DTC IS DETECTED. FURTHER TESTING MAY BE REQUIRED.	

SRS702

A

B

C

D

E

F

G

SRS

I

J

K

L

M

TROUBLE DIAGNOSIS

DIAGNOSTIC PROCEDURE 4 (CONTINUED FROM DIAGNOSTIC PROCEDURE 2)

Inspecting SRS malfunctioning record

1. CONSIDER POSSIBILITY OF NOT ERASING SELF-DIAGNOSTIC RESULT AFTER REPAIRING

Is it the first time for maintenance of SRS?

Yes or No

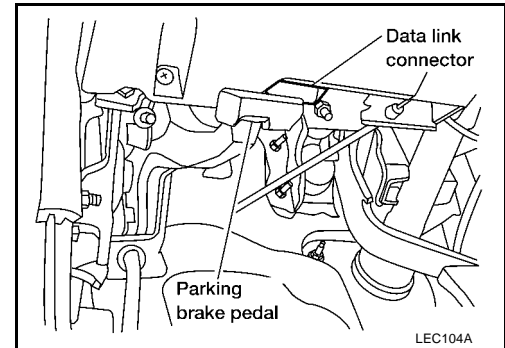
Yes >> Go to [SRS-26, "DIAGNOSTIC PROCEDURE 5"](#) .

No >> Self-diagnostic result "SELF-DIAG [PAST]" (previously stored in the memory) might not be erased after repair. Go to [SRS-23, "DIAGNOSTIC PROCEDURE 3"](#) .

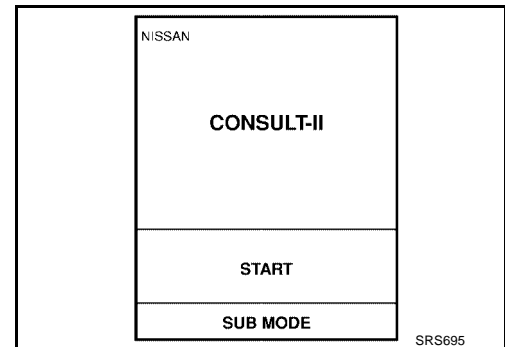
DIAGNOSTIC PROCEDURE 5

Inspecting SRS intermittent malfunction by using CONSULT-II — Diagnosis mode

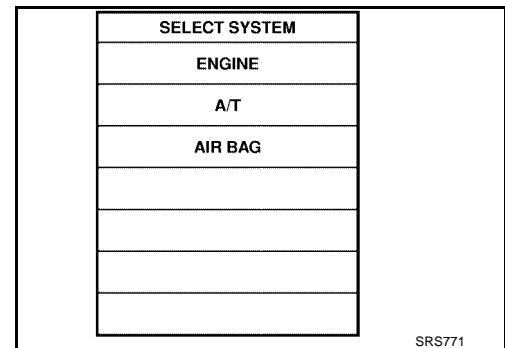
1. Turn ignition switch "OFF".
2. Connect "CONSULT-II" to data link connector.



3. Turn ignition switch "ON".
4. Touch "START".



5. Touch "AIR BAG".



TROUBLE DIAGNOSIS

6. Touch "SELF-DIAG [PAST]".

SELECT DIAG MODE
SELF-DIAG [CURRENT]
SELF-DIAG [PAST]
TROUBLE DIAG RECORD
ECU DISCRIMINATED NO.

SRS697

A
B
C
D
E
F
G

7. If diagnostic codes are displayed on "SELF-DIAG [PAST]", go to step 10.

SELF-DIAG [PAST]
DTC RESULTS
DRIVER AIRBAG MODULE [OPEN] [B1049]

WHIA0152E

SELF-DIAG [PAST]
DTC RESULTS:
NO DTC IS DETECTED. FURTHER TESTING MAY BE REQUIRED.

SRS702

SRS

I
J
K

If no malfunction is detected on "SELF-DIAG [PAST]", touch "BACK" and go back to "SELECT DIAG MODE".

8. Touch "TROUBLE DIAG RECORD".

NOTE:
With "TROUBLE DIAG RECORD", diagnosis results previously erased by a reset operation can be displayed.

SELECT DIAG MODE
SELF-DIAG [CURRENT]
SELF-DIAG [PAST]
TROUBLE DIAG RECORD
ECU DISCRIMINATED NO.

SRS697

L
M

TROUBLE DIAGNOSIS

9. Diagnostic code is displayed on “TROUBLE DIAG RECORD”.
10. Touch “COPY”.
11. Compare diagnostic codes to “Intermittent Malfunction Diagnostic Code Chart”. Refer to [SRS-28, "Intermittent Malfunction Diagnostic Code Chart \(“SELF-DIAG \[PAST\]” or “TROUBLE DIAG RECORD”\)](#) .
12. Touch “BACK” key of CONSULT-II until “SELECT SYSTEM” appears.
13. Turn ignition switch “OFF”, then turn off and disconnect CONSULT-II, and disconnect both battery cables.
14. Repair the system as outlined by the “Repair order” in “Intermittent Malfunction Diagnostic Code Chart”, that corresponds to the self-diagnostic result. For replacement procedure of component parts, refer to [SRS-40, "Removal and Installation"](#) .
15. Go to [SRS-23, "DIAGNOSTIC PROCEDURE 3"](#) , for final checking.

TROUBLE DIAG RECORD
DTC RESULTS
DRIVER AIRBAG MODULE [OPEN] [B1049]

WHIA0153E

Intermittent Malfunction Diagnostic Code Chart (“SELF-DIAG [PAST]” or “TROUBLE DIAG RECORD”)

Diagnostic item	Explanation	Repair order “Recheck SRS at each replacement.”
NO DTC IS DETECTED	When malfunction is indicated by the “AIR BAG” warning lamp in User mode	<ul style="list-style-type: none"> ● Go to SRS-23, "DIAGNOSTIC PROCEDURE 3" after charging battery. ● Go to SRS-23, "DIAGNOSTIC PROCEDURE 3" .
	<ul style="list-style-type: none"> ● Low battery voltage (Less than 9V) ● No malfunction is detected. 	
DRIVER AIRBAG MODULE [OPEN] [B1049] or [B1054]	<ul style="list-style-type: none"> ● Driver air bag module circuit is open. (including the spiral cable) 	<ol style="list-style-type: none"> 1. Visually check the wiring harness connection. 2. Replace the harness if it has visible damage. 3. Replace driver air bag module. (Before disposal, it must be deployed.) 4. Replace the spiral cable. 5. Replace the air bag diagnosis sensor unit. 6. Replace the related harness.
DRIVER AIRBAG MODULE [VB-SHORT] [B1050] or [B1055]	<ul style="list-style-type: none"> ● Driver air bag module circuit is shorted to a power supply circuit. (including the spiral cable) 	
DRIVER AIRBAG MODULE [GND-SHORT] [B1051] or [B1056]	<ul style="list-style-type: none"> ● Driver air bag module circuit is shorted to ground. (including the spiral cable) 	
DRIVER AIRBAG MODULE [SHORT] [B1052] or [B1057]	<ul style="list-style-type: none"> ● Driver air bag module circuit is shorted between lines. 	
ASSIST A/B MODULE [OPEN] [B1065] or [B1070]	<ul style="list-style-type: none"> ● Passenger air bag module circuit is open. 	<ol style="list-style-type: none"> 1. Visually check the wiring harness connection. 2. Replace the harness if it has visible damage. 3. Replace passenger air bag module. (Before disposal, it must be deployed.) 4. Replace the air bag diagnosis sensor unit. 5. Replace the related harness.
ASSIST A/B MODULE [VB-SHORT] [B1066] or [B1071]	<ul style="list-style-type: none"> ● Passenger air bag module circuit is shorted to a power supply circuit. 	
ASSIST A/B MODULE [GND-SHORT] [B1067] or [B1072]	<ul style="list-style-type: none"> ● Passenger air bag module circuit is shorted to ground. 	
ASSIST A/B MODULE [SHORT] [B1068] or [B1073]	<ul style="list-style-type: none"> ● Passenger air bag module circuit is shorted between lines. 	

TROUBLE DIAGNOSIS

Diagnostic item	Explanation	Repair order “Recheck SRS at each replacement.”
PRE-TEN FRONT LH [OPEN] [B1086]	● Front LH seat belt pre-tensioner circuit is open.	1. Visually check the wiring harness connections. 2. Replace the harness if it has visible damage. 3. Replace driver seat belt. (Before disposing, the front LH seat belt pre-tensioner must be activated.) 4. Replace the air bag diagnosis sensor unit. 5. Replace the related harness.
PRE-TEN FRONT LH [VB-SHORT] [B1087]	● Front LH seat belt pre-tensioner circuit is shorted to a power supply circuit.	
PRE-TEN FRONT LH [GND-SHORT] [B1088]	● Front LH seat belt pre-tensioner circuit is shorted to ground.	
PRE-TEN FRONT LH [SHORT] [B1089]	● Front LH seat belt pre-tensioner circuit is shorted between lines.	
PRE-TEN FRONT RH [OPEN] [B1081]	● Front RH seat belt pre-tensioner circuit is open.	1. Visually check the wiring harness connections. 2. Replace the harness if it has visible damage. 3. Replace passenger seat belt. (Before disposing, the front RH seat belt pre-tensioner must be activated.) 4. Replace the air bag diagnosis sensor unit. 5. Replace the related harness.
PRE-TEN FRONT RH [VB-SHORT] [B1082]	● Front RH seat belt pre-tensioner circuit is shorted to a power supply circuit.	
PRE-TEN FRONT RH [GND-SHORT] [B1083]	● The circuit for front RH seat belt pre-tensioner is shorted to ground.	
PRE-TEN FRONT RH [SHORT] [B1084]	● Front RH seat belt pre-tensioner circuit is shorted between lines.	
CRASH ZONE SEN [UNIT FAIL] [B1033] or [B1034] CRASH ZONE SEN [COMM FAIL] [B1035]	● Crash zone sensor	1. Visually check the wiring harness connection. 2. Replace the harness if it has visible damage. 3. Replace the crash zone sensor. 4. Replace the diagnosis sensor unit. 5. Replace the related harness.
CURTAIN MODULE LH [OPEN] [B1150]	● LH side curtain air bag module circuit is open.	
CURTAIN MODULE LH [VB-SHORT] [B1151]	● LH side curtain air bag module circuit is shorted to a power supply circuits.	
CURTAIN MODULE LH [GND-SHORT] [B1152]	● LH side curtain air bag module circuit is shorted to ground.	
CURTAIN MODULE LH [SHORT] [B1153]	● LH side curtain air bag module circuit is shorted between lines.	4. Replace the diagnosis sensor unit. 5. Replace the related harness.
SATELLITE SENS RH [UNIT FAIL] [B1113] or [B1114] SATELLITE SENS RH [COMM FAIL] [B1115]	● RH side air bag (satellite) sensor.	

A

B

C

D

E

F

G

SRS

I

J

K

L

M

TROUBLE DIAGNOSIS

Diagnostic item	Explanation	Repair order "Recheck SRS at each replacement."
SATELLITE SENS LH [UNIT FAIL] [B1118] or [B1119] SATELLITE SENS LH [COMM FAIL] [B1120]	<ul style="list-style-type: none"> LH side air bag (satellite) sensor. 	<ol style="list-style-type: none"> 1. Visually check the wiring harness connection. 2. Replace the harness if it has visible damage. 3. Replace the LH side air bag (satellite) sensor. 4. Replace the diagnosis sensor unit. 5. Replace the related harness.
CURTAIN MODULE RH [OPEN] [B1145]	<ul style="list-style-type: none"> RH side curtain air bag module circuit is open. 	<ol style="list-style-type: none"> 1. Visually check the wiring harness connection. 2. Replace the harness if it has visible damage.
CURTAIN MODULE RH [VB-SHORT] [B1146]	<ul style="list-style-type: none"> RH side curtain air bag module circuit is shorted to a power supply circuit. 	<ol style="list-style-type: none"> 3. Replace RH side curtain air bag module. (Before disposal, it must be deployed.)
CURTAIN MODULE RH [GND-SHORT] [B1147]	<ul style="list-style-type: none"> RH side curtain air bag module circuit is shorted to ground. 	<ol style="list-style-type: none"> 4. Replace the diagnosis sensor unit. 5. Replace the related harness.
CURTAIN MODULE RH [SHORT] [B1148]	<ul style="list-style-type: none"> RH side curtain air bag module circuit is shorted between lines. 	
CONTROL UNIT [B1XXX]	<ul style="list-style-type: none"> Air bag diagnosis sensor unit is malfunctioning. 	<ol style="list-style-type: none"> 1. Visually check the wiring harness connection. 2. Replace the air bag diagnosis sensor unit.

* Follow the procedures in numerical order when repairing malfunctioning parts. Confirm whether malfunction is eliminated using the air bag warning lamp or CONSULT-II each time repair is finished. If malfunction is still observed, proceed to the next step. When malfunction is eliminated, further repair work is not required.

⊗ Trouble Diagnoses without CONSULT-II DIAGNOSTIC PROCEDURE 6

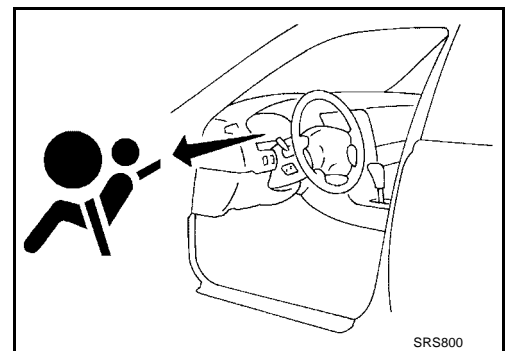
EHS0002S

Inspecting SRS malfunctioning parts by using "AIR BAG" warning lamp — Diagnosis mode

NOTE:

SRS will not enter Diagnosis mode if no malfunction is detected in User mode.

1. Turn ignition switch "ON".
2. After "AIR BAG" warning lamp lights for 7 seconds, turn ignition switch "OFF" within 1 second.
3. Wait more than 3 seconds.
4. Repeat steps 1 to 3 three times.
5. Turn ignition switch "ON".
SRS is now in Diagnosis mode.
6. "AIR BAG" warning lamp operates in Diagnosis mode as follows:



NOTE:

If SRS does not enter Diagnosis mode even though malfunction is detected in User mode, check the battery voltage.

If the battery voltage is less than 9V, charge the battery. Then refer to [SRS-35. "DIAGNOSTIC PROCEDURE 7"](#).

If the battery voltage is OK, replace the air bag diagnosis sensor unit.

TROUBLE DIAGNOSIS

No.	"AIR BAG" warning lamp flash pattern — Diagnosis mode —	SRS condition
1	<p style="text-align: right;">SRS333</p>	<p>a through b are repeated.</p> <ul style="list-style-type: none"> ● Diagnosis results (previously stored in the memory) might not be erased after repair. ● Intermittent malfunction has been detected in the past. <p>Go to SRS-37, "DIAGNOSTIC PROCEDURE 8 (CONTINUED FROM DIAGNOSTIC PROCEDURE 6)".</p>
2	<p style="text-align: right;">SRS341</p>	<p>a through d are repeated.</p> <p>b — Driver and passenger air bag and seat belt pre-tensioner marker (For identifying driver air bag, passenger air bag and/or seat belt pre-tensioners malfunctioning)</p> <p>d — Indicates malfunctioning part. The number of flash varies with malfunctioning part (0.5 sec. ON and 0.5 sec. OFF is counted as one flash.)</p> <p>The system is malfunctioning and needs to be repaired.</p>

7. Malfunctioning part is indicated by the number of flashes (part **d**). Compare the number of flashes to "Air Bag Warning Lamp Flash Code Chart". Refer to [SRS-32, "Air Bag Warning Lamp Flash Code Chart \(Diagnosis mode\)"](#), and locate malfunctioning part.
8. Turn ignition switch "OFF", and disconnect both battery cables.
9. Repair the system as outlined by the "Repair order" in "Warning Lamp Flash Code Chart" that corresponds to the flash code. For replacement procedure of component parts, refer to [SRS-40, "Removal and Installation"](#).
10. After repairing the system, refer to [SRS-35, "DIAGNOSTIC PROCEDURE 7"](#).

TROUBLE DIAGNOSIS

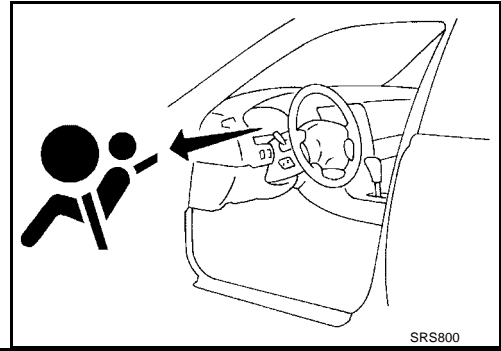
<p>The front LH seat belt pre-tensioner circuit is malfunctioning. (d : 3 flashes)</p>	<p style="text-align: center;">Flash pattern</p> <p style="text-align: right; font-size: small;">SRS802</p>	<p>a through d are repeated. d — Three flashes indicate malfunctioning driver pre-tensioner circuit.</p>	A B C D	
<p>Repair order (Recheck SRS at each replacement. Refer to SRS-18, "SRS Operation Check").</p>				
<ol style="list-style-type: none"> 1. Visually check the wiring harness connections. 2. Replace the harness if it has visible damage. 3. Replace front LH seat belt pre-tensioner. (Before disposing the front LH seat belt pre-tensioner, it must be deployed.) 4. Replace the air bag diagnosis sensor unit. 5. Replace the related harness. 				E F
<p>The crash zone sensor circuit is malfunctioning. (d : 6 flashes)</p>	<p style="text-align: center;">Flash pattern</p> <p style="text-align: right; font-size: small;">SRS911</p>	<p>a through d are repeated. d — Six flashes indicate malfunctioning crash zone sensor circuit.</p>	G SRS I	
<p>Repair order ("Recheck SRS at each replacement").</p>				
<ol style="list-style-type: none"> 1. Visually check the wiring harness connections. 2. Replace the harness if it has visible damage. 3. Replace crash zone sensor. 4. Replace the diagnosis sensor unit. 5. Replace the related harness. 				J K
<p>RH side curtain air bag module</p>	<p style="text-align: center;">Flash pattern</p> <p style="text-align: right; font-size: small;">WHIA0074E</p>	<p>a through f are repeated. f — five flashes indicate malfunctioning RH side curtain air bag module circuit.</p>	L M	
<p>Repair order ("Recheck SRS at each replacement").</p>				
<ol style="list-style-type: none"> 1. Visually check the wiring harness connections. 2. Replace the harness if it has visible damage. 3. Replace RH side curtain air bag module (Before disposal, it must be deployed). 4. Replace the diagnosis sensor unit. 5. Replace the related harness. 				

TROUBLE DIAGNOSIS

DIAGNOSTIC PROCEDURE 7

Final checking after repairing SRS by using "AIR BAG" warning lamp — Diagnosis mode and User mode

1. After repairing SRS connect both battery cables.
2. Turn ignition switch from "OFF" to "ON".
3. "AIR BAG" warning lamp operates in Diagnosis mode as follows:



No.	"AIR BAG" warning lamp flash pattern — Diagnosis mode —	SRS condition
1	<p style="text-align: right;">SRS333</p>	<p>a through b are repeated.</p> <p>No malfunction is detected or repair is completed. No further action is necessary.</p>
2	<p style="text-align: right;">SRS341</p>	<p>a through d are repeated.</p> <p>b — Driver and passenger air bag and seat belt pre-tensioner marker (For identifying driver air bag, passenger air bag and/or seat belt pre-tensioners malfunctioning)</p> <p>d — Indicates malfunctioning part. The number of flashes varies with malfunctioning part (0.5 sec. ON and 0.5 sec. OFF is counted as one flash.)</p> <p>The system is malfunctioning and needs to be repaired.</p>

NOTE:

When diagnosis sensor unit is replaced with new one, "AIR BAG" warning lamp will operate in User mode. Checking "AIR BAG" warning lamp operation in Diagnosis mode is not required. Go to step 5.

4. If "AIR BAG" warning lamp operates as shown in No. 1 in chart above, turn ignition switch "OFF" to reset from Diagnosis mode to User mode and to erase the memory of the malfunction. Then go to step 6.
If "AIR BAG" warning lamp operates as shown in No. 2 or No. 3 in chart above, the malfunctioning part is not repaired completely, or another malfunctioning part is detected. Refer to [SRS-30, "DIAGNOSTIC PROCEDURE 6"](#), and repair malfunctioning part completely.
5. Turn ignition switch "ON". "AIR BAG" warning lamp operates in User mode. Compare "AIR BAG" warning lamp operation to the chart below.

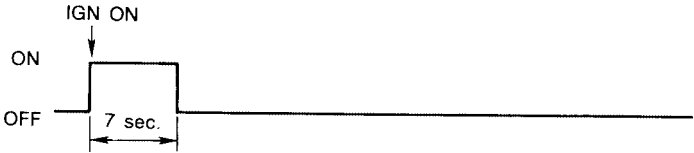
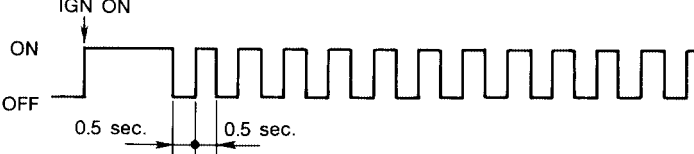


NOTE:

If switching Diagnosis mode to User mode is required while malfunction is being detected, by turning ignition switch as follows:

1. Turn ignition switch "ON".
2. After "AIR BAG" warning lamp lights for 7 seconds, turn ignition switch "OFF" within 1 second.
3. Wait more than 3 seconds.
4. Repeat steps 1 to 3 three times.
5. Turn ignition switch "ON".

SRS is now in User mode.

TROUBLE DIAGNOSIS

"AIR BAG" warning lamp operation — User mode —	SRS condition	Reference item
 <p>MRS096A</p>	<p>No malfunction is detected. No further action is necessary.</p>	<p>—</p>
 <p>MRS096A</p>	<p>The system is malfunctioning and needs to be repaired as indicated.</p>	<p>Go to SRS-30, "DIAGNOSTIC PROCEDURE 6".</p>
 <p>MRS097A</p>	<p>Air bag is deployed. Seat belt pre-tensioner is deployed.</p>	<p>Go to SRS-60, "Collision Diagnosis".</p>
 <p>MRS098A</p>	<p>One of the following has occurred and needs to be repaired.</p> <ul style="list-style-type: none"> ● Meter fuse is blown. ● "AIR BAG" warning lamp circuit has open or short. ● Air bag diagnosis sensor unit is malfunctioning. 	<p>Go to SRS-39, "DIAGNOSTIC PROCEDURE 10".</p>

TROUBLE DIAGNOSIS

DIAGNOSTIC PROCEDURE 8 (CONTINUED FROM DIAGNOSTIC PROCEDURE 6)

Inspecting SRS malfunctioning record

A

1. CONSIDER POSSIBILITY OF NOT ERASING SELF-DIAGNOSTIC RESULT AFTER REPAIRING

B

Is it the first time for maintenance of SRS?

Yes or No

C

Yes >> Go to [SRS-26, "DIAGNOSTIC PROCEDURE 5"](#) . (Further inspection cannot be performed without CONSULT-II.)

No >> Diagnosis results (previously stored in the memory) might not be erased after repair. Go to [SRS-35, "DIAGNOSTIC PROCEDURE 7"](#) .

D

E

F

G

SRS

I

J

K

L

M

TROUBLE DIAGNOSIS

Trouble Diagnoses: "AIR BAG" Warning Lamp Does Not Turn Off DIAGNOSTIC PROCEDURE 9

EHS000ZT

1. SEE THE DEPLOYMENT OF AIR BAG MODULE

Is air bag module deployed?

Yes or No

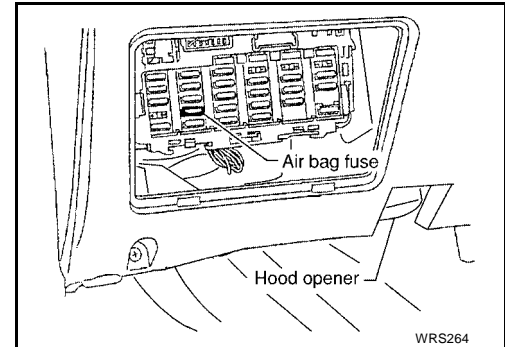
- Yes >> Refer to [SRS-60, "Collision Diagnosis"](#).
- No >> GO TO 2.

2. CHECK AIR BAG FUSE

Is SRS "AIR BAG" fuse OK?

OK or NG

- OK >> GO TO 4.
- NG >> GO TO 3.



3. CHECK AIR BAG FUSE AGAIN

Replace "AIR BAG" fuse and turn ignition switch ON.

Does "AIR BAG" fuse blow again?

- Yes >> Repair main harness.
- No >> **INSPECTION END**

4. CHECK DIAGNOSIS SENSOR UNIT

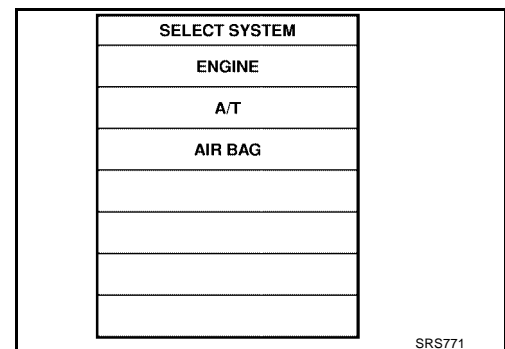


Connect CONSULT-II and touch "START".

- Is "AIR BAG" displayed on CONSULT-II?

Yes or No

- Yes >> GO TO 5.
- No >> Visually check the wiring harness connection of air bag diagnosis sensor unit. If the harness connection check result is OK, replace air bag diagnosis sensor unit.



5. CHECK HARNESS CONNECTION

Is harness connection between warning lamp and air bag diagnosis sensor unit OK?

OK or NG

- OK >> Replace air bag diagnosis sensor unit.
- NG >> Connect "AIR BAG" warning lamp and air bag diagnosis sensor unit connector properly. If "AIR BAG" warning lamp still does not go off, replace harness.

TROUBLE DIAGNOSIS

Trouble Diagnoses: "AIR BAG" Warning Lamp Does Not Turn On DIAGNOSTIC PROCEDURE 10

EHS000ZU

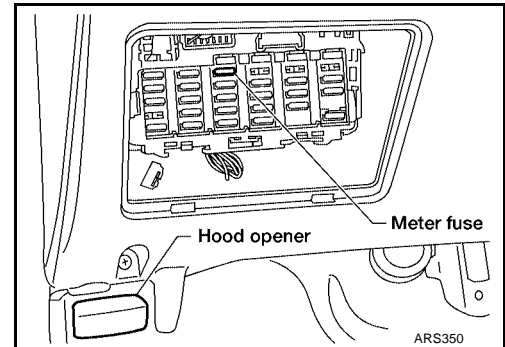
1. CHECK "METER" FUSE

Is meter fuse OK?

OK or NG

OK >> GO TO 3.

NG >> GO TO 2.



2. CHECK "METER" FUSE AGAIN

Replace meter fuse and turn ignition switch ON.

Does meter fuse blow again?

Yes >> Repair main harness.

No >> **INSPECTION END**

3. CHECK HARNESS CONNECTION BETWEEN AIR BAG DIAGNOSIS SENSOR UNIT AND "AIR BAG" WARNING LAMP

Disconnect air bag diagnosis sensor unit connector and turn ignition switch "ON".

- Does "AIR BAG" warning lamp turn on?

Yes or No

Yes >> Replace air bag diagnosis sensor unit.

No >> Check the ground circuit of "AIR BAG" warning lamp. If ground circuit is OK, replace combination meter.

A
B
C
D
E
F
G
I
J
K
L
M

SRS

DIAGNOSIS SENSOR UNIT

PFP:28556

EHS000IN

DIAGNOSIS SENSOR UNIT

Removal and Installation

CAUTION:

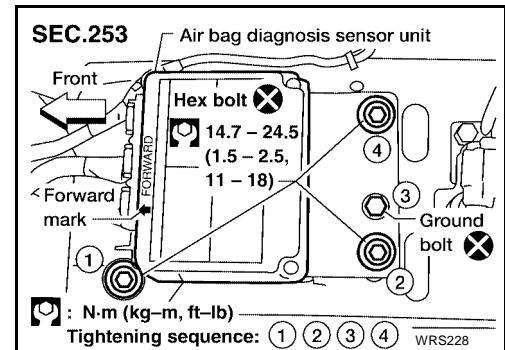
- Before servicing SRS, turn the ignition switch off, disconnect both battery cables and wait for at least 3 minutes.
 - The special bolts are coated with bonding agent while the other bolt is for ground. Do not reuse bolts after removal; replace with new ones.
 - Check air bag diagnosis sensor unit for proper installation.
 - Check air bag diagnosis sensor unit to ensure it is free of deformities, dents, cracks and rust. If there are any visible signs of damage, replace it with a new one.
 - Check air bag diagnosis sensor unit brackets to ensure they are free of deformities or rust.
 - Replace air bag diagnosis sensor unit if it has been dropped or has sustained an impact.
1. Disconnect driver and passenger air bag module connectors and seat belt pre-tensioner connectors.
 2. Remove console box. Refer to [IP-10, "INSTRUMENT PANEL ASSEMBLY"](#).
 3. Disconnect air bag diagnosis sensor unit connector.
 4. Remove ground bolt and also remove hex head bolts from air bag diagnosis sensor unit. Then remove the air bag diagnosis sensor unit.

NOTE:

- To install, reverse the removal procedure and tighten new bolts in the sequence indicated in the illustration.
- After replacement, perform self-diagnosis for SRS. Refer to [SRS-18, "SRS Operation Check"](#).

CAUTION:

Air bag diagnosis sensor unit must always be installed with forward mark "←" pointing toward the front of the vehicle for proper operation. Also check air bag diagnosis sensor unit for deformities, dents, cracks and rust before installation and replace as required.



CRASH ZONE SENSOR

PFP:98531

CRASH ZONE SENSOR

Removal and Installation

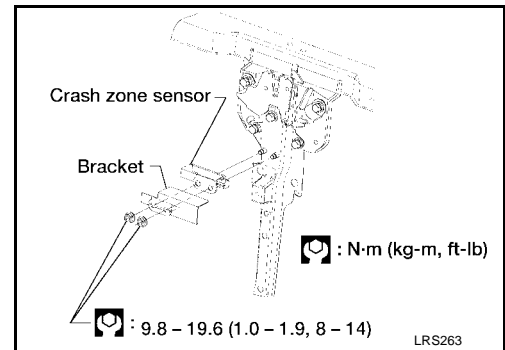
EHS0010

CAUTION:

- Before servicing SRS, turn the ignition switch off, disconnect both battery cables and wait at least 3 minutes.
 - Check crash zone sensor for proper installation.
 - Check crash zone sensor to ensure it is free of deformities, dents, cracks or rust. If it shows any visible signs of damage, replace it with new one.
 - After replacement of crash zone sensor, check SRS function and perform self-diagnosis for SRS. Refer to [SRS-18, "SRS Operation Check"](#)
 - Do not attempt to disassemble crash zone sensor.
 - Replace crash zone sensor if it has been dropped or sustained an impact.
1. Disconnect crash zone sensor.
 2. Remove nuts from crash zone sensor and bracket. Then remove bracket and crash zone sensor from radiator support.

NOTE:

- To install, reverse the removal procedure sequence.



A
B
C
D
E
F
G
I
J
K
L
M

SRS

SIDE AIR BAG (SATELLITE) SENSOR

PFP:98830

SIDE AIR BAG (SATELLITE) SENSOR

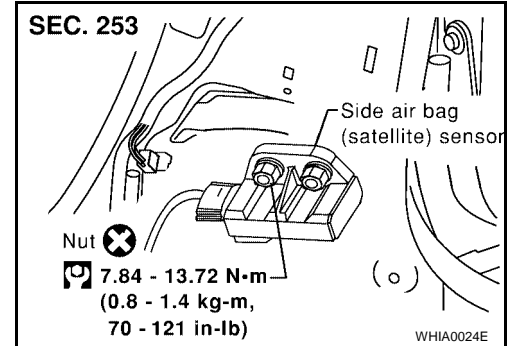
EHS000LV

Removal and Installation

REMOVAL

CAUTION:

- Before servicing SRS, turn the ignition switch off, disconnect both battery cables and wait at least 3 minutes.
1. Remove seat belt pre-tensioner. Refer to [SB-3, "Removal and Installation"](#).
 2. Remove side air bag (satellite) sensor fixing nuts.
 3. Remove the side air bag (satellite) sensor connector.



CAUTION:

- Do not use old nuts; replace with new ones.
- Check side air bag (satellite) sensor to ensure it is free of deformities, dents, cracks or rust. If it shows any visible signs of damage, replace it with new one.
- Do not attempt to disassemble side air bag (satellite) sensor.
- Replace side air bag (satellite) sensor if it has been dropped or sustained an impact.

INSTALLATION

To install, reverse the removal procedure.

CAUTION:

- Check side air bag (satellite) sensor for proper installation.
- After replacement of side air bag (satellite) sensor, perform self-diagnosis to check that no malfunction is detected. Refer to [SRS-18, "SRS Operation Check"](#).

FRONT SEAT BELT PRE-TENSIONER

FRONT SEAT BELT PRE-TENSIONER

Removal and Installation

For removal and installation of seat belt pre-tensioner, refer to [SB-3, "FRONT SEAT BELT"](#) .

PFP:86884

EHS000IP

A

B

C

D

E

F

G

SRS

I

J

K

L

M

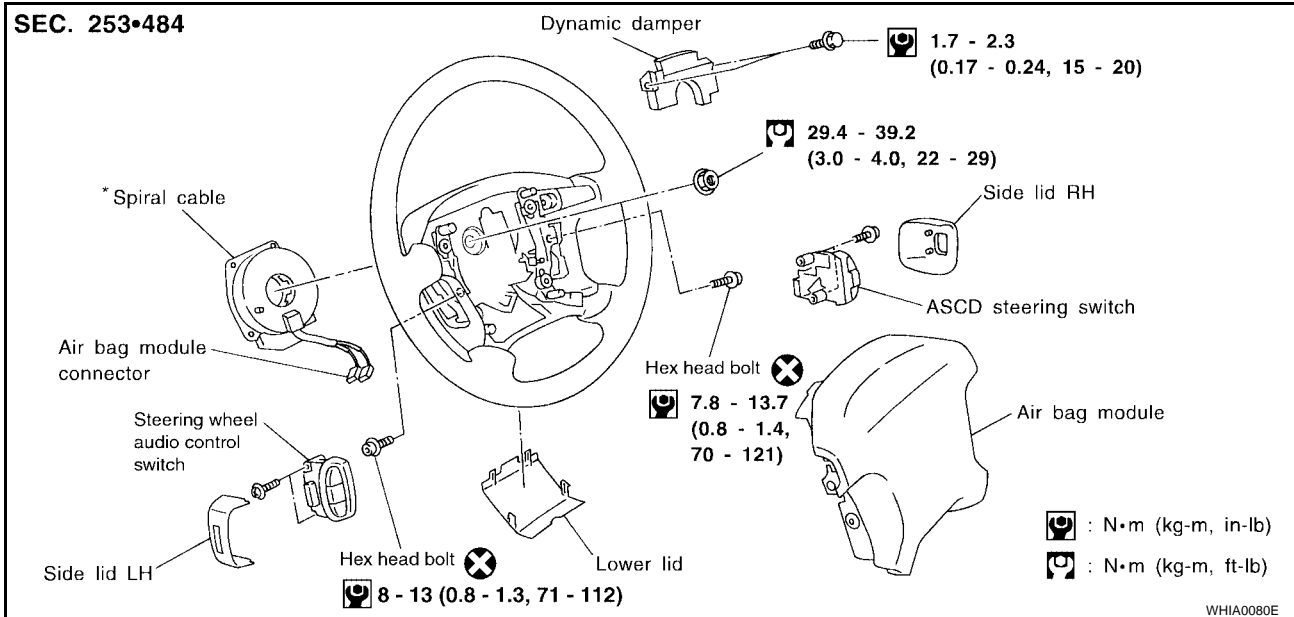
DRIVER AIR BAG MODULE AND SPIRAL CABLE

PFK:K8510

DRIVER AIR BAG MODULE AND SPIRAL CABLE

Removal and Installation

EHS0001Q

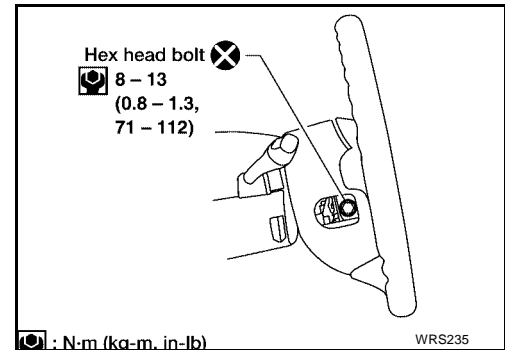


*If equipped with VDC, refer to [BRC-55, "Adjustment of Steering Angle Sensor Neutral Position"](#) for steering wheel angle sensor adjustment.

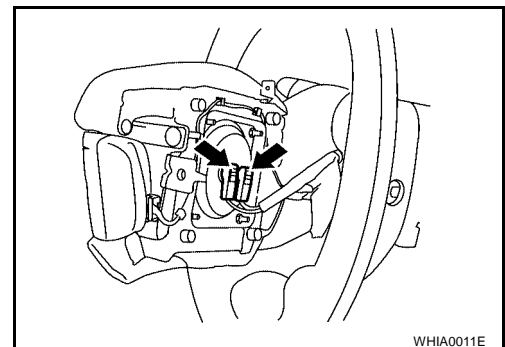
REMOVAL

CAUTION:

- Before servicing SRS, turn the ignition switch OFF, disconnect both battery cables and wait at least 3 minutes.
 - Always work from the side of an air bag module.
1. Remove side lids and/or switch covers and switches.
 2. Remove the right and left special hex head bolts.



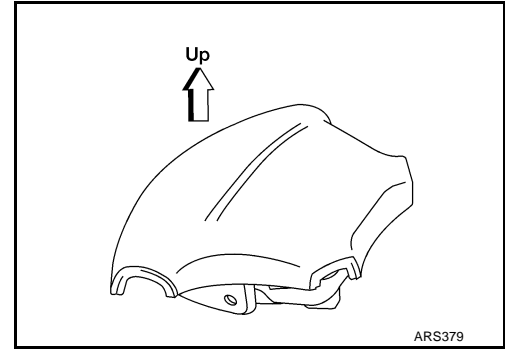
3. Disconnect the air bag harness connectors, and remove the air bag module.
 - For removal/installation of the direct-connect SRS connectors, refer to [SRS-7, "Direct-connect SRS Component Connectors"](#).



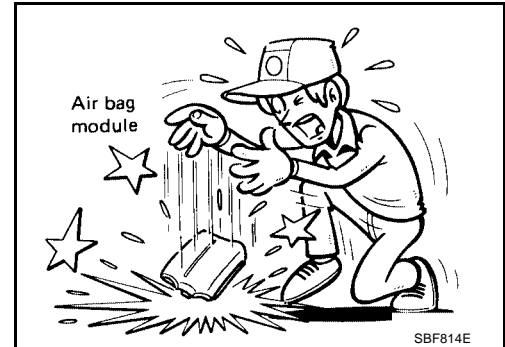
DRIVER AIR BAG MODULE AND SPIRAL CABLE

CAUTION:

- Always place air bag module with pad side facing upward.
- Do not attempt to disassemble air bag module.
- The special bolts are coated with bonding agent. Do not use old bolts after removal; replace with new ones.
- Do not insert any foreign objects (screwdriver, etc.) into air bag module connector.



- Do not drop or impact air bag module. If any portion is deformed or cracked, replace the module.
- Do not expose the air bag module to temperatures exceeding 90°C (194°F).
- Do not allow oil, grease or water to come in contact with the air bag module.



4. Set steering wheel in the neutral position.
5. Disconnect spiral cable connector from steering wheel sub-harness and remove nut.
6. Remove dynamic damper, then using steering wheel puller, remove steering wheel. Be careful not to over-tighten puller bolt on steering wheel.

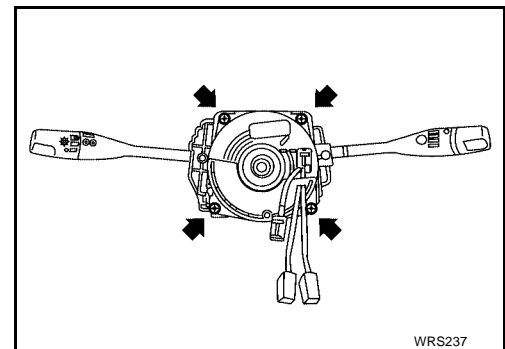
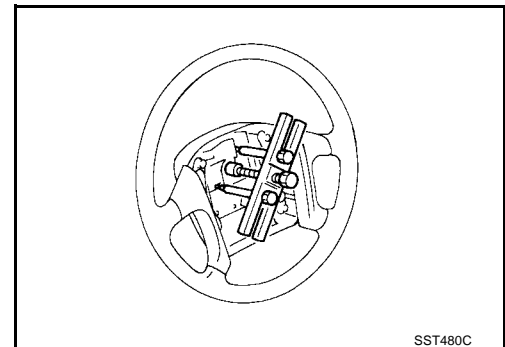
CAUTION:

- Do not tap or bump the steering wheel.

7. Remove steering column covers, instrument panel lower LH and knee protector.
8. Disconnect spiral cable connector from air bag harness.
9. Remove the four spiral cable retaining screws. Remove the spiral cable.

CAUTION:

- Do not attempt to disassemble spiral cable.
- Do not apply lubricant to the spiral cable.



A
B
C
D
E
F
G

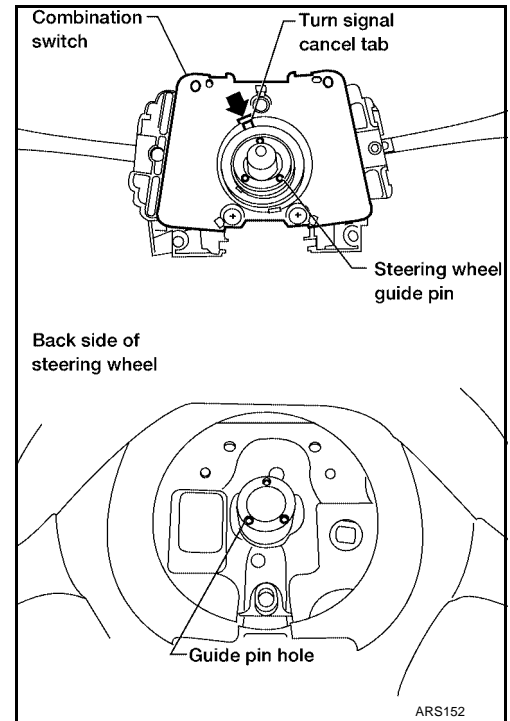
SRS

I
J
K
L
M

DRIVER AIR BAG MODULE AND SPIRAL CABLE

INSTALLATION

1. Set the front wheels in the straight-ahead position.
2. Align the turn signal cancel tab with the notch of the combination switch as shown.

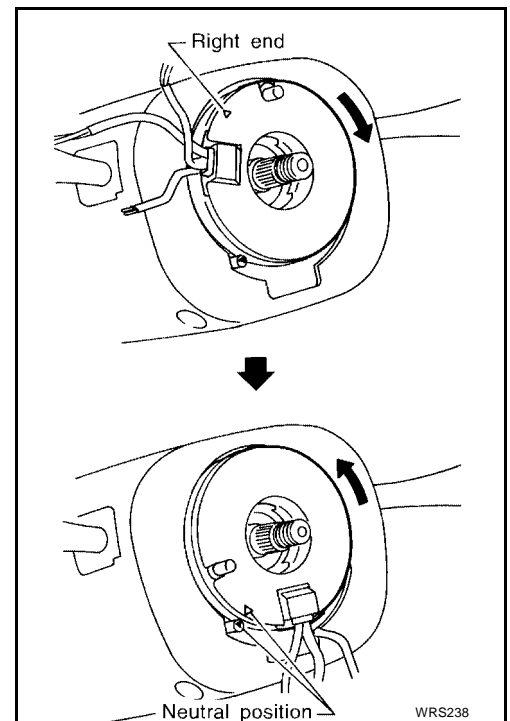


3. Rotate the spiral cable fully clockwise until tight.
4. Rotate the spiral cable counterclockwise approximately 2.25 turns and align white pin with arrow on housing and yellow wheel shows in window.

- When the spiral cable is centered, white pin is aligned with arrow on housing and yellow wheel shows in window.

CAUTION:

- The spiral cable may snap during steering operation if the spiral cable is installed in an improper position.
 - Also, with the steering linkage disconnected, the cable may snap by turning the steering wheel beyond the limited number of turns. The spiral cable can be turned counterclockwise approximately 2.25 turns. Always perform SRS self-diagnosis after installing the air bag module. Refer to [SRS-18, "SRS Operation Check"](#).
5. Connect spiral cable to air bag harness and tighten screws. Install steering column covers.

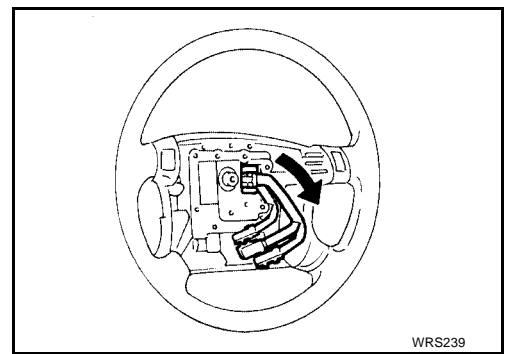


DRIVER AIR BAG MODULE AND SPIRAL CABLE

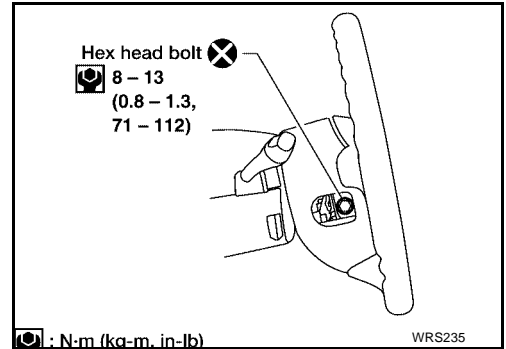
6. Install steering wheel, setting spiral cable pin guide, and pull spiral cable connectors through.
7. Install dynamic damper.
8. Tighten steering wheel nut.



: 29 - 39 N·m (3.0 - 4.0 kg·m,
22 - 29 ft·lb)



9. Position driver air bag module and install two new hex head bolts.
10. Connect driver air bag module connector.
 - For removal/installation of the direct-connect SRS connectors, refer to [SRS-7, "Direct-connect SRS Component Connectors"](#).
11. Install all lids and steering switches.
12. Connect both battery cables.
 - If equipped with VDC, refer to [BRC-55, "Adjustment of Steering Angle Sensor Neutral Position"](#) for steering wheel angle sensor adjustment.



13. Conduct self-diagnosis to ensure entire SRS operates properly. (Use CONSULT-II or "AIR BAG" warning lamp check.) Turn the steering wheel fully to the right and left to check that the spiral cable is set in the neutral position.
14. If "AIR BAG" warning lamp blinks (in User mode), it shows the spiral cable may be snapped due to its improper position. Perform self-diagnosis again. (Use CONSULT-II or "AIR BAG" warning lamp check.) If a malfunction is detected, replace the spiral cable with a new one.

NOTE:

- After replacement, perform self-diagnosis for SRS. Refer to [SRS-18, "SRS Operation Check"](#).

A
B
C
D
E
F
G
SRS
I
J
K
L
M

FRONT PASSENGER AIR BAG MODULE

PFK:K8515

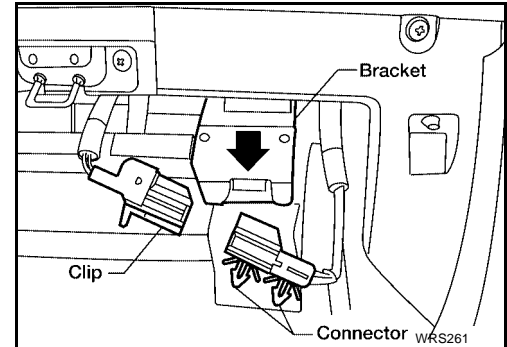
FRONT PASSENGER AIR BAG MODULE

Removal and Installation REMOVAL

EHS000LW

CAUTION:

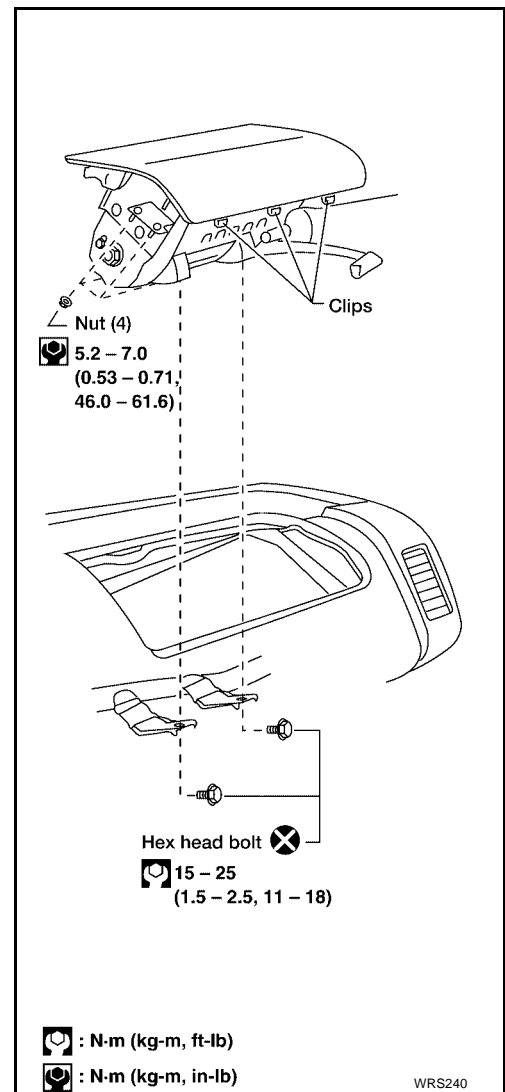
- Before servicing SRS, turn the ignition switch OFF, disconnect both battery cables and wait for at least 3 minutes.
 - Always work from the side of an air bag module.
1. Open glove box assembly.
 2. Reach up and bend down deformable connector mounting bracket assembly.



3. Remove passenger air bag module connector clip from bracket.
4. Disconnect passenger air bag module connector from air bag harness connector.
5. Remove glove box and instrument panel lower passenger side. Refer to [IP-10, "INSTRUMENT PANEL ASSEMBLY"](#).

FRONT PASSENGER AIR BAG MODULE

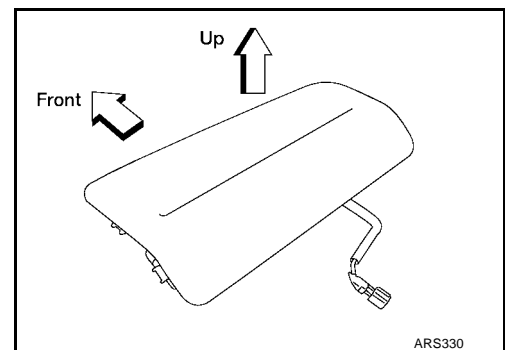
6. Remove two hex head bolts.
7. Remove four mounting nuts.
8. Remove passenger air bag module by releasing the clips from the top of the instrument panel.



- The air bag module is heavy and should be supported using both hands during removal.

CAUTION:

- Always place air bag module with pad side facing upward.
- Do not attempt to disassemble air bag module.
- The special bolts are coated with a bonding agent. Do not use old bolts after removal; replace with new coated bolts.
- Do not insert any foreign objects (screwdriver, etc.) into air bag module connector.



- Do not drop or impact air bag module. If any portion is deformed or cracked, replace the module.
- Do not expose the air bag module to temperatures exceeding 90°C (194°F).
- Do not allow oil, grease or water to come in contact with the air bag module.
- After air bag inflates, the instrument panel assembly should be replaced if damaged.



A
B
C
D
E
F
G

SRS

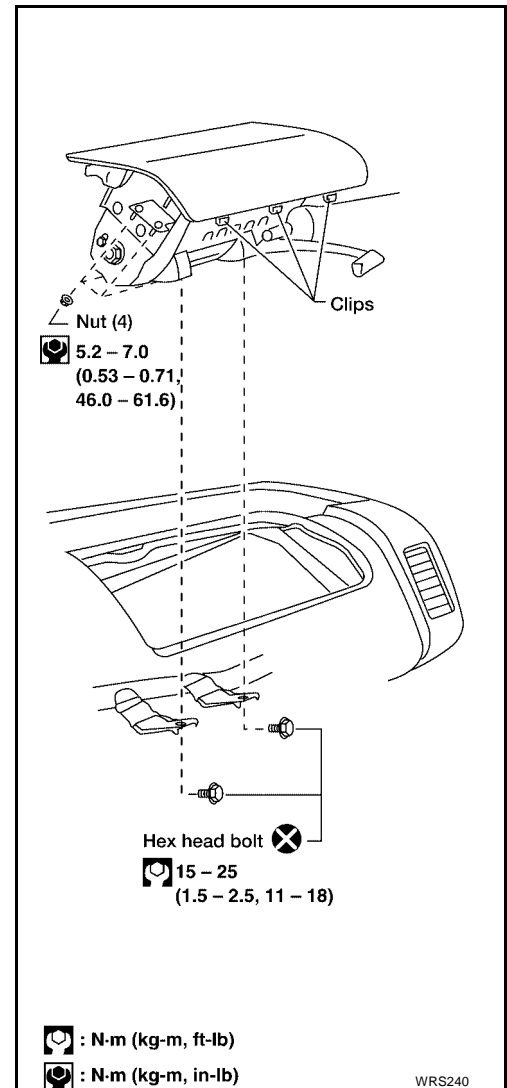
I
J
K
L
M

FRONT PASSENGER AIR BAG MODULE

INSTALLATION

CAUTION:

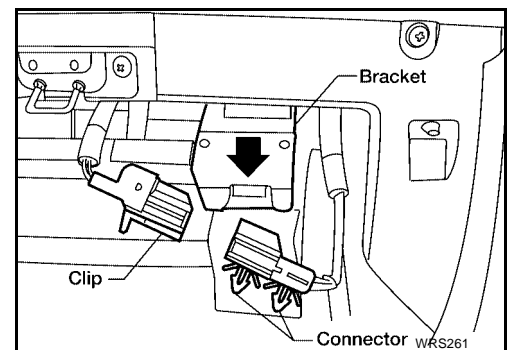
- **Always work from the side of an air bag module.**
1. Install passenger air bag module in instrument panel.
 1. Insert front edge of passenger air bag module first to ease installation.
 - Ensure harness is not caught between passenger air bag module and support bracket.
 2. Install four mounting nuts.
 3. Install two new hex head bolts.
 2. Install instrument panel lower passenger side and glove box.



3. Connect passenger air bag module connector to air bag harness connector.
4. Attach passenger air bag module connector clip to lid.
5. Close lid and glove box.
6. Connect both battery cables.
7. Conduct self-diagnosis to ensure entire SRS operates properly. (Use CONSULT-II or "AIR BAG" warning lamp check.)

NOTE:

- **After replacement, perform self-diagnosis for SRS. Refer to [SRS-18, "SRS Operation Check"](#).**



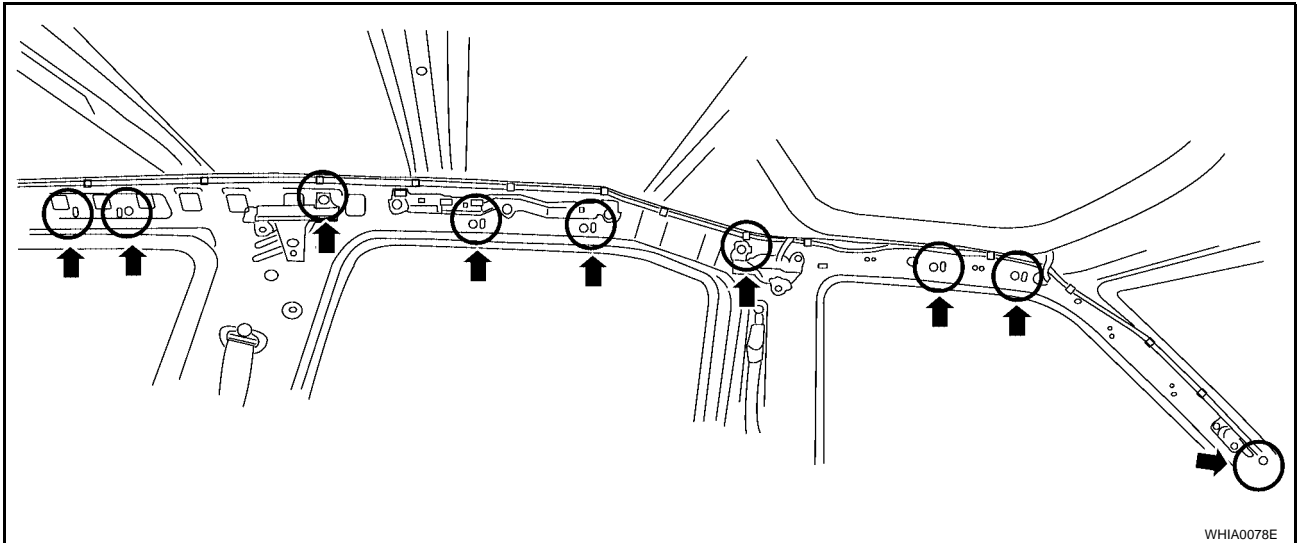
SIDE CURTAIN AIR BAG MODULE

SIDE CURTAIN AIR BAG MODULE

PF9:985P0

Removal and Installation

EHS000LO



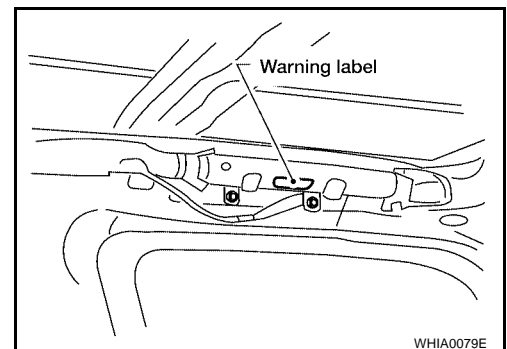
REMOVAL

CAUTION:

- Before servicing SRS, turn the ignition switch off, disconnect both battery cables and wait at least 3 minutes.
 - Always work from the side of the side curtain air bag module.
1. Remove headlining. Refer to [EI-24, "Removal and Installation"](#).
 2. Remove three rearmost side curtain air bag inflator attaching bolts, and unhook the side curtain air bag inflator.
 3. Disconnect side curtain air bag connector.
 - For removal/installation of the direct-connect SRS connectors, refer to [SRS-7, "Direct-connect SRS Component Connectors"](#).
 4. Unclip wiring harness from side curtain air bag module bracket.
 5. Remove side curtain air bag module attaching bolts and remove the side curtain air bag module.

CAUTION:

- Always place the side curtain air bag module with the warning label facing upward.
- Do not attempt to disassemble side curtain air bag module.
- Do not insert any foreign objects (screwdriver, etc.) into air bag module connector.



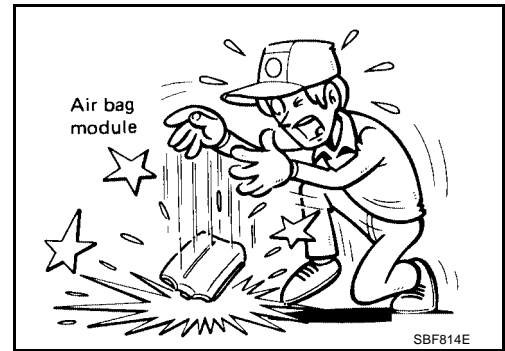
A
B
C
D
E
F
G

SRS

I
J
K
L
M

SIDE CURTAIN AIR BAG MODULE

- Replace side curtain air bag module if it has been dropped or sustained an impact.
- Do not expose the air bag module to temperatures exceeding 90°C (194°F).
- Do not allow oil, grease or water to come in contact with the side curtain air bag module.



INSTALLATION

To install, reverse the removal procedure.

- For removal/installation of the direct-connect SRS connectors, refer to [SRS-7, "Direct-connect SRS Component Connectors"](#) .

CAUTION:

- Always work from the side of the side curtain air bag module.
- After replacement of side curtain air bag module, perform self-diagnosis to check that no malfunction is detected. Refer to [SRS-18, "SRS Operation Check"](#) .

DISPOSAL OF AIR BAG MODULE AND SEAT BELT PRE-TENSIONER

PF0:00014

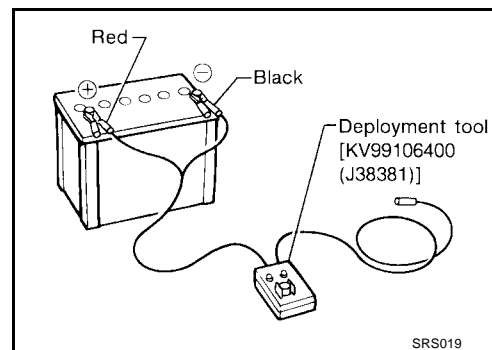
Disposal of Air Bag Module and Seat Belt Pre-tensioner

EHS000IV

- Before disposing of air bag modules and seat belt pre-tensioners, or vehicles equipped with such systems, deploy the systems. If such systems have already been deployed due to an accident, dispose of as indicated in [SRS-53, "Disposal of Air Bag Module and Seat Belt Pre-tensioner"](#).
- When deploying air bag module or seat belt pre-tensioner, always use the Special Service Tool; Deployment tool KV99106400 (Kent-Moore No. J38381).
- When deploying air bag module or seat belt pre-tensioner, stand at least 5 m (16 ft) away from the deployment component.
- When deploying air bag module or seat belt pre-tensioner, a fairly loud noise is made, followed by smoke being released. The smoke is not poisonous, however, be careful not to inhale smoke as it irritates the throat and can cause choking.
- Only activate one air bag module or seat belt pre-tensioner at a time.
- Due to heat, leave air bag module unattended for more than 30 minutes after deployment. Leave seat belt pre-tensioner unattended for more than 10 minutes after deployment.
- Be sure to wear gloves when handling a deployed air bag module or seat belt pre-tensioner.
- Never apply water to a deployed air bag module or seat belt pre-tensioner.
- Wash your hands clean after finishing work.
- Place the vehicle outdoors with an open space of at least 6 m (20 ft) on all sides when deploying air bag module or seat belt pre-tensioner while mounted in vehicle.
- Use a voltmeter to make sure the vehicle battery is fully charged.
- Do not dispose of the air bag module or seat belt pre-tensioner un-deployed.

CHECKING DEPLOYMENT TOOL

Connecting to Battery



CAUTION:

The battery must show voltage of 9.6V or more.

Remove the battery from the vehicle and place it on dry wood blocks approximately 5 m (16 ft) away from the vehicle.

- Wait 3 minutes after the vehicle battery is disconnected before proceeding.
- Connect red clip of deployment tool [SST: KV99106400 (J38381)] to battery positive terminal and black clip to negative terminal.

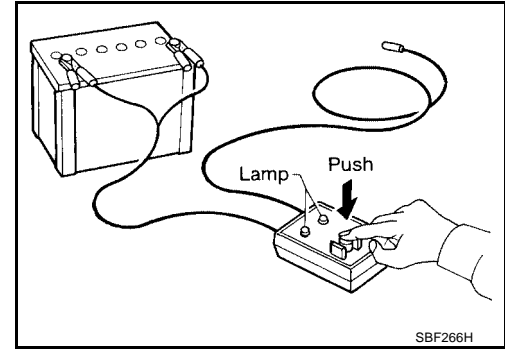
CAUTION:

Make sure the polarity is correct. The right side lamp on the deployment tool [SST: KV99106400 (J38381)], marked "DEPLOYMENT TOOL POWER", should glow with a green light. If the right side lamp glows red, reverse the connections to the battery.

DISPOSAL OF AIR BAG MODULE AND SEAT BELT PRE-TENSIONER

Deployment Tool Check

Press the deployment tool [SST: KV99106400 (J38381)] switch to the ON position. The left side lamp on the deployment tool [SST: KV99106400 (J38381)], marked "AIR BAG CONNECTOR VOLTAGE", should illuminate. If it does not illuminate, replace the tool.



Air Bag Deployment Tool Lamp Illumination Chart (Battery connected)

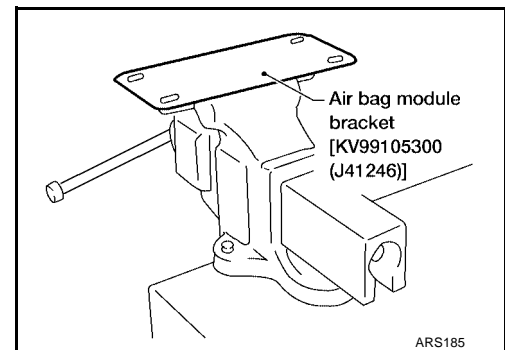
Switch operation	Left side lamp, green* "AIR BAG CONNECTOR VOLTAGE"	Right side lamp, green* "DEPLOYMENT TOOL POWER"
OFF	OFF	ON
ON	ON	ON

*: If this lamp glows red, the tool is connected to the battery incorrectly. Reverse the connections and make sure the lamp glows green.

DEPLOYMENT PROCEDURES FOR AIR BAG MODULE (OUTSIDE OF VEHICLE)

Unless the vehicle is being scrapped, deploying the air bag modules in the vehicle is not recommended. This may cause damage to the vehicle interior.

Anchor air bag module bracket [KV99105300 (J41246)] in a vise secured to a firm foundation during deployment.



Deployment of Driver Air Bag Module (Outside of vehicle)

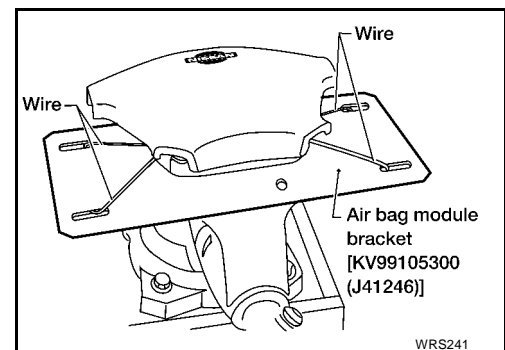
- Using wire, secure driver air bag module to air bag module bracket [SST: KV99105300 (J41246)] at two places.

CAUTION:

If a gap exists between driver air bag module and air bag module bracket, use a piece of wood inserted in the gap to stabilize the air bag module.

Use wire of at least 1 mm (0.04 in) diameter.

- Firmly secure air bag module bracket [SST: KV99105300 (J41246)] with driver air bag module attached, in a vise.

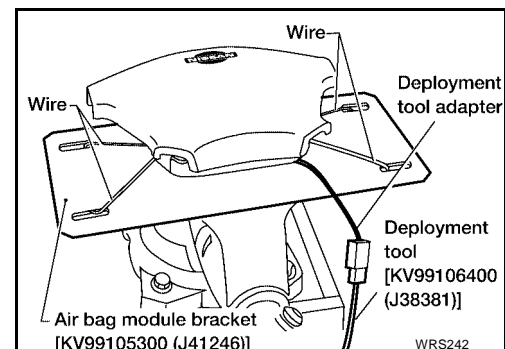


- Connect deployment tool adapter [SST: J38381-80-A] to deployment tool [SST: KV99106400 (J38381)] connector and to driver air bag module connector.

- Connect red clip of deployment tool [SST: KV99106400 (J38381)] to battery positive terminal and black clip to negative terminal.

- The right side lamp on the deployment tool [SST: KV99106400 (J38381)], marked "DEPLOYMENT TOOL POWER", should glow green, not red.

- Press the button on the deployment tool [SST: KV99106400 (J38381)]. The left side lamp on the deployment tool [SST:



DISPOSAL OF AIR BAG MODULE AND SEAT BELT PRE-TENSIONER

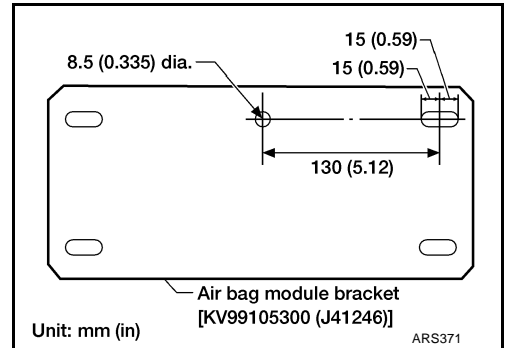
KV99106400 (J38381)], marked "AIR BAG CONNECTOR VOLTAGE", will illuminate and the air bag module will deploy.

CAUTION:

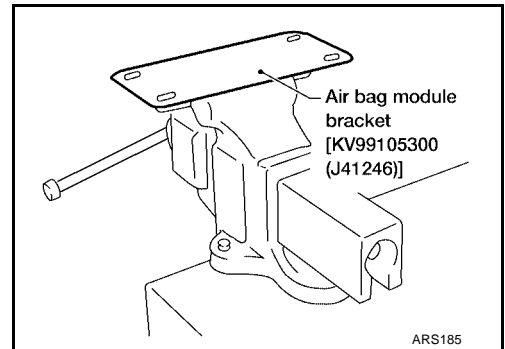
When deploying the air bag module, stand at least 5 m (16 ft) away from the air bag module.

Deployment of Passenger Air Bag Module (Outside of vehicle)

1. Make an 8.5 mm (0.335 in) diameter hole in air bag module bracket [SST: KV99105300 (J41246)] at the position shown.



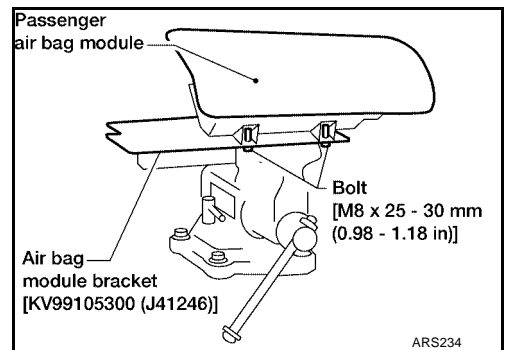
2. Firmly secure air bag module bracket [SST: KV99105300 (J41246)] in a vise.



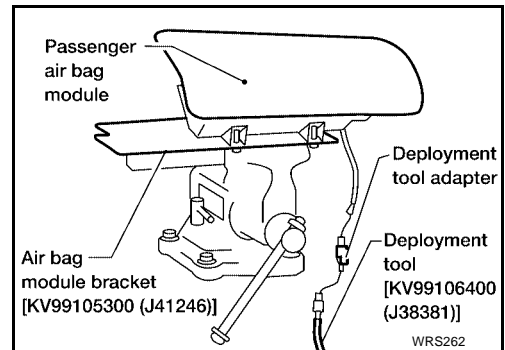
3. Match the two holes in air bag module bracket [SST: KV99105300 (J41246)] (held in vise) and passenger air bag module and attach it with two bolts [M8 x 25 - 30 mm (0.98 - 1.18 in)].

CAUTION:

If a gap exists between passenger air bag module and air bag module bracket, use a piece of wood inserted in the gap to stabilize the air bag module.



4. Connect deployment tool adapter [SST: J38381-65] to deployment tool [SST: KV99106400 (J38381)] connector and passenger air bag module connector.



A
B
C
D
E
F
G
I
J
K
L
M

SRS

DISPOSAL OF AIR BAG MODULE AND SEAT BELT PRE-TENSIONER

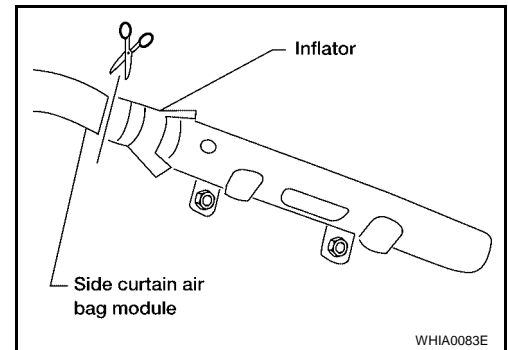
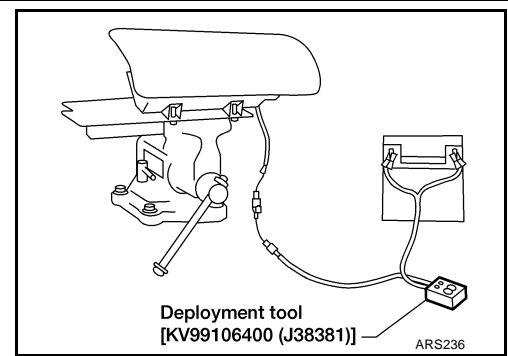
5. Connect red clip of deployment tool [SST: KV99106400 (J38381)] to battery positive terminal and black clip to negative terminal.
6. The right side lamp on the deployment tool [SST: KV99106400 (J38381)], marked "DEPLOYMENT TOOL POWER", should glow green, not red.
7. Press the button on the deployment tool [SST: KV99106400 (J38381)]. The left side lamp on the deployment tool [SST: KV99106400 (J38381)], marked "AIR BAG CONNECTOR VOLTAGE", will illuminate and the air bag module will deploy.

CAUTION:

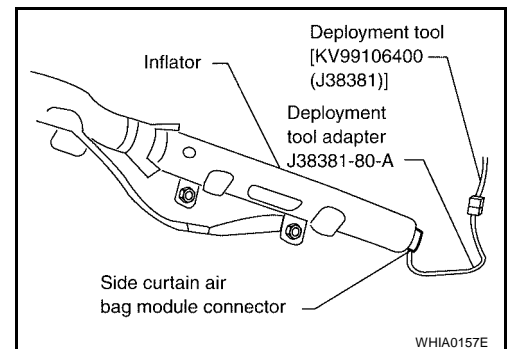
- When deploying the air bag module, stand at least 5 m (16 ft) away from the air bag module.

Deployment of Side Curtain Air Bag Module (Outside of vehicle)

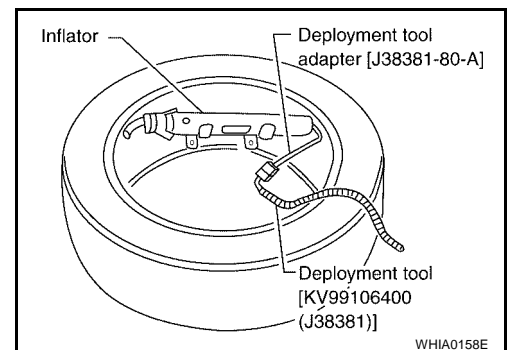
1. Cut the inflator from side curtain air bag module.



2. Connect deployment tool [SST: KV99106400 (J38381)] to the inflator using deployment tool adapter (J38381-80-A).



3. Put the inflator connected with the deployment tool [SST: KV99106400 (J38381)] into a tire without a wheel.



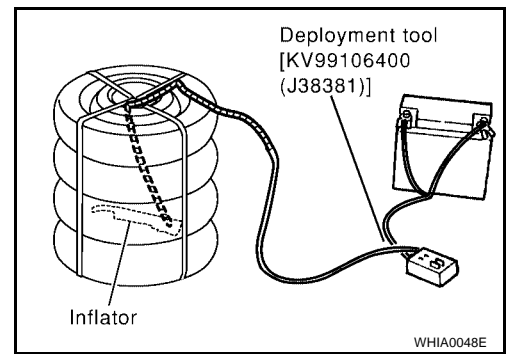
DISPOSAL OF AIR BAG MODULE AND SEAT BELT PRE-TENSIONER

- Put the tire with the inflator onto another tire without wheel. Add an additional tire without a wheel and then a tire mounted on a wheel on top.

CAUTION:

Tie all tires together with a strap in order keep them standing.

- Connect red clip of deployment tool to battery positive terminal and black clip to negative terminal.
- The lamp on the right side of the tool, marked "deployment tool power", should glow green, not red.
- Press the button on the deployment tool. The left side lamp on the tool, marked "air bag connector voltage", will illuminate and the air bag module will deploy.



CAUTION:

When deploying the side curtain air bag module, stand at least 5 m (16 ft) away from the side curtain air bag module.

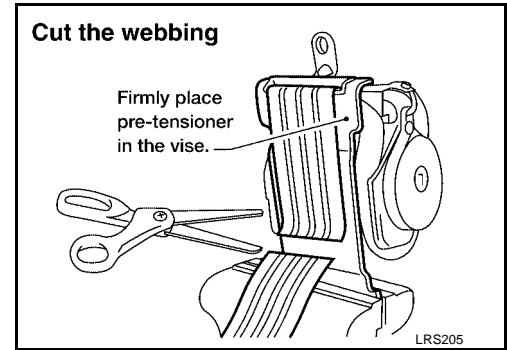
A
B
C
D
E
F
G
I
J
K
L
M

SRS

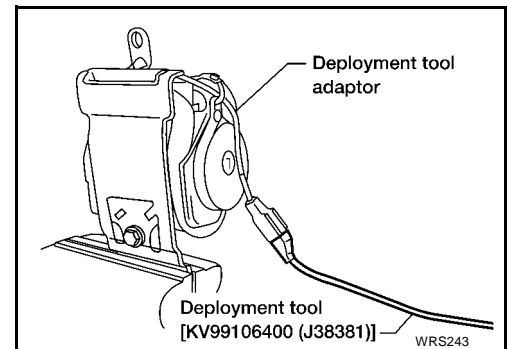
DISPOSAL OF AIR BAG MODULE AND SEAT BELT PRE-TENSIONER

Deployment of Seat Belt Pre-tensioner (Outside of vehicle)

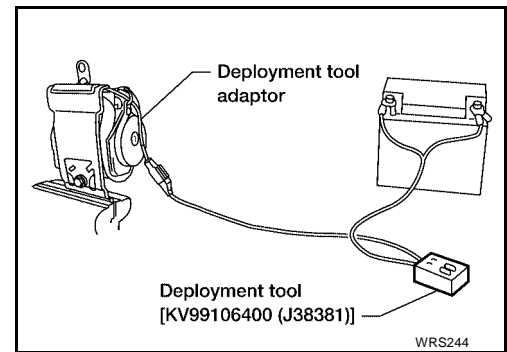
1. Firmly anchor seat belt pre-tensioner in a vise, then cut webbing off.



2. Connect deployment tool [SST: KV99106400 (J38381)] and deployment tool adapter [SST: J38381-80-A] connector to seat belt pre-tensioner.



3. Connect red clip of deployment tool [SST: KV99106400 (J38381)] to battery positive terminal and black clip to negative terminal.
4. The right side lamp on the deployment tool [SST: KV99106400 (J38381)], marked "DEPLOYMENT TOOL POWER", should glow green, not red.
5. Press the button on the deployment tool [SST: KV99106400 (J38381)]. The left side lamp on the deployment tool [SST: KV99106400 (J38381)], marked "AIR BAG CONNECTOR VOLTAGE", will illuminate and the seat belt pre-tensioner will deploy.



CAUTION:

- When deploying the seat belt pre-tensioner, stand at least 5 m (16 ft) away from the seat belt pre-tensioner.

DISPOSAL OF AIR BAG MODULE AND SEAT BELT PRE-TENSIONER

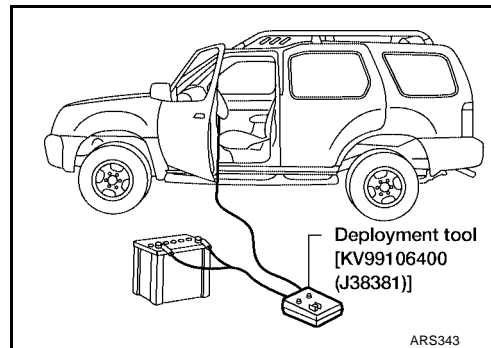
DEPLOYMENT OF AIR BAG MODULE AND SEAT BELT PRE-TENSIONER WHILE MOUNTED IN VEHICLE

When disposing of a vehicle, deploy air bag modules and seat belt pre-tensioners while they are mounted in vehicle.

CAUTION:

When deploying air bag module or seat belt pre-tensioner, ensure vehicle is empty.

1. Disconnect both battery cables and wait 3 minutes.
2. Disconnect air bag module connector or seat belt pre-tensioner connector.
3. Connect deployment tool [SST: KV99106400 (SST: J38381)] to air bag module or seat belt pre-tensioner, use deployment tool adapter [SST: J38381-80-A].
For passenger air bag module, use deployment tool adapter [J38381-65] to attach passenger air bag module to deployment tool [SST: KV99106400 (SST: J38381)].
4. Connect red clip of deployment tool [SST: KV99106400 (J38381)] to battery positive terminal and black clip to negative terminal.
5. The right side lamp on the deployment tool [SST: KV99106400 (J38381)], marked "DEPLOYMENT TOOL POWER", should glow green, not red.
6. Press the button on the deployment tool [SST: KV99106400 (J38381)]. The left side lamp on the deployment tool [SST: KV99106400 (J38381)], marked "AIR BAG CONNECTOR VOLTAGE", will illuminate and the air bag module or seat belt pre-tensioner will deploy.

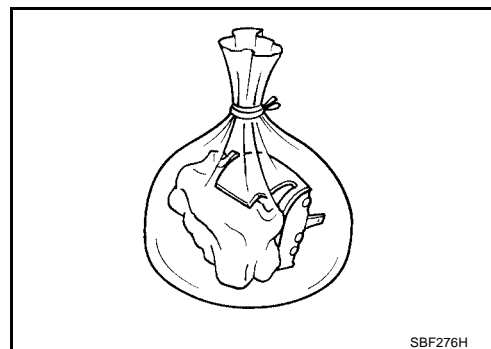


DISPOSING OF AIR BAG MODULE AND SEAT BELT PRE-TENSIONER

Deployed air bag modules and seat belt pre-tensioners are very hot. Before disposing of air bag modules and seat belt pre-tensioners, wait at least 30 minutes and 10 minutes, respectively. Seal them in a plastic bag before disposal.

CAUTION:

- Never apply water to a deployed air bag module or seat belt pre-tensioner.
- Be sure to wear gloves when handling a deployed air bag module or seat belt pre-tensioner.
- No poisonous gas is produced upon air bag module or seat belt pre-tensioner deployment. However, be careful not to inhale gas since it irritates the throat and can cause choking.
- Do not attempt to disassemble air bag module or seat belt pre-tensioner.
- Air bag module or seat belt pre-tensioner cannot be reused.
- Wash your hands clean after finishing work.



COLLISION DIAGNOSIS

PFP:00015

COLLISION DIAGNOSIS

Collision Diagnosis

EHS000J5

To repair the SRS, perform the following steps.

When SRS is activated in a collision:

1. Replace the air bag diagnosis sensor unit.
2. Remove the air bag modules and seat belt pre-tensioner assemblies.
3. Check the SRS components using the table shown below:
 - Replace any SRS components showing visible signs of damage (dents, cracks and deformation).
4. Install new air bag modules and seat belt pre-tensioner assemblies.
5. Conduct self-diagnosis using CONSULT-II or “AIR BAG” warning lamp. Refer to [SRS-18, "SRS Operation Check"](#) . Ensure entire SRS operates properly.

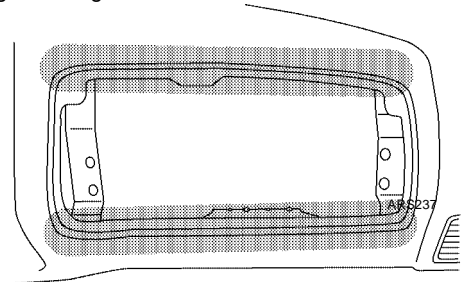
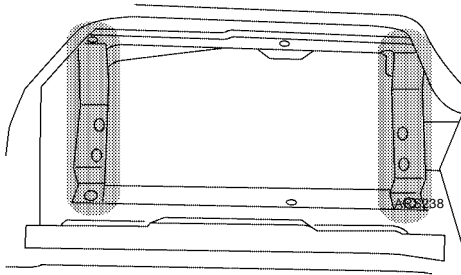
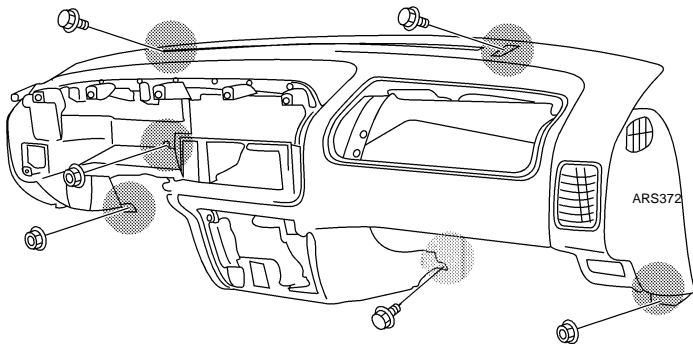
When SRS is not activated in a collision:

1. Check the SRS components using the table shown below:
 - Replace any SRS components showing visible signs of damage (dents, cracks and deformation).
2. Conduct self-diagnosis using CONSULT-II or “AIR BAG” warning lamp. Refer to [SRS-18, "SRS Operation Check"](#) . Ensure entire SRS operates properly.

SRS INSPECTION (FOR FRONTAL COLLISION)

Part	SRS is activated	SRS is NOT activated
Air bag module (driver and passenger side)	REPLACE Install with new special bolts coated with bonding agent.	<ol style="list-style-type: none"> 1. Remove air bag module. Check harness cover and connectors for damage, terminals for deformities, and harness for binding. 2. <ul style="list-style-type: none"> – Install driver air bag module into the steering wheel to check fit and alignment with the wheel. – Install passenger air bag module into the instrument panel to check fit with the instrument panel. 3. No damage found, reinstall with new bolts coated with bonding agent. 4. If damaged—REPLACE. Install air bag modules with new special bolts coated with bonding agent. Air bag must be deployed before discarding.
Seat belt pre-tensioner assembly	REPLACE Install seat belt pre-tensioner with new bolts.	<ol style="list-style-type: none"> 1. Remove seat belt pre-tensioners. Check harness cover and connectors for damage, terminals for deformities, and harness for binding. 2. Check belts for damage and anchors for loose mounting. 3. Check retractor for smooth operation. 4. If no damage is found, reinstall seat belt pre-tensioner assembly. 5. If damaged—REPLACE. Install the seat belt pre-tensioners with new bolts coated with bonding agent. Seat belt pre-tensioners must be deployed before discarding.
Crash zone sensor	REPLACE the crash zone sensor and bracket with new nuts and bolts coated with bonding agent.	<ol style="list-style-type: none"> 1. Remove the crash zone sensor. Check harness connectors for damage, terminals for deformities, and harness for binding. 2. Check for visible signs of damage (dents, cracks, deformation) of the crash zone sensor and bracket. 3. Install the crash zone sensor to check fit. 4. If no damage is found, reinstall the crash zone sensor with new nuts coated with bonding agent. 5. If damaged—REPLACE the crash zone sensor and bracket with new nuts and bolts coated with bonding agent.
Air bag diagnosis sensor unit	REPLACE Install with new bolts coated with bonding agent.	<ol style="list-style-type: none"> 1. Check case for dents, cracks or deformities. 2. Check connectors for damage, and terminals for deformities. 3. If no damage is found, reinstall with new special bolts and ground bolt coated with bonding agent. 4. If damaged—REPLACE. Install diagnosis sensor unit with new special bolts and ground bolt coated with bonding agent.

COLLISION DIAGNOSIS

Part	SRS is activated	SRS is NOT activated
Steering wheel	<ol style="list-style-type: none"> 1. Visually check steering wheel for deformities. 2. Check harness and connectors for damage, and terminals for deformities. 3. Install air bag module to check fit or alignment with steering wheel. 4. Check steering wheel for excessive free play. 5. If no damage is found, reinstall with new bolts. 6. If damaged—REPLACE. 	
Spiral cable	<ol style="list-style-type: none"> 1. Visually check spiral cable and combination switch for damage. 2. Check connectors and protective tape for damage. 3. Check steering wheel for noise, binding or heavy operation. 4. If no damage is found, reinstall with new bolts. 5. If damaged—REPLACE. 	
Harness and Connectors	<ol style="list-style-type: none"> 1. Check connectors for poor connection, damage, and terminals for deformities. 2. Check harness for binding, chafing, cuts, or deformities. 3. If no damage is found, reinstall the harness and connectors. 4. Damaged—REPLACE damaged harness. Do not attempt to repair, splice or modify any SRS harness. 	
Instrument panel	<ol style="list-style-type: none"> 1. When passenger air bag inflates, check the following points for bending, deformities or cracks. <ul style="list-style-type: none"> – Opening portion for passenger air bag <div style="text-align: center; margin: 10px 0;">  <p>● : Check points</p> </div> <ul style="list-style-type: none"> – Passenger air bag module brackets <div style="text-align: center; margin: 10px 0;">  <p>● : Check points</p> </div> <ul style="list-style-type: none"> – The portions securing the instrument panel <div style="text-align: center; margin: 10px 0;">  </div> 2. If no damage is found, reinstall the instrument panel. 3. If damaged—REPLACE the instrument panel with new bolts. 	

A
B
C
D
E
F
G
I
J
K
L
M

SRS

COLLISION DIAGNOSIS

EHS000LP

For Side Collision

To repair the SRS, perform the following steps.

WHEN SRS IS ACTIVATED IN THE SIDE COLLISION

1. Replace the following components:
 - Side curtain air bag module (on the side on which side curtain air bag is activated)
 - Diagnosis sensor unit
 - (LH and RH) side air bag (satellite) sensors
2. Check the SRS components and the related parts using the table shown below.
 - Replace any SRS components and the related parts showing visible signs of damage (dents, cracks, deformation).
3. Conduct self-diagnosis using CONSULT-II and “AIR BAG” warning lamp. Refer to [SRS-18. "SRS Operation Check"](#) for details. Ensure entire SRS operates properly.

WHEN SRS IS NOT ACTIVATED IN THE SIDE COLLISION

1. Check the SRS components and the related parts using the table shown below.
 - replace any SRS components and any related parts showing visible signs of damage (dents, cracks, deformation).
2. Conduct self-diagnosis using CONSULT-II and “AIR BAG” warning lamp. Refer to [SRS-18. "SRS Operation Check"](#) for details. Ensure entire SRS operates properly.

SRS INSPECTION (FOR SIDE COLLISION)

Part	Side curtain air bag is activated	Side curtain air bag is NOT activated
(LH or RH) side curtain air bag module	Replace the side curtain air bag module. (Repair the center pillar inner, etc. before installing new one if damaged.)	<ol style="list-style-type: none"> 1. Check for visible signs of damage (dents, tears, deformation) of the center pillar on the collision side. 2. If damaged— Remove the side curtain air bag module. 3. Check for visible signs of damaged (tears etc.) of the side curtain air bag module. 4. Check harness and connectors for damage, and terminals for deformities. 5. If no damage is found, reinstall the side curtain air bag module with new bolts. 6. If damaged—REPLACE the side curtain air bag module with new bolts. Air bag modules must be deployed before disposal.
(LH or RH) side air bag (satellite) sensor	REPLACE the side air bag (satellite) sensor on the collision side with new nuts. (Repair the center pillar inner, etc. before installing new one if damaged.)	<ol style="list-style-type: none"> 1. Remove the side air bag (satellite) sensor on the collision side. Check harness connectors for damage, terminals for deformities, and harness for binding. 2. Check for visible signs of damage (dents, cracks, deformation) of the side air bag (satellite) sensor. 3. Install the side air bag (satellite) sensor to check fit. 4. If no damage is found, reinstall the side sir bag (satellite) sensor with new nuts. 5. If damaged—REPLACE the side air bag (satellite) sensor with new nuts.
Diagnosis sensor unit	REPLACE the diagnosis sensor unit with the new bolts.	<ol style="list-style-type: none"> 1. Check case and bracket for dents, cracks or deformities. 2. Check connectors for damage, and terminals for deformities. 3. If no damage is found, reinstall the diagnosis sensor unit with new bolts and ground bolt. 4. If damaged—REPLACE the diagnosis sensor unit with new bolts and ground bolt.

COLLISION DIAGNOSIS

Part	Side curtain air bag is activated	Side curtain air bag is NOT activated	A
Seat belt pre-tensioner assembly	1. Check if the seat belt can be extended smoothly. If the seat belt cannot be extended smoothly, <ul style="list-style-type: none"> – Check for deformities of the center pillar inner. – If the center pillar inner has no damage, REPLACE the seat belt pre-tensioner assembly. 2. Remove the seat belt pre-tensioner assembly on the collision side. Check harness cover and connectors for damage, terminals for deformities, and harness for binding. 3. Check for visible signs of damage (dents, cracks, deformation) of the seat belt pre-tensioner assembly. 4. Check seat belt adjuster for damage. 5. If no damage is found, reinstall the seat belt pre-tensioner assembly. 6. If damaged—REPLACE the seat belt pre-tensioner assembly with new bolts. The seat belt pre-tensioner assembly must be deployed before disposing of it.		B C D
Center inner pillar	1. Check the center inner pillar on the collision side for damage (dents, cracks, deformation). 2. If damaged—REPAIR the center inner pillar.		E
Trim/headliner	1. Check for visible signs of damage (dents, cracks, deformation) of the interior trim on the collision side. 2. If damaged—REPLACE the damaged trim parts.		F

G

SRS

I

J

K

L

M

COLLISION DIAGNOSIS
